



## DTE-SX-F-W6

## 150W



### Electrical specifications

- 3-prong IEC320-C14 AC inlet, Class I
- Output voltage range from +12V to +52V
- Meet DOE level VI and EU tier 2 Efficiency requirements
- No load Power consumption < 150mW
- 3 year warranty
- **Non Standard Available Voltages:**  
12-14V, 15-26V, 33-39V and 44-52V
- Meets standard UL 62368

MODEL/CHANNEL		Unit	DTE150-12SX-F-W6	DTE150-16SX-F-W6	DTE150-19SX-F-W6	DTE150-24SX-F-W6	DTE150-36SX-F-W6	DTE150-48SX-F-W6
<b>OUTPUT</b>	Nominal Voltage	V	12	16	19	24	36	48
	Nominal Current	A	11.67	9.38	7.9	6.25	4.17	3.13
	Output Power	W	150	150	150	150	150	150
	Ripple & Noise Max	mV	240	320	380	480	480	480
	Efficiency Level	%	±5%	±5%	±5%	±3%	±3%	±3%
	Power Factor	VAC	> 0.95 @115VAC; > 0.90 @230VAC @full load					
<b>INPUT</b>	Input Voltage Range	V	90 - 264VAC					
	Input Current(rms):	%	2.5A @90VAC; 1.25A @264VAC max.					
	Efficiency	%	> 89% @average load, 115/230VAC					
<b>Efficiency</b>	Input range	VAC	90 - 264VAC					
	Frequency	Hz	47 - 63Hz					
	Power Factor	VAC	> 0.95 @115VAC; > 0.90 @230VAC @full load					
	Inrush current	VAC	< 75A peak @115VAC; < 150A peak @230VAC cold start @25°C					
	Input current (rms)	VAC	2.5A @90VAC; 1.25A @264VAC max.					
	Maximum output power (Po)	W	150Watts					
	Over Voltage Protection	-	Shutdown and latch off, AC recycle					
	Hold-up time	VAC	> 16ms typical @full load, 115VAC					
<b>Dimension</b>	Size(WxHxD) / Weight	mm/g	L170 x W85 x H44 mm ( 6.69" x 3.35" x 1.73")/0.78 kgs. ( 1.72 lbs. )					



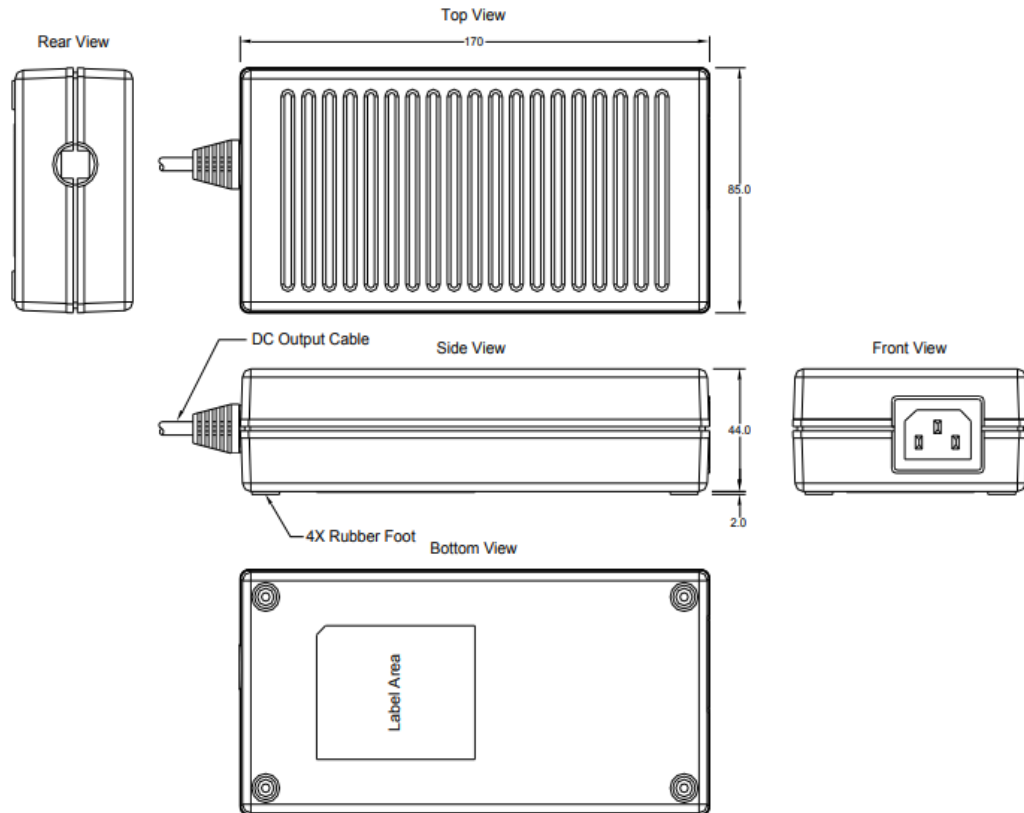


## DTE-SX-F-W6

## 150W

Environmental Specification	
Operating Temperature	0 to +40°C
Storage Temperature	-10 to +85°C
MTBF demonstrated	>80,000 hours at full load and 25°C ambient temperature
Environmental Agencies	
Safety Standards	UL 62368-1    TUV EN62368-1    CB IEC 62368-1
EMC Standards	FCC Class B    EN 55032 Class B    EN 55035    CE
Protection	
Short circuit protection	Auto Recover
Over Load Protection	Auto Recover
Over Voltage Protection	Shutdown and latch off, AC recycle
Mechanical	
	AC Input: IEC 320-C14

## Dimension Diagrams (in mm)



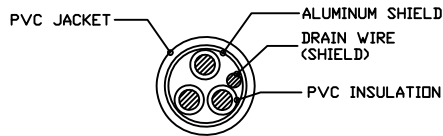


# ETA-USA

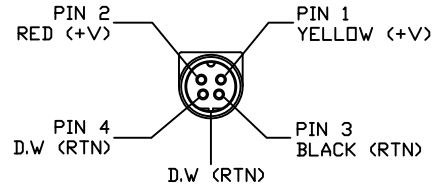
The Power Professionals

## Drawings

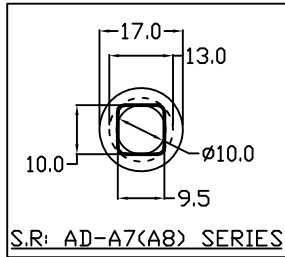
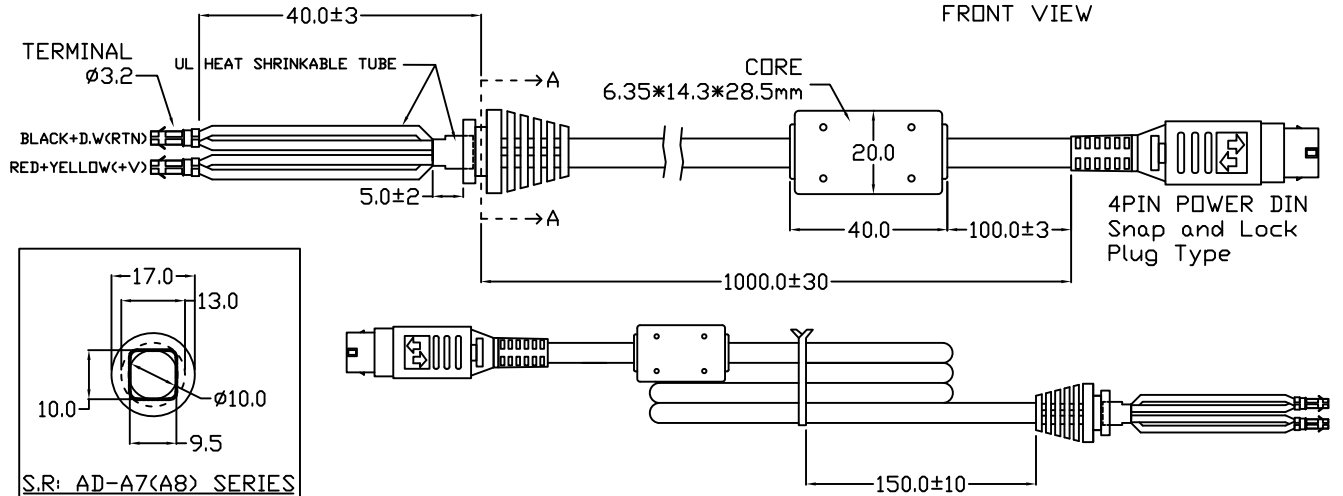
## 150W



[2464#16AWG 3C+1]  
SECTIONAL DRAWING



4P POWER DIN  
FRONT VIEW



S.R: AD-A7(A8) SERIES

SECTION A-A



# ETA-USA

16170 Vineyard Blvd. Suite 180 Morgan Hill, CA 95037 <http://www.eta-usa.com>  
Toll-free (US only): 800-ETA-POWR (800-382-7697) Telephone: 408 778-2793 FAX: 408-779-2753