



DTL65-SX-WL6

65W



FEATURES:

- 3-pole IEC320-C6 and 2-pole C8 AC inlet available
- Meet Efficiency level VI & Erp Tier 2 requirements
- No load Power consumption < 150mW
- Power on LED indicator
- 3 year warranty
- LPS



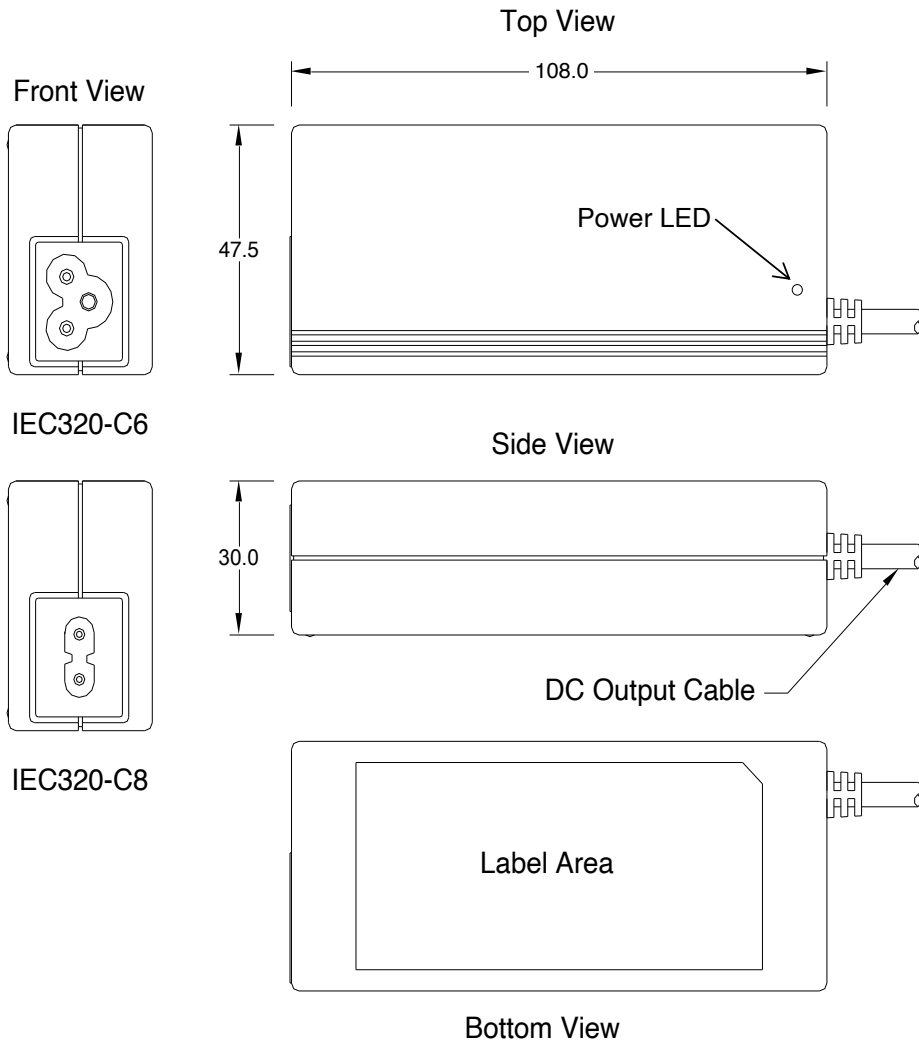
MODEL/CHANNEL		Unit	DTL65-12 SX-WL6	DTL65-15 SX-WL6	DTL65-19 SX-WL6	DTL65-24 SX-WL6	DTL65-28 SX-WL6	DTL65-48 SX-WL6	
OUTPUT	Output Voltage	Vdc	12	15	19	24	28	48	
	Output Current	A	5	4	3.42	2.71	2.32	1.35	
	LPS (Limit Power Sources)	-	√	√	√	√	√	√	
	O/P Regulation	%	±5%			±3%			
	PO	W	60W			65W			
	Ripple & Noise(max) *3	mV	150mV						
INPUT	Input Voltage	Vac	90 - 264VAC						
	Input Current	A	2A @90VAC; 1A @264VAC max.						
	Input Frequency	Hz	47 - 63Hz						
	Inrush Current	-	< 45A peak @115VAC; < 90A peak @230VAC cold start @25°C						
	Efficiency (typical) *2	mA	> 89% @average Load, 115/230VAC						
	Hold On Time	-	> 10ms typical @full load, 115VAC						
Protection	Over Load Protection	-	Auto-recovery						
	Over Voltage Protection	-	Latch off						
	Short circuit protection	-	Auto-recovery						
Environmental Agencies	Safety	-	UL 60950-1 UL 62368-1 TUV EN60950-1 TUV EN62368-1 CB IEC 60950-1 CB IEC 62368-1						
	EMC Standards	-	EN 55032 Class B		EN 55024		FCC Part15 Class B		CE
	MTBF	-	> 200,000 hours at full load and 25°C ambient temperature						
Environment	Operating Temperature	-	-20 to +70°C (Derate linearly 2.5% per °C from 41 to 70°C)						
	Operating Humidity	-	10% ~ 90%						
	Storage Temperature	-	-20°C to +85°C						
Dimension	Size(WxHxD) / Weight	mm/g	L108 x W47.5 x H30 mm / 235 gs						





MECHANICAL DIMENSIONS

65W



- Note:
1. AC Inlet : IEC320-C6 or IEC320-C8
 2. Plastic Case Color : Black
 3. Tolerance : $\pm 0.5\text{mm}$
 4. Unit : mm

