



CHHS-OBN SERIES Dual Output 1400W AC/DC Power Supply



IP 67 Outdoor/ User Serviceable
With Mountable Heatsink

Designed to operate 2 independent 700W 48VDC Outputs through a shared AC input line. This user serviceable design has a large emergency power off switch for in field serviceability. Supply is conduction cooled and can be installed independently or with an ETA designed mountable heat sink.



UNIT			
INPUT	Voltage/Freq	V	AC 100(95-264) 50/60 Hz (47-63)
	Current Typ.	A	17.2A~8.2A
	Power Factor	-	0.93-0.96
	Inrush Current	A	27A max at 264VAC
	Leakage Current	mA	3 max

OUTPUT	Unit	Output 1				Output 2			
		12	24	28	48	12	24	28	48
Nominal Voltage	VDC	12	24	28	48	12	24	28	48
Efficiency [110 VAC]	%	84	86	86	87	84	86	86	87
		[220 VAC]	85	88	88	90	85	88	88
Current	A	58.4	29.1	25	14.6	58.4	29.1	25	14.6
Rated Power	W	700.8				700.8			
Line Regulation	%	<1 max				<1 max			
Load Regulation	%	<1.5 max				<1.5 max			
Ripple	% p-p	<1 max				<1 max			
Ripple Noise	% p-p	<1 max				<1 max			
Temperature Drift	%	<0.5 max				<0.5 max			
Insulation And Dielectric	Primary-Secondary	4242 VDC (3000 VAC)							
	Primary to Ground	>1,500 VDC for 30 seconds							
	Output to Ground	>100MΩ at 25°C, 40%RH & 500VDC							

- Ripple and noise are measured at oscilloscope 20MHz bandwidth by a 10uF electrolytic capacitor and a 0.1uF ceramic capacitor in parallel at output connector.
- Standards: Unit has been designed to meet the standards listed. It is the responsibility of the customer to test in system. Conducted emissions using shielded 3 conductor cable (L,N,G) with unit mounted to chassis ground.



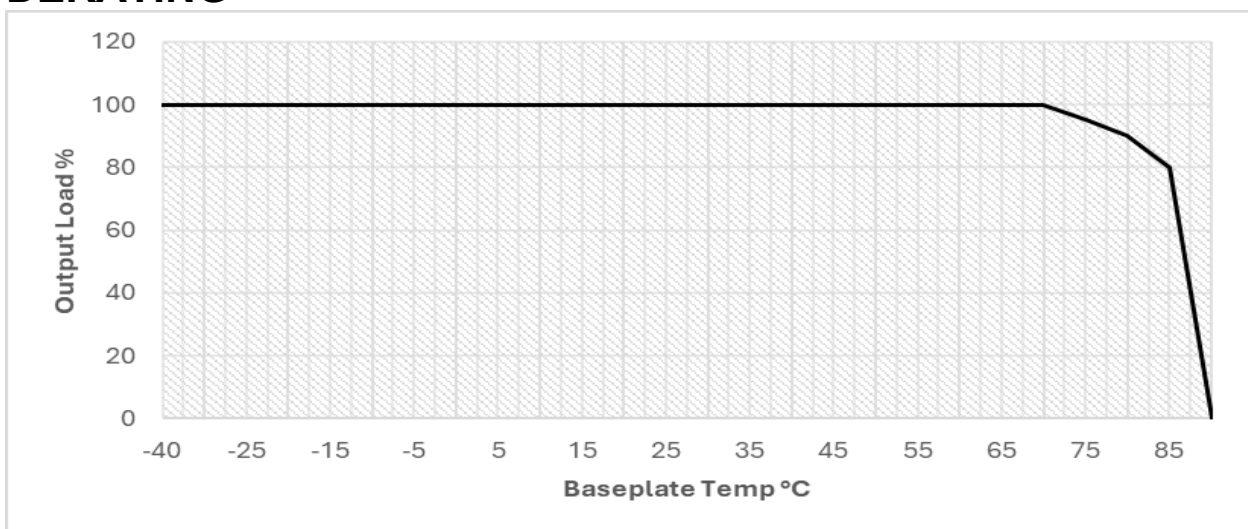


Protection	Over Voltage	Shutdown and latch off; AC recycle to restart
	Over Current	Constant current to Hiccup, Auto recovery
	Short Circuit	Over temperature
Environment	Over Temperature	Output shutoff until base plate temp reaches 85°C, Thermal cutoff is 85~90°C (measured at baseplate). Power recycle to restart
	Operating temp	-40 to +100C at 3,000 Meters or 10,000 Feet
	Operating Humidity	10~95% RH
	Storage Temp	-40 to +100C at 9,000 Meters or 30,000 Feet
	Shock	MIL-STD810H, Method 514.8, Category 24, Figure 514.8E-1.
Standards	Vibration	MIL-STD-810H, Procedure 1, 20G 11ms
	Safety	Meets UL 60950-1 2nd Ed AM1+AM2
	EMC	Meets IEC61000-3-2 (Class A) CONDUCTED: EN55022 (CISPR22) / EN55011 (CISPR11) Class B RADIATED: EN55022 (CISPR22) / EN55011 (CISPR11) Class A
	MTBF	>250,000 hrs.@ 40C ambient temp.
	Telecordia SR-22	
Enclosure	Size/weight	See below; 4.5kg/9.5 lbs w/out heatsink; 11kg/24 lbs w/ heatsink

Additional Functions	
AC On LED	Amber
Power Good LED	Green
Emergency Power Off	Push to Power off/Twist to turn on
Included parts	Heatsink P/N: 400-858-1008 2X DC Output Cable 3C 16 AWG, 2 meters/6 ft

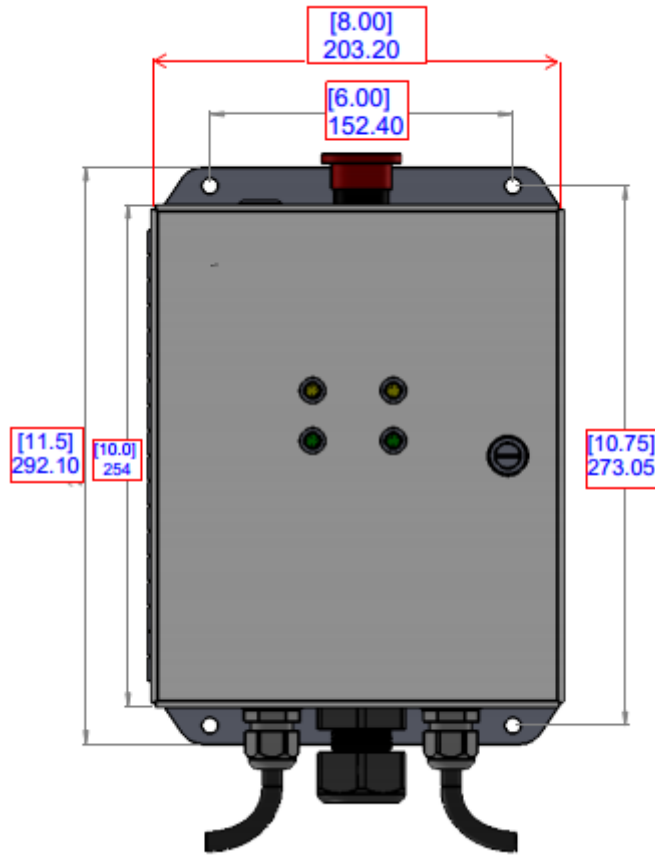
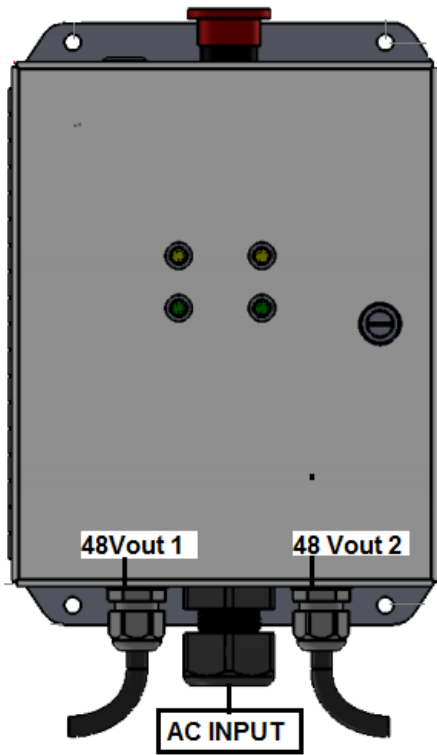
Part No. System
CH-OBN-AC __[Voltage 1] [Voltage 2]
<i>Voltage 1 can be 12, 24, 28, 48; Voltage 2 can be 12, 24, 28, 48</i>

DERATING





Dimensional Drawing

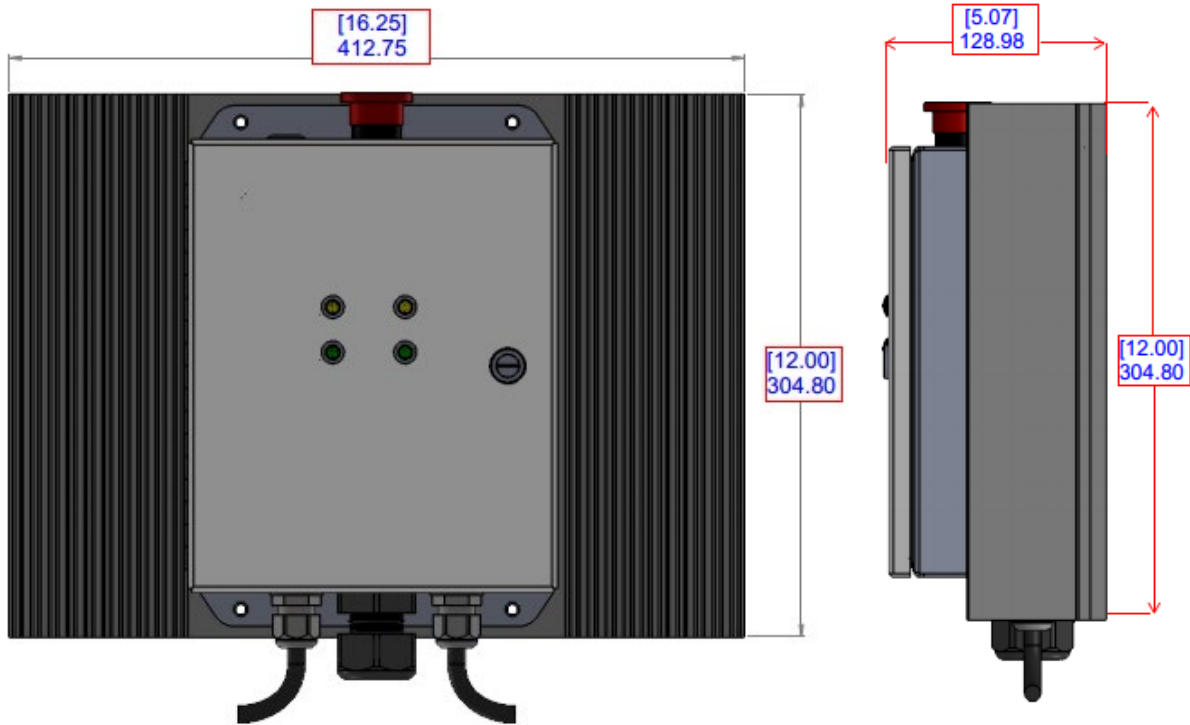


[inches]
Millimeters





With ETA Heatsink 400-858-1008



[inches]
Millimeters

