



ZMB-SX-W

60W Open Frame



FEATURES:

- Special orders are available for the following:
 - 40 Watts: 6 and 7 Volts
 - 60 Watts: 11, 13, 14, 16, and 17 Volts
 - 65 Watts: 26, 33, 34, 35, 37, 38, 39, 44, 45, 46, 47, 49, 50, 51, and 52 Volts
- Please look at the product listing below for specifications.



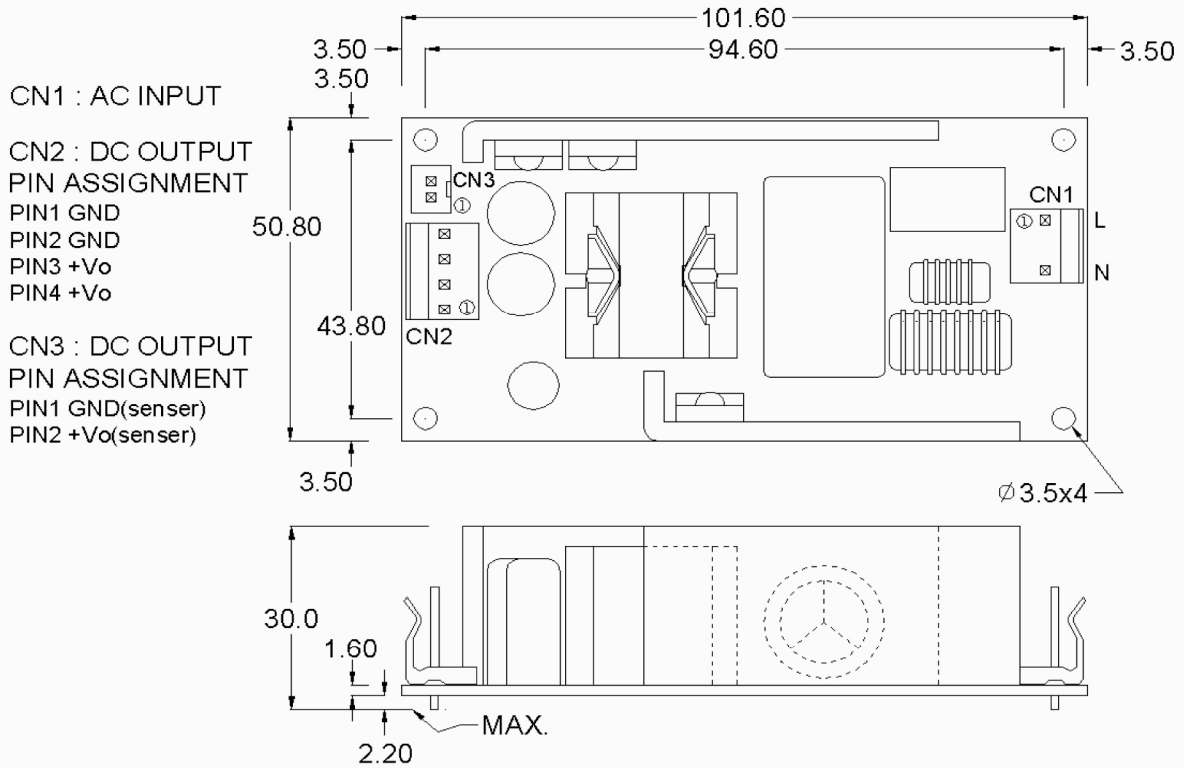
	MODEL/CHANNEL	Unit	ZMB60-05SX-W	ZMB60-12SX-W	ZMB60-15SX-W	ZMB60-19SX-W	ZMB60-24SX-W	ZMB60-36SX-W	ZMB60-48SX-W
OUTPUT	Output Voltage	Vdc	5	12	15	19	24	36	48
	Output Current	A	8	5	4	3.43	2.71	1.81	1.36
	Voltage Tolerance	V	40	60	60	65	65	65	65
	Ripple and Noise(max.) *3	mV	50	120	150	190	240	360	480
	Hold-up time	mS	10ms (typ.) at full load and 115VAC						
INPUT	Input Voltage	Vac	90-264VAC						
	Input Current	A	2A max. @115VAC						
	Input Frequency	Hz	47-63Hz						
	Inrush Current *1	A	<40A peak @ 115VAC <80A peak @ 230VAC (Cold start @25°C)*						
	Efficiency (typical) *2	[mA]	80%@ full load						
Protection	Over current Protection	-	Over load 120% to 180% with automatic recover						
	Over voltage Protection	-	Output 10 to 30% above nominal with auto recover						
	Remote Sense	-	not available						
	Short circuit protection	-	Auto Recover						
	Remote On/Off	-	not available						
	Power Fail Detection	-	not available						
Environmental Agencies	Line Conducted Noise	-	FCC Part 18 Class B EN60601-1-2 EN55011 Class B						
	Line Harmonic Distortion	-	IEC61000-3-2						
	Safety	-	TUV: EN60601-1 CB: IEC60601-1						
	MTBF	-	>100,000 hours at full load and 25°C ambient temp.						
	Environment	Operating Temperature	-	-10 to +50°C with 2.5% derating/°C from +50 to +70°C					
Operating Humidity		-	20~90% RH(non-condensing)						
Storage Temperature		-	-10 to +70°C						
Storage Humidity		-	less than 90%/RH(non-condensing)						
Cooling		-	Convection						
Temp. coefficient		-	±0.04%/°C						
Dimension	Size(WxHxD) / Weight	mm/g	101.6L x 50.8W x 30H						





Dimension Diagram (mm)

60W



Dimension: L101.6 x W50.8 x H30mm UNIT : mm

MATCHING CONNECTORS

CN1 = AC INPUT MOLEX P/N: 09-65-2029 (OR EQUIVALENT) FEMALE HOUSING MOLEX P/N: 09-76-1020 (OR EQUIVALENT)
 CN2 = DC Output MOLEX P/N: 09-65-2048 (OR EQUIVALENT) FEMALE HOUSING MOLEX P/N: 09-52-4044 (OR EQUIVALENT)





Special Order

	MODEL/CHANNEL	Unit	ZMB60-06SX-W	ZMB60-07SX-W	ZMB60-11SX-W	ZMB60-13SX-W	ZMB60-14SX-W	ZMB60-16SX-W	ZMB60-17SX-W
OUTPUT	Output Voltage	Vdc	6	7	15	13	14	16	17
	Output Current	A	6.67	5.72	5.46	4.62	4.29	3.75	3.53
	Voltage Tolerance	V	40	40	60	60	60	60	60
	Ripple and Noise(max.) *3	mV	60	70	110	120	140	160	170
	Hold-up time	mS	10ms (typ.) at full load and 115VAC						
	MODEL/CHANNEL	Unit	ZMB60-26SX-W	ZMB60-33SX-W	ZMB60-34SX-W	ZMB60-35SX-W	ZMB60-37SX-W	ZMB60-38SX-W	ZMB60-39SX-W
OUTPUT	Output Voltage	Vdc	6	7	15	13	14	16	17
	Output Current	A	2.5	1.97	1.92	1.86	1.76	1.72	1.67
	Voltage Tolerance	V	65	65	65	65	65	65	65
	Ripple and Noise(max.) *3	mV	60	330	340	350	370	380	390
	Hold-up time	mS	10ms (typ.) at full load and 115VAC						
	MODEL/CHANNEL	Unit	ZMB60-44SX-W	ZMB60-45SX-W	ZMB60-46SX-W	ZMB60-47SX-W	ZMB60-49SX-W	ZMB60-50SX-W	ZMB60-51SX-W
OUTPUT	Output Voltage	Vdc	6	7	15	13	14	16	17
	Output Current	A	1.48	1.45	1.42	1.39	1.33	1.3	1.28
	Voltage Tolerance	V	65	65	65	65	65	65	65
	Ripple and Noise(max.) *3	mV	440	450	460	470	490	500	510
	Hold-up time	mS	10ms (typ.) at full load and 115VAC						
	MODEL/CHANNEL	Unit	ZMB60-52SX-W						
OUTPUT	Output Voltage	Vdc	52						
	Output Current	A	1.25						
	Voltage Tolerance	V	65						
	Ripple and Noise(max.) *3	mV	520						
	Hold-up time	mS	10ms (typ.) at full load and 115VAC						

