



## MDA-SX-W-II

## 24W



### FEATURES:

- High Reliability
- 100% BURN-IN Tested
- 100% Hi-Pot tested
- Safety Approvals, EMC compliance
- Interchangeable AC clips
- Meets CEC, ERP, EISA, and Energy Star Level V requirements
- No load power consumption <300mW
- Short circuit, over load, over voltage protection



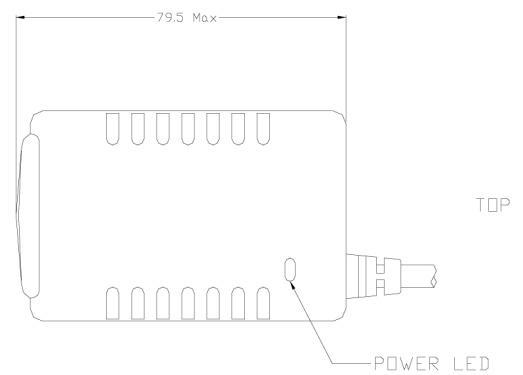
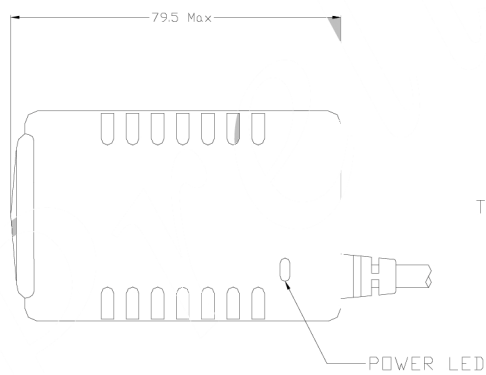
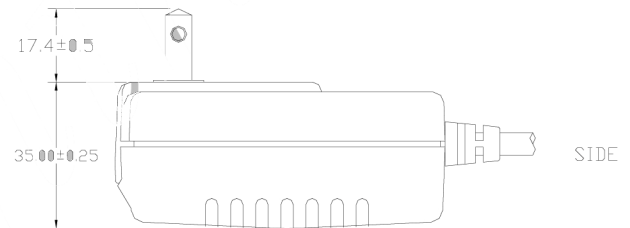
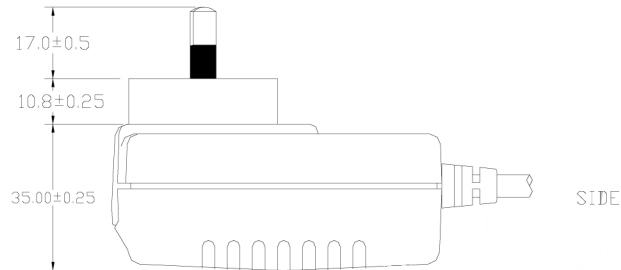
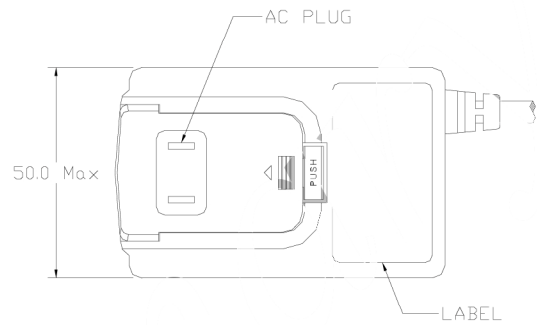
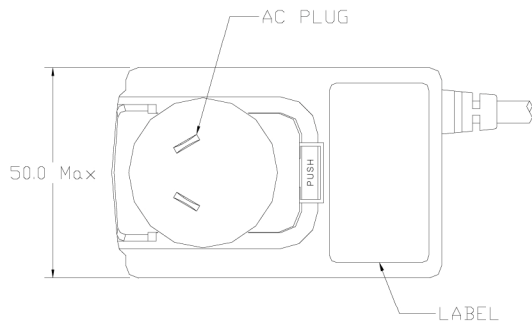
MODEL/CHANNEL		Unit	MDA24-05SX-W-II	MDA24-09SX-W-II	MDA24-12SX-W-II	MDA24-16SX-W-II	MDA24-18SX-W-II	MDA24-24SX-W-II
OUTPUT	Output Voltage	Vdc	5	5	12	16	18	24
	Output Current	A	3	2.66	2	1.5	1.34	1
	Ripple and Noise(max.) *3	mV	50	50	120	160	180	240
MODEL/CHANNEL		Unit	MDA24-36SX-W-II			MDA24-48SX-W-II		
OUTPUT	Output Voltage	Vdc	36			48		
	Output Current	A	0.67			0.5		
	Ripple and Noise(max.) *3	mV	360			480		
	Hold Up Time	mS	>10 mS typical					
	Voltage Adjustments	%	±5% of Rated Output Voltage(at no load within the input range)					
	Voltage Regulations	-	+5%/-3%					
INPUT	Input Voltage	Vac	90~264VAC					
	Input Frequency	Hz	0.7A max. @ 90VAC		47~63Hz		1%	
	Efficiency	%	0.35A max. @ 264VAC					
Protection	Over Current Protection	-	Auto-recover					
	Over Voltage Protection	-	Latch, AC recycle					
	Short Circuit Protection	-	Auto-recover					
Environmental Agencies	Safety Standard	-	UL 60601-1 CSA-C22.2 No.601.1-M90		NEMKO EN60601-1		CB IEC 60601-1	
	EMC Standard	-	FCC Part 18Class B		EN55011 Class B		EN 60601-1-2 Class B CE	
Environment	Operating Temperature	-	-20°C to +40°C					
	Storage Temperature	-	-20°C to +85°C					
	Humidity	%	20~90%					
	MTBF demonstrated	-	>150,000 hours at full load and 25°C ambient temperature					
Dimension	Size(WxHxD) / Weight	mm/g	L80.0mmxW50.0xH35.0mm					





## Option : Australia Type

## Option : American Type





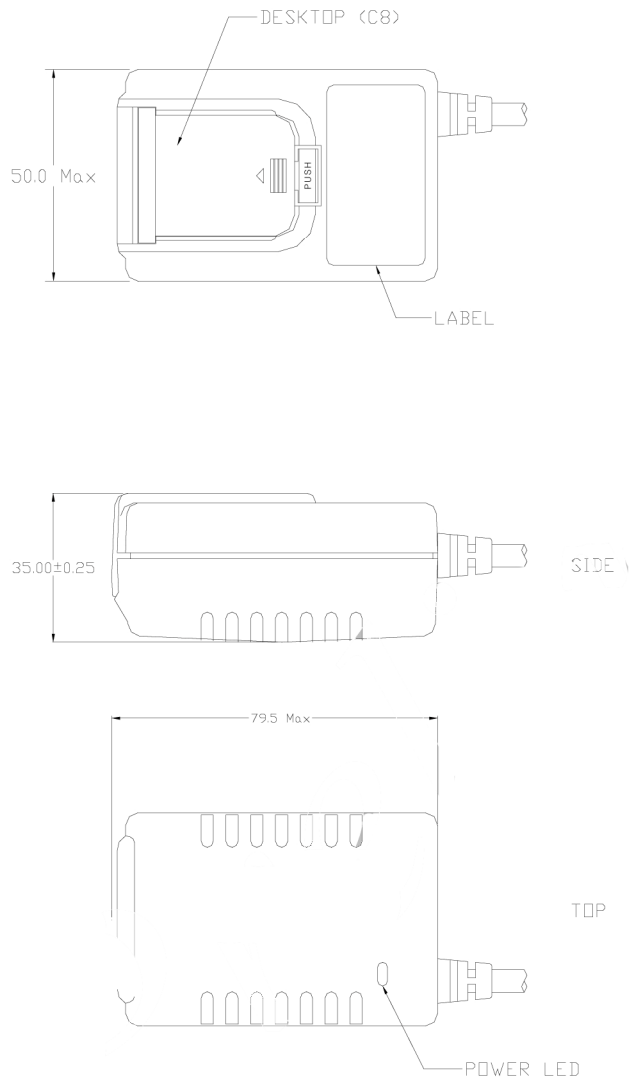
# ETA-USA

The Power Professionals

Dimension Diagram (mm)

24W

## Option : C8



# ETA-USA

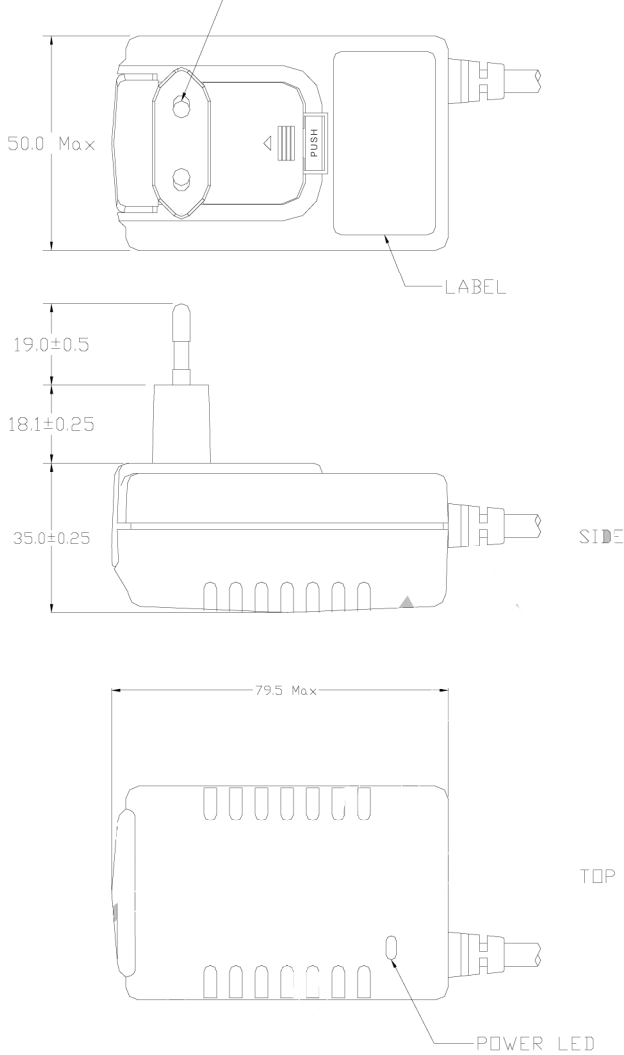
16170 Vineyard Blvd. Suite 180 Morgan Hill, CA 95037 <http://www.eta-usa.com>  
Toll-free (US only): 800-ETA-POWR (800-382-7697) Telephone: 408 778-2793 FAX: 408-779-2753



## Dimension Diagram (mm)

60W

### Option : European Type



### Option : UK Type

