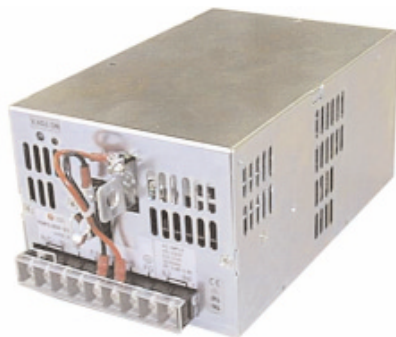




FHP-SX

450W Open Frame



FEATURES

- Compatibility type of PIN in the power supply unit market
- Realized wide range input(Ultra wide input)
- **Isolated Power Supply**



MODEL/CHANNEL		Unit	FHP3.3SX-U	FHP05SX-U	FHP06SX-U	FHP12SX-U	FHP15SX-U	
OUTPUT	Voltage	V	3.3	5	6	12	15	
	Current	A	90	90	75	40	32	
	Efficiency	%	68	70	71	75	78	
MODEL/CHANNEL		Unit	FHP24SX-U	FHP30SX-U	FHP36SX-U	FHP48SX-U		
OUTPUT	Voltage	V	24	30	36	48		
	Current	A	20	16	13	10		
	Efficiency	%	79	77	79	80		
	Load Regulation max.	mV	0.5%MAX					
	Hold Up Time	mS	20mS Typ					
	Rise Up Time	mS	300mS/150mS(Input 115V/230VAC)					
	Drift	mV	(Output V X 0.5%)+15mV/8H (After 1 H)					
	Ripple and Noise(max.)	mVp	(Output V x 1%)+100mVp-p MAX(1)					
	Temperature Coefficient	-	0.03% / °C(-5~50°C)					
MODEL/CHANNEL		Unit						
INPUT	Full Load	mA	4.9A/2.3A(Input 115VAC/230VAC)					
	Inrush Current	Vac	10A/20A MAX(Input 115VAC/230VAC)					
	Voltage Nominal	V	AC115~230V (Wide range)					
	Frequency	Hz	50/60Hz					
	Power Factor and Harmonic	-	85~255VAC					
	Phase	%	Single					
	Input Voltage Range	Vdc	85~264VAC					



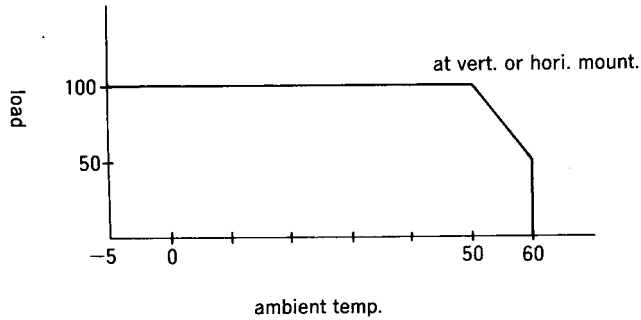


	MODEL/CHANNEL	Unit	
Environment	Operating Temperature	°C	-20~+85°C
	Leakage Current	-	0.24mA Typ/0.6mA Typ (Input 115VAC/230VAC)
	Operating Humidity	%	(5~10Hz) Amplitude (peak to peak)
	Storage Temperature	°C	10~85%
	Withstanding Voltage	-	130KHz
	Input-Output	-	AC3000V(1Minute)
	Input-Chassis	-	AC2500V
	Output-Chassis	-	AC 500V (1 minute)
	Switching Frequency	-	Possible
	Shock	-	30G (3)
	Remote Control Sensing	-	Possible
	Vibration	-	10mm(constant) (10~55Hz) Acceleraton 2G (3)
Function	Overvoltage Protection	-	Automatic reset
	Overcurrent Protection	-	Output shutdown
	Input Fuse	-	Active filter circuit with booster
	Insulation Resistance	-	(Input-Output-Chassis): 50M MIN.
	Remote Control	-	Output normal by short or L (0~0.4V) Output shutdown by open or H (1~6V) Input current shall be less than 0.1 (A) while
	Remote Sensing	-	Remove attached ± short piece and connect with load by using twist pair wire. While doing above, voltage drop shall be less than 0.3V (one line 0.15V).
Dimension	Size(WxHxD) / Weight	mm/g	120X190X93/2100



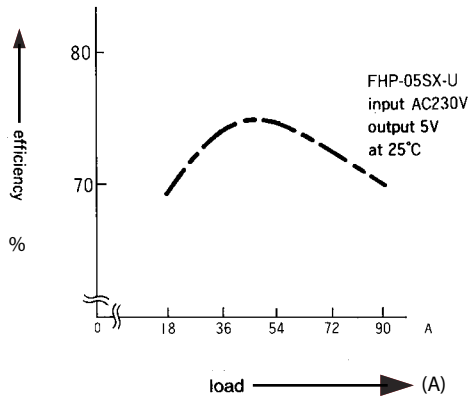
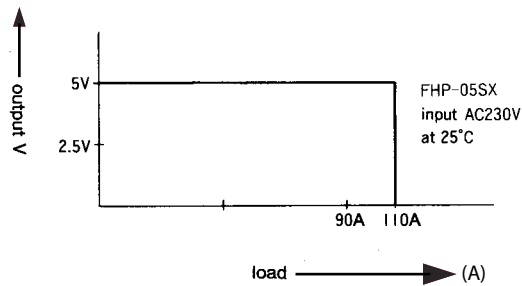


Derating Curve



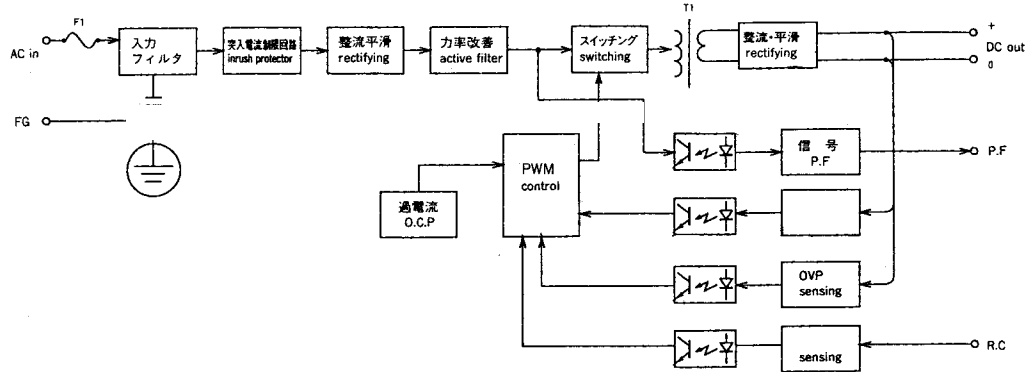
for further information contact safety approvals.

OCP Curves

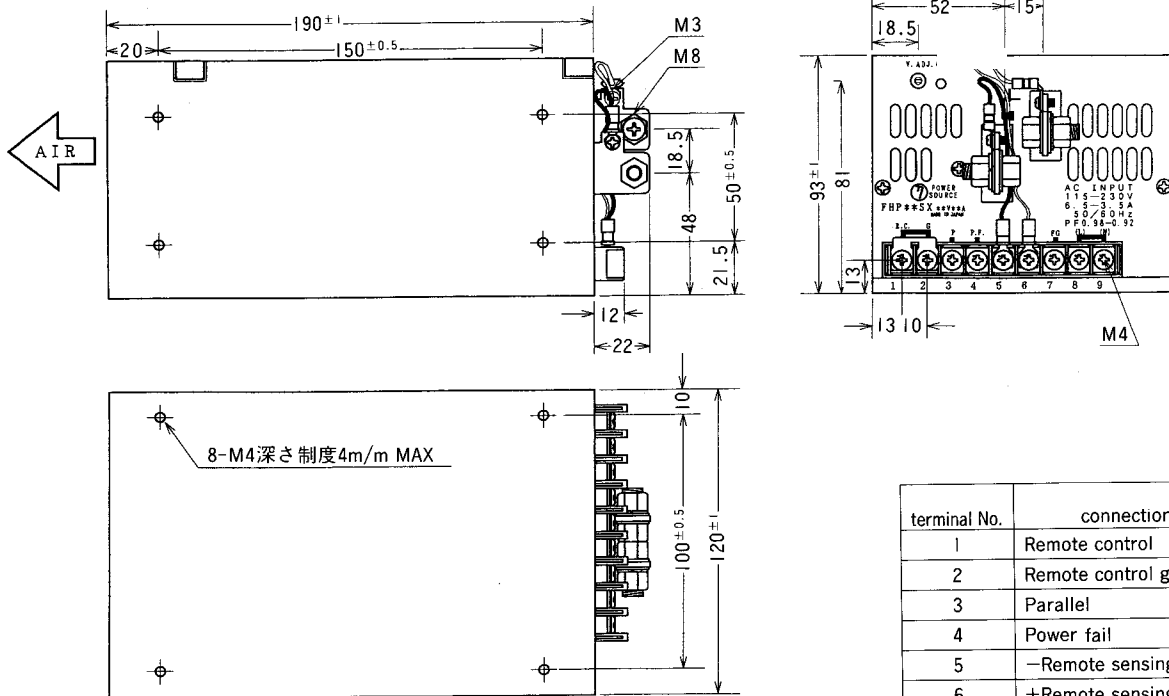




Block Diagram



Block Diagram



terminal No.	connection
1	Remote control
2	Remote control ground
3	Parallel
4	Power fail
5	-Remote sensing
6	+Remote sensing
7	Frame ground
8	AC-line
9	AC-neutral

