



VTA-SC/D

25W



FEATURES

- Variety of Models
- Chassis mount type
- Compact and High Efficiency
- Single Output

MODEL/CHANNEL		Unit	VTA05-S-C/D	VTA12-S-C/D	VTA15-S-C/D	VTA24-S-C/D	VTA48-S-C/D
OUTPUT	Output Voltage	Vdc	5	12	15	24	48
	Output Current	A	5	2.1	1.7	1.1	0.5
	Line Regulation	mV	40	96	120	192	384
	Load Regulation	mVp	45	108	135	216	432
	Ripple and Noise	mVp	100	170	200	290	530
	Drift	mV	40	75	90	135	255
	Dynamic Load Regulation	mV	150	360	450	720	1440
	Voltage Adjustment Range	-	+/-10% of Rated Output Voltage(at no load within input range)				
	Rise Up Time	mS	100mS(maximum) at 25°C and rated input/output				
	Temp. Coefficient	°C	0.03%/°C				
	Recovery Time	mS	0.5mS				
	Hold Up Time	mS	10mS				
MODEL/CHANNEL		Unit	VTA05-SC12	VTA12-SC12	VTA15-SC12	VTA24-SC12	VTA48-SC12
INPUT	Input Voltage 12V	Vdc	DC 12V				
	Input Voltage Range	Vdc	DC 9.2V-16V				
	Input Current	A	2.9	2.92	2.87	3	2.63
	Efficiency	%	72	72	74	73	76
	MTBF	-	880,000				
	Switching Frequency	-	60 Fix				





VTA-SC/D

25W

MODEL/CHANNEL	Unit	VTA05-SC24	VTA12-SC24	VTA15-SC24	VTA24-SC24	VTA48-SC24
Input Voltage 24V	Vdc	DC 24V				
Input Voltage Range	Vdc	DC 19-32V				
Input Current	A	1.34	1.33	1.36	1.34	1.28
Efficiency	%	75	78	79	78	82
MTBF	-	880,000				
Switching Frequency	-	60 Fix				

MODEL/CHANNEL	Unit	VTA05-SC48	VTA12-SC48	VTA15-SC48	VTA24-SC48	VTA48-SC48
Input Voltage 48V	Vdc	DC 48V				
Input Voltage Range	Vdc	DC 38-63V				
Input Current	A	0.68	0.66	0.65	0.67	0.6
Efficiency	%	78	80	82	82	84
MTBF	-	860,000				
Switching Frequency	-	60 Fix				

MODEL/CHANNEL	Unit	VTA05-SD	VTA12-SD	VTA15-SD	VTA24-SD	VTA48-SD
Input Voltage 110V	Vdc	DC 110V				
Input Voltage Range	Vdc	DC 85-140V				
Input Current	A	0.3	0.29	0.3	0.3	0.28
Efficiency	%	76	78	78	78	78
MTBF	-	790,000				
Switching Frequency	-	80 Fix				

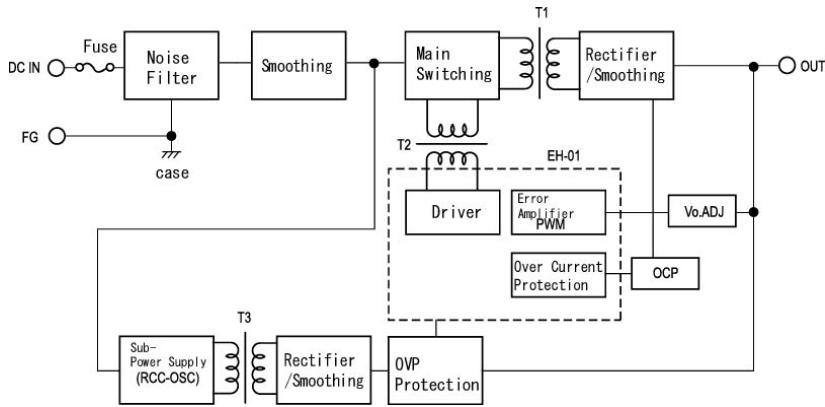
MODEL/CHANNEL	Unit					
---------------	------	--	--	--	--	--

Environment	Operating Temperature	°C	0 to +50°C			
	Operating Humidity	%	85%RH(non-condensing)			
	Storage Temperature	°C	-20 to +85°C			
	Withstand Voltage	%	Primary-Secondary AC1,500Vfor 1minute (Vin=110 2000) Primary-Frame Ground AC1,500V for 1minute (Vin=110 2000) Secondary-Frame Ground AC500V for 1minute			
	Isolation Resistance	-	Primary-Secondary-Frame Ground 50MΩ(minimum) by DC500V insulation tester			
	Shock	-	294m/s ²			
	Cooling	-	Convection			
	Vibration	-	5-10Hz:10mm double amplitude,10-55Hz:19.6m/s ² ,20minutes' period for 60minutes each along X,Y,Z axes(non-operating)			
Protection	Over Current Protection	A	Current Limiting with automatic recovery			
	Over Voltage Protection	-	Output shutdown			
	Reverse Voltage Protection	-	by internal fuse			
Dimension	Size(WxHxD) / Weight	mm/g	85W x 135L x 31H/380g			

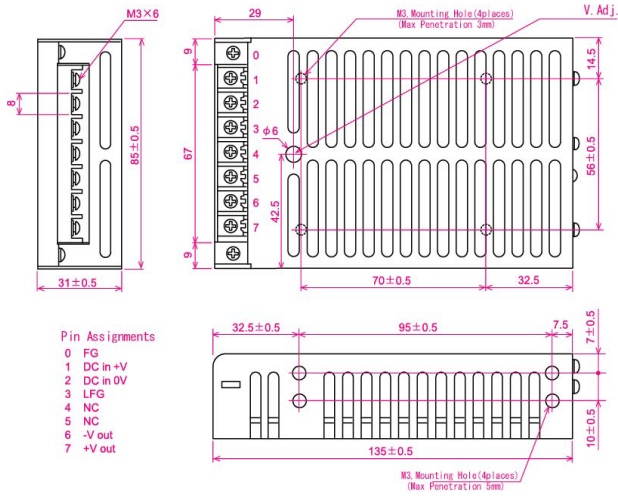




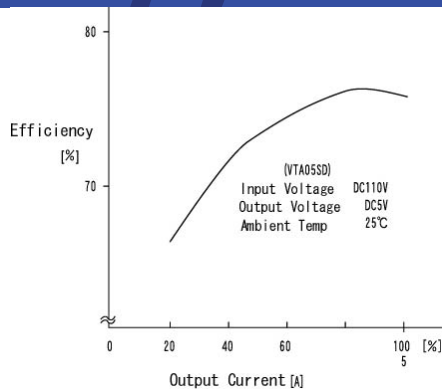
Block Diagram



Dimension Diagram



Efficiency Curve



OCP Curve

