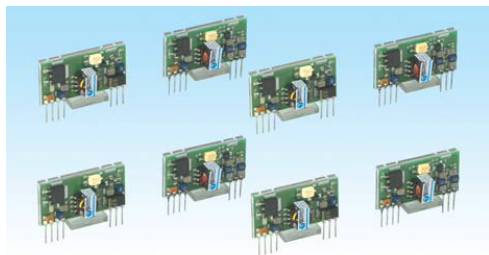




OTQ-SC/WC

3W Open Frame



FEATURES

- Compatibility type of PIN in the power supply unit market
- Realized wide range input (Ultra wide input)
- **Isolated Power Supply**



MODEL/CHANNEL		Unit	OTQ05SC	OTQ12SC	OTQ15SC	OTQ24SC	OTQ22WC	OTQ23WC	
OUTPUT	Output Voltage	Vdc	5	12	15	24	±12	±15	
	Output Current	A	0.5	0.26	0.2	0.13	0.13	0.1	
	Line Regulation max.	mV	25	60	75	120	60	75	
	Load Regulation max.	mV	25	60	75	120	60	75	
	Dynamic Line	mV	200	480	600	960	600	750	
	Dynamic Load	mV	200	480	600	960	600	750	
	Voltage Tolerance	mV	150	360	450	720	360	450	
	Drift	mV	40	75	90	135	75	90	
	Ripple and Noise(max.)	mVp	100						
	Temperature Coefficient	-	0.03%/°C Max.						
	Recovery Time	mS	4~8						
Rise Up Time	mS	10							

MODEL/CHANNEL		Unit	OTQ05 SC1224		OTQ12 SC1224		OTQ15 SC1224		OTQ24 SC1224		OTQ22 WC1224		OTQ23 WC1224	
INPUT	Input Voltage	Vac	12	24	12	24	12	24	12	24	12	24	12	24
	No Load	mA	22	23	22	22	25	24	31	29	26	26	29	28
	Full Load	mA	324	171	329	173	308	164	317	168	329	178	312	166
	Line Back Noise	mVp	500	300	500	300	500	300	500	300	500	300	500	300
	Efficiency (typical)	%	77	71	80	75	81	76	81	76	79	74	80	76
	Input Voltage Range	Vdc	8~32											





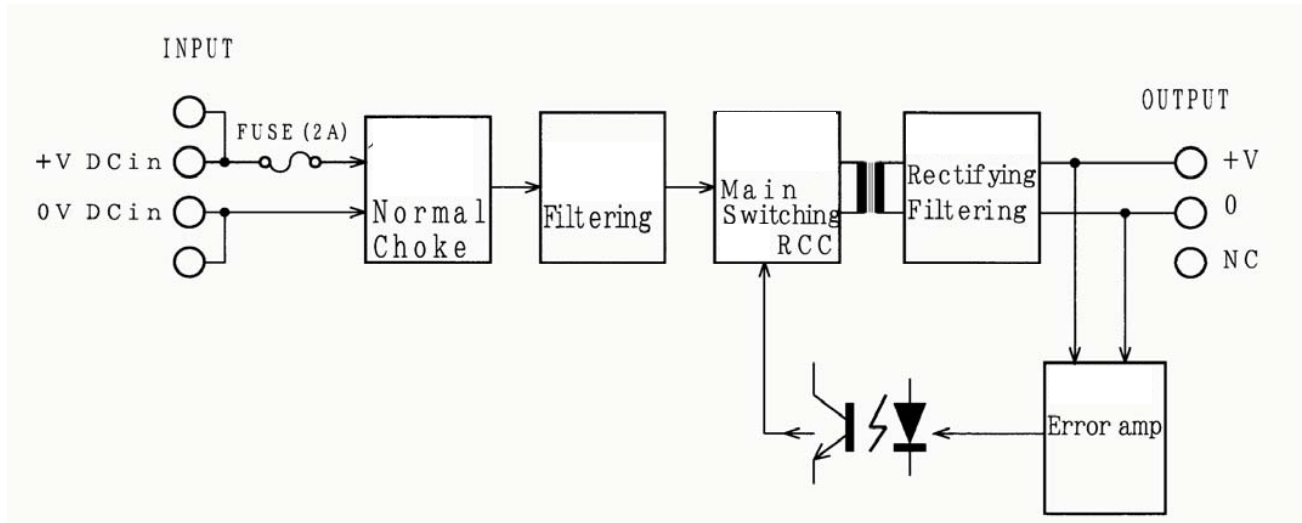
MODEL/CHANNEL		Unit	OTQ05 SC2448		OTQ12 SC2448		OTQ15 SC2448		OTQ24 SC2448		OTQ22 WC2448		OTQ23 WC2448	
INPUT	Input Voltage	Vdc	24	48	24	48	24	48	24	48	24	48	24	48
	Input Range No Load	mA	9	11	12	14	13	16	16	18	15	17	16	17
	Input Range Full Load	mA	160	82	162	86	154	83	158	86	164	89	154	84
	Efficiency (typical)	%	78	72	80	74	82	75	82	75	79	73	80	74
	Line Back Noise	mVp	400											
	Input Voltage Range	Vdc	18~72											
Environment	Operating Temperature	°C	-20 < ta ≤ 70°C Rated Output/70 < Ta ≤ 80°C Decrease Output Current 3.5%/°C)											
	Operating Humidity	%	20~90%RH											
	Storage Temperature	°C	-20~85°C											
	Storage Humidity	%	20~90%RH											
	Withstanding Voltage	-	Primary-Secondary AC500V, 1 min.											
	Isolation Voltage	-	Primary-Secondary 100MΩ(at DC500V)											
	Shock	-	294m/s ²											
	Cooling	-	Convection Cooling											
Function	Vibration	-	5~10Hz 10mm, 10~55Hz 19.6m/s ² 20 minute/cycle X,Y,Z Each Axes 0.5h											
	Frequency	-	150K~1M Hz(at input 8~32V, Output 0~100%)											
	Overcurrent Protection	-	Built In											
	Input Fuse	-	Built In (2A)											
Dimension	MTBF	H	1,600,000						1,430,000					
	Size(WxHxD) / Weight	mm/g	9Wx36Dx19.5H/5g											





Derating Diagram

3W Open Frame



Dimension Diagram (mm)

3W Open Frame

