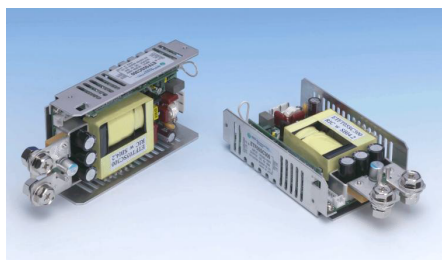




ETP-SC

450W



FEATURES

- Light weight, compact size
- High efficiency, high reliability
- Over voltage and over current protection
- **95.5% Efficiency**



MODEL/CHANNEL		Unit	ETP24-SC300
OUTPUT (Single)	Output Voltage	Vdc	24
	Output Current	A	19
	Line Regulation	mV	120
	Load Regulation	mVp	135
	Ripple and Noise	mVp	340
	Voltage Adjustment Range	-	±10% of rated output voltage (at output connector)
	Rise Time	-	500mS (maximum)
	Temp. Coefficient	mV	4.8
	Drift	mV	9.6
	Efficiency	%	95.5
INPUT	Input Voltage	V	DC300
	Input Voltage Range	-	DC200 to 400
Protection	Over Current Protection	A	Operate at 105% (minimum) of the rated current, constant current drop, automatic recovery after removing overload. Output shuts down when output voltage drops to around 5V. Turn on at least 1 minute after the input voltage shutdown to restart
	Over Voltage Protection	-	Operate at 115% (minimum) of the rated voltage Turn on at least 1 minute after the input voltage shutdown to restart
	Remote Sense	-	Available (with load line form output terminal, connect + and - sensing terminals to + and - terminals of load line, respectively)
	Remote Control	-	Available
	Safety	-	UL60950-1, CSA60950-1, EN60950-1 certified CE (LV directive) compliant
	Ref. MTBF	-	208,000

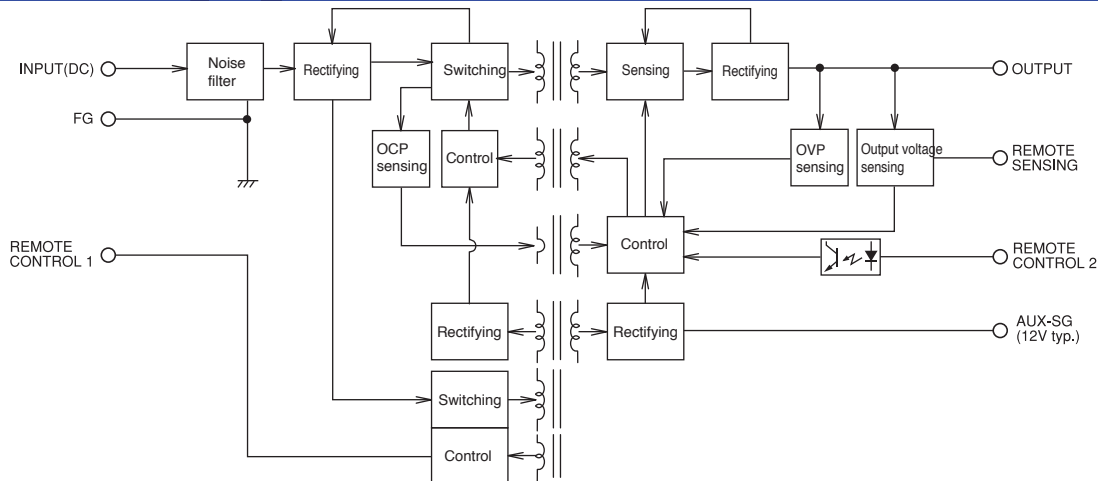




	MODEL/CHANNEL	Unit	
Environment	Operating Temperature	°C	-10 to +71 °C without thermal shock (see output derating table)
	Operating Humidity	%	20 to 90%RH (non-condensing)
	Storage Temperature	°C	-20 to +85°C without thermal shock
	Withstand Voltage	%	AC3000V for 1 minute without defect, faradic current=10mA
	Primary-Frame Ground	%	AC2000V for 1 minute without defect, faradic current=10mA
	Secondary-Frame Ground	-	AC1000V for 1 minute without defect, faradic current=50mA
	Isolation Resistance Primary - Secondary - Case	-	100MΩ (minimum) by DC500V insulation tester
	Shock	-	Impact force 196m/s ²
	Ref. Frequency	-	160
	Vibration	-	5 to 10Hz: 10mm double amplitude, 10 to 55Hz: acceleration 19.6m/s ² 20 minute cycle for 60 minutes each along X, Y, Z axes
	Storage Humidity	-	10 to 90%RH (non-condensing)
Dimension	Size(WxHxD) / Weight	mm/g	Chassis module/open-frame type / approx. 530g

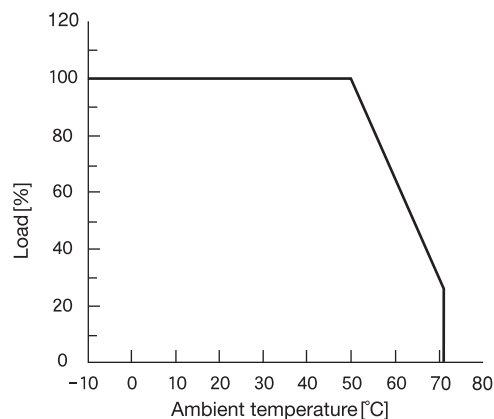
Block Diagram

450W



Temperature Derating Curve

450W

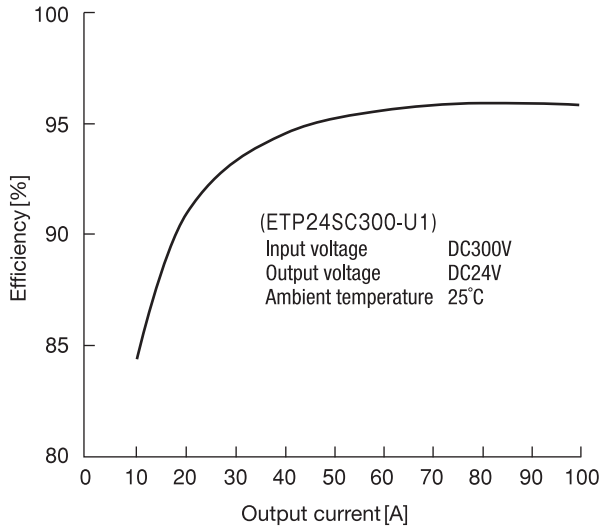




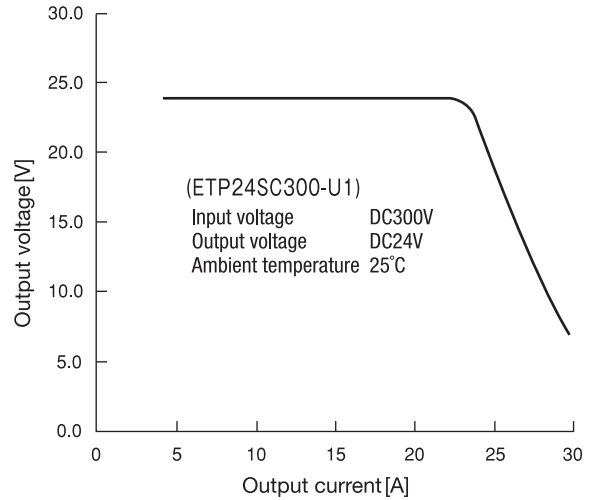
Output Current/Overcurrent

450W

Output current and efficiency curve

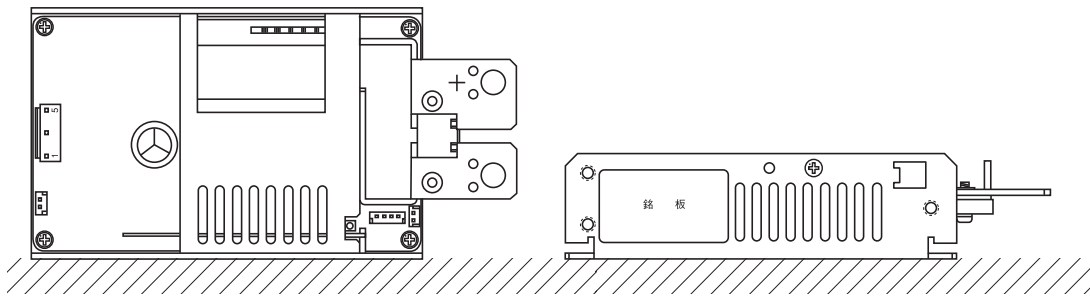


Overcurrent protection (OCP) curve



Placing/Mounting Direction

450W



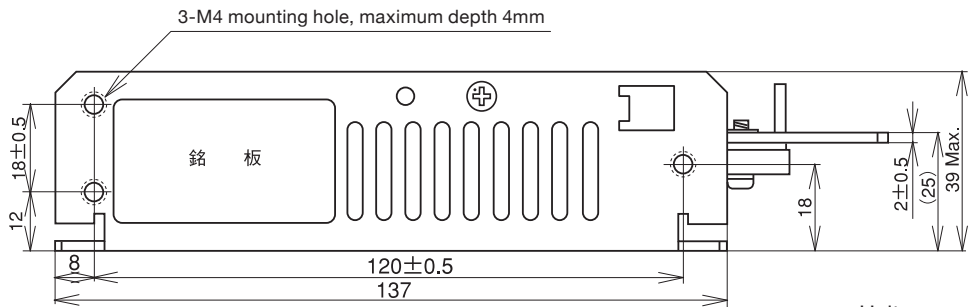
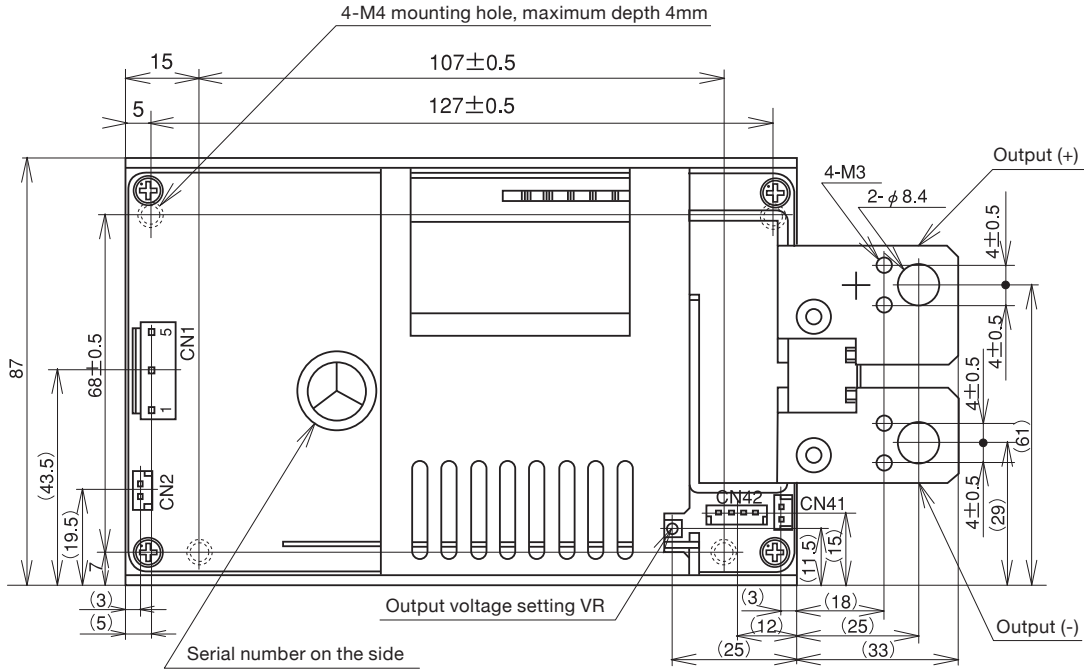
- The power supply should be placed/mounted in either of the directions shown above.
- When multiple power supply units are operated side by side, make sure that the temperature around each unit is within the specified operating temperature range on the specifications before using the units.





Dimension Diagram (mm)

450W



Unit : mm
Tolerance : ±1

Connector joint

Pin No.	CN1	Pin No.	CN2	Pin No.	CN41	Pin No.	CN42
1	+Vin	1	-RC1	1	-S	1	AUX
3	-Vin	2	+RC1	2	+S	2	+RC2
5	FG					3	-RC2
						4	SG

