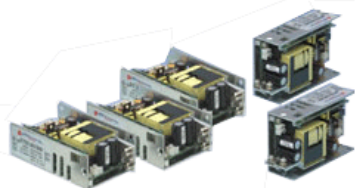




ETD-SC/ETD-SD

100W



FEATURES

- Light weight, compact size
- High efficiency, high reliability
- Input under voltage protection
- Over current, over voltage, thermal protection
- CE
- **Isolated Power Supply**



MODEL/CHANNEL		Unit	ETD2.5-SC48-U1	ETD3.3-SC48-U1	ETD05-SC48-U1
OUTPUT (Single)	Output Voltage	Vdc	2.5	3.3	5
	Output Current	A	25	25	20
	Line Regulation	mV	20	26	40
	Load Regulation	mV	23	30	45
	Ripple and Noise	mVp	150		
	Voltage Adjustment Range	-	±10% of rated output voltage		
	Rise Time	-	500mS(maximum) at 25°C and rated input/output		
	Temp. Coefficient	mV	0.75	1	1.5
	Drift	mV	28	32	32
	Dynamic Load Regulation	mV	200	250	250

MODEL/CHANNEL		Unit	ETD12-SC48-U1	ETD15-SC48-U1	ETD24-SC48-U1	ETD48-SC48-U1
OUTPUT (Single)	Output Voltage	Vdc	12	15	24	48
	Output Current	A	8.4	6.7	4.2	2
	Line Regulation	mV	100	120	120	120
	Load Regulation	mV	110	135	135	135
	Ripple and Noise	mVp	220	250	340	580
	Voltage Adjustment Range	-	±10% of rated output voltage			
	Rise Time	-	500mS(maximum) at 25°C and rated input/output			
	Temp. Coefficient	mV	3.6	4.5	7.5	15
	Drift	mV	75	90	135	260
	Dynamic Load Regulation	mV	600	750	1200	1200





MODEL/CHANNEL		Unit	ETD1.8-SC300-U1	ETD2.5-SC300-U1	ETD3.3-SC300-U1	ETD05-SC300-U1
OUTPUT (Single)	Output Voltage	Vdc	1.8	2.5	3.3	5
	Output Current	A	25	25	25	20
	Line Regulation	mV	15	20	26	40
	Load Regulation	mV	16	23	30	45
	Ripple and Noise	mVp	150			
	Voltage Adjustment Range	-	±10% of rated output voltage			
	Rise Time	-	500mS(maximum) at 25°C and rated input/output			
	Temp. Coefficient	mV	0.54	0.75	1	1.5
	Drift	mV	24	28	32	32
	Dynamic Load Regulation	mV	200	200	250	250
MODEL/CHANNEL		Unit	ETD12-SC300-U1	ETD15-SC300-U1	ETD24-SC300-U1	ETD48-SC300-U1
OUTPUT (Single)	Output Voltage	Vdc	12	15	24	48
	Output Current	A	8.4	6.7	4.2	2
	Line Regulation	mV	100	120	120	120
	Load Regulation	mV	110	135	135	135
	Ripple and Noise	mVp	220	250	340	580
	Voltage Adjustment Range	-	±10% of rated output voltage			
	Rise Time	-	500mS(maximum) at 25°C and rated input/output			
	Temp. Coefficient	mV	3.6	4.5	7.5	15
	Drift	mV	75	90	135	260
	Dynamic Load Regulation	mV	600	750	1200	1200





MODEL/CHANNEL		Unit	ETD2.5-SC48-U1	ETD3.3-SC48-U1	ETD05-SC48-U1	ETD12-SC48-U1	ETD15-SC48-U1	ETD24-SC48-U1	ETD48-SC48-U1
INPUT	Input Voltage 48V	Vdc	DC48V						
	Input Voltage Range	Vdc	DC36-72V						
	Efficiency	%	93	94	94.5				
	Ref. MTBF	H	275,000			289,000		288,000	
	Switching Frequency	kHz	150 Fix.			170 Fix.			
MODEL/CHANNEL		Unit	ETD1.8-SC300	ETD2.5-SC300	ETD3.3-SC300	ETD05-SC300			
	Input Voltage 300V	Vdc	DC300V						
	Input Voltage Range	Vdc	DC200-400V						
	Efficiency	%	90.5	92.5	92.2	94.5			
	Ref. MTBF	H	275,000						
	Switching Frequency	kHz	110 Fix.	130 Fix.					
MODEL/CHANNEL		Unit	ETD12-SC300	ETD15-SC300	ETD24-SC300	ETD48-SC300			
	Efficiency	%	94.5						
	Ref. MTBF	H	264,000		289,000	288,000			
	Switching Frequency	kHz	160 Fix.		130 Fix.	100 Fix.			
MODEL/CHANNEL		Unit							
Environment	Operating Temperature	°C	-10 to +50°C						
	Operating Humidity	%	20-90%/RH (non-condensing)						
	Storage Temperature	°C	-20 to +85°C						
	Withstand Voltage Primary-Secondary	%	Primary-Secondary AC 3,000V at 20mA for 1 minute Primary-Frame Ground AC 2,000V at 20mA for 1 minute						
	Derating	-	Secondary-Frame Ground AC 1,000V at 20mA for 1 minute						
	Storage Humidity	-	20 to 90%/RH						
	Isolation Resistance	-	Primary-Secondary-Frame Ground 100M ohm (minimum) by DC500V insulation tester						
	Shock	-	196m/s ²						
	Cooling	-	Convection						
	Vibration	-	5-10Hz: 10mm double amplitude, 10-55Hz: 19.6m/s ² , each along X, Y, Z axes (non-operating)						
Safety	-	CE							
Protection	Over Current Protection 105% of Rated Output Current	A	Current Limiting. Output shutdown when voltage drops to 50% of rated output voltage (60% at ETD1.8SC300) turn on 1minute after shut down to restart						
	Over Voltage Protection 115% of Rated Output voltage	-	Turn on 1 minute after shutdown to restart						
	Remote Sense	-	Available						
	Remote On/Off	-	Available						
Dimension	Size(WxHxD)/Weight	mm/g	W56xL86xH30/200g						

* Input fuse is installed in unit

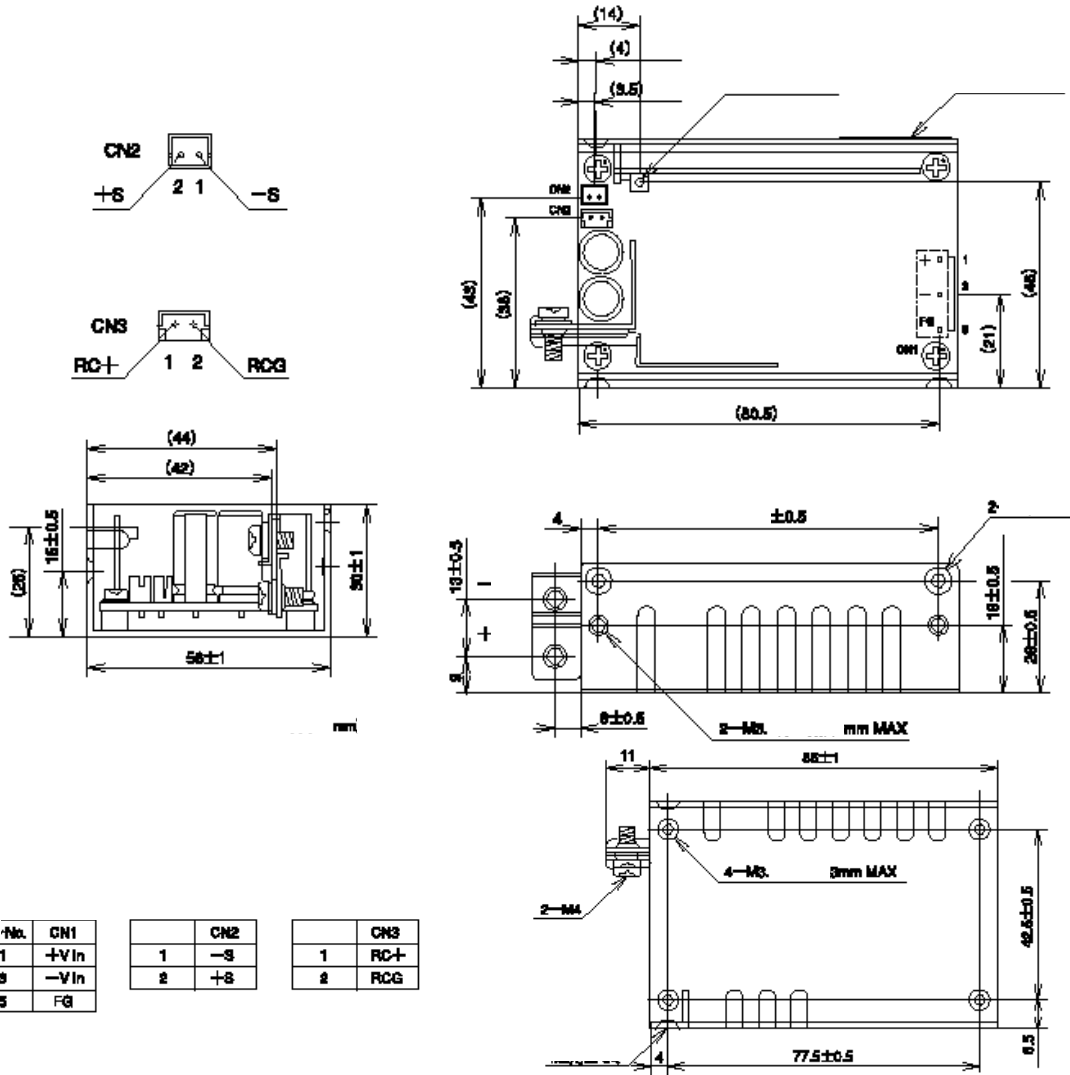
* Common mode filter is installed at the input side of unit





Dimension Diagram (mm)

100W



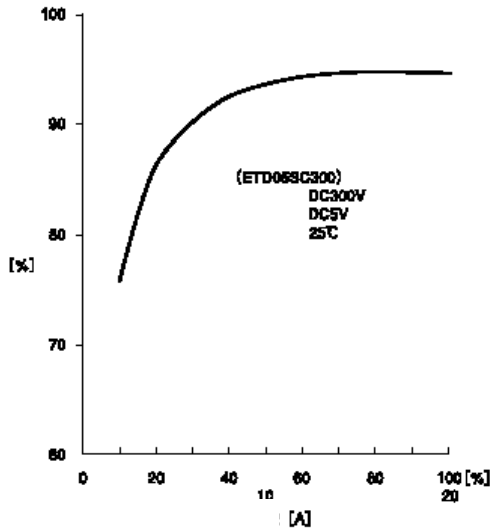
No.	CN1	CN2		CN3	
1	+Vin	1	-S	1	RC+
3	-Vin	2	+S	2	RCG
5	FG				





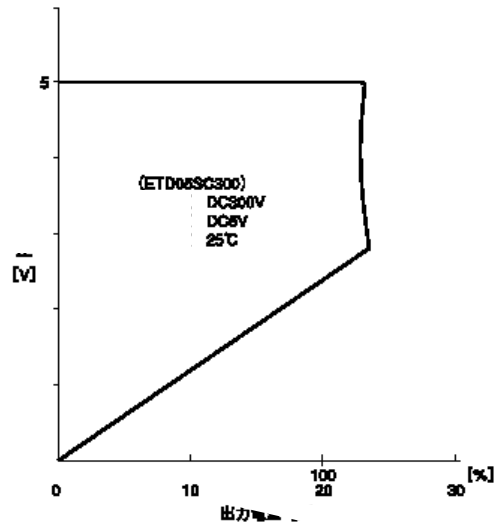
Efficiency Curve

ETDxSC300



OCP Curve

ETDxSC300



Mounting Positions

100W

