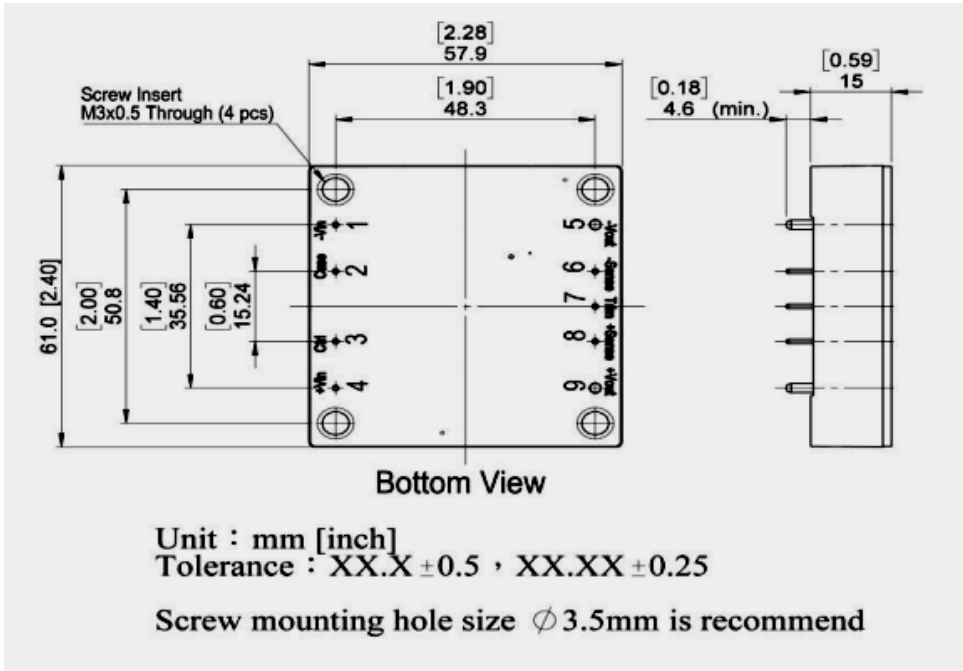




ODC 75 Series Application Notes



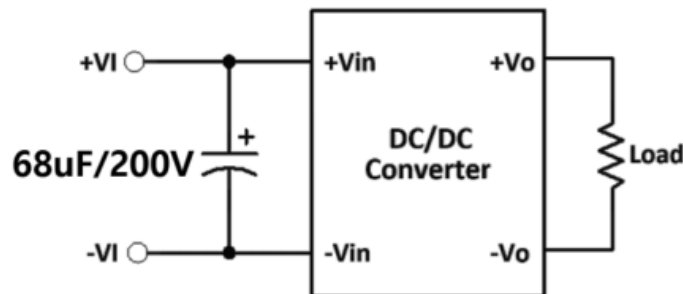
PIN	FUNCTION	DIAMETER
1	-Vin	1mm (0.04")
2	Case	1mm (0.04")
3	Remote Control	1mm (0.04")
4	+Vin	1mm (0.04")
5	-Vout	2.0mm (0.08")
6	-Sense	1mm (0.04")
7	Trim	1mm (0.04")
8	+Sense	1mm (0.04")
9	+Vout	2.0mm (0.08")

Remote ON/OFF Function

ODC75 Operates off of Positive Logic , with Reference to -Vin Pin

DC/DC ON	Open or 3.5 - 12 Vdc	CNTL PIN INPUT CURRENT -0.5~ 0.5 mA
DC/DC OFF	Short or 0 - 1.2 Vdc	REMOTE OFF INPUT CURRENT 3 mA

BASE CIRCUIT



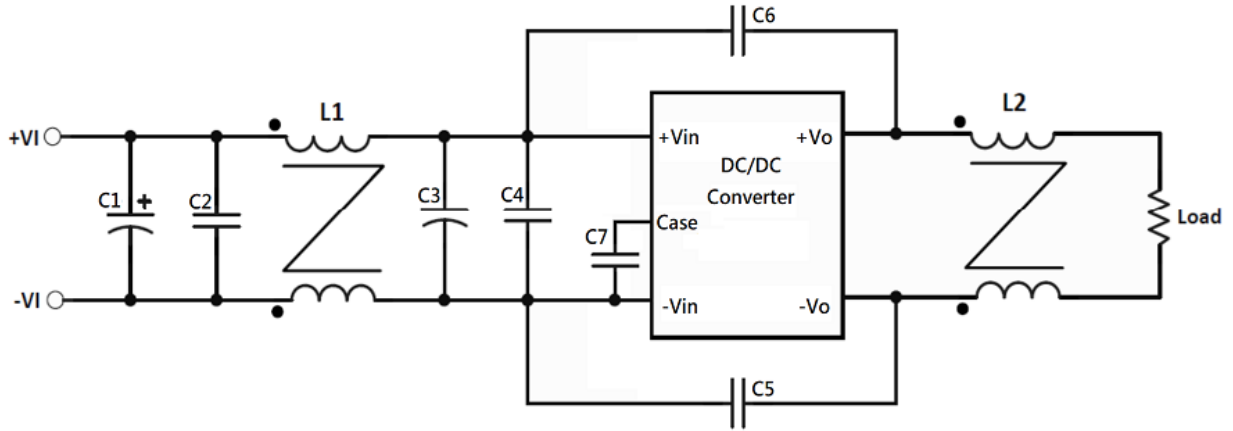
It is necessary to parallel a capacitor across the input pins under normal operation.

Minimum Capacitance: 68 μ F/ 200V.





EMI CLASS B CIRCUIT (for 24Vout models)



Component List

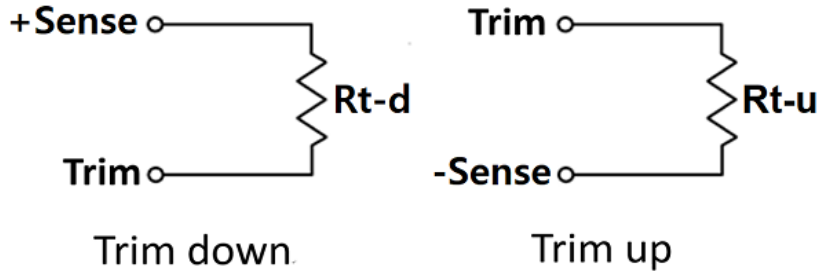
	C1	C2	L1	C3	C4	C5	C6	C7	L2
ODC75-24SC24	120uF/ 100V (Chemi -Con KY)	4.7uF 100V 1812	0.1mH	270uF/ 100V (Chemi -Con KY)	4.7uF 100V 1812	2000pF 3kV	2000pF 3kV	---	0.038mH
ODC75-48SC24								2200pF 2kV	





OUTPUT TRIMMING

Output can be externally trimmed by using the method, shown as below.



Recommended Values

ODC75-05SCxx

Trim down	Vout	Vo*99%	Vo*98%	Vo*97%	Vo*96%	Vo*95%	Vo*94%	Vo*93%	Vo*92%	Vo*91%	Vo*90%
	Rt-d =	147.00KΩ	72.00KΩ	47.00KΩ	34.50KΩ	27.00KΩ	22.00KΩ	18.43KΩ	15.75KΩ	13.67KΩ	12.00KΩ
Trim up	Vout	Vo*101%	Vo*102%	Vo*103%	Vo*104%	Vo*105%	Vo*106%	Vo*107%	Vo*108%	Vo*109%	Vo*110%
	Rt-u =	150.00KΩ	75.00KΩ	50.00KΩ	37.50KΩ	30.00KΩ	25.00KΩ	21.43KΩ	18.75KΩ	16.67KΩ	15.00KΩ

ODC75-12SCxx

Trim down	Vout	Vo*99%	Vo*98%	Vo*97%	Vo*96%	Vo*95%	Vo*94%	Vo*93%	Vo*92%	Vo*91%	Vo*90%
	Rt-d =	1151.48KΩ	556.24KΩ	357.83KΩ	258.62KΩ	199.10KΩ	159.41KΩ	131.07KΩ	109.81KΩ	93.28KΩ	80.05KΩ
Trim up	Vout	Vo*101%	Vo*102%	Vo*103%	Vo*104%	Vo*105%	Vo*106%	Vo*107%	Vo*108%	Vo*109%	Vo*110%
	Rt-u =	285.52KΩ	130.76KΩ	79.17KΩ	53.38KΩ	37.90KΩ	27.59KΩ	20.22KΩ	14.69KΩ	10.39KΩ	6.95KΩ

ODC75-15SCxx

Trim down	Vout	Vo*99%	Vo*98%	Vo*97%	Vo*96%	Vo*95%	Vo*94%	Vo*93%	Vo*92%	Vo*91%	Vo*90%
	Rt-d =	499.18KΩ	223.09KΩ	131.06KΩ	85.05KΩ	57.44KΩ	39.03KΩ	25.88KΩ	16.02KΩ	8.35KΩ	2.22KΩ
Trim up	Vout	Vo*101%	Vo*102%	Vo*103%	Vo*104%	Vo*105%	Vo*106%	Vo*107%	Vo*108%	Vo*109%	Vo*110%
	Rt-u =	404.82KΩ	180.91KΩ	106.27KΩ	68.95KΩ	46.56KΩ	31.64KΩ	20.97KΩ	12.98KΩ	6.76KΩ	1.78KΩ

ODC75-24SCxx

Trim down	Vout	Vo*99%	Vo*98%	Vo*97%	Vo*96%	Vo*95%	Vo*94%	Vo*93%	Vo*92%	Vo*91%	Vo*90%
	Rt-d =	598.97KΩ	267.93KΩ	157.59KΩ	102.42KΩ	69.31KΩ	47.24KΩ	31.48KΩ	19.66KΩ	10.46KΩ	3.11KΩ
Trim up	Vout	Vo*101%	Vo*102%	Vo*103%	Vo*104%	Vo*105%	Vo*106%	Vo*107%	Vo*108%	Vo*109%	Vo*110%
	Rt-u =	486.83KΩ	217.87KΩ	128.21KΩ	83.38KΩ	56.49KΩ	38.56KΩ	25.75KΩ	16.14KΩ	8.67KΩ	2.69KΩ

