



ETA-USA

The Power Professionals

AOJS 50

50W AC/DC



Features

- Universal Input
- Inrush current protection
- Over Voltage Protection
- Over Current Protection
- UL, CE recognized
- **2 year Warranty**



MODEL/CHANNEL		Unit	AOJS50-3.3	AOJS50-05	AOJS50-09	AOJS50-12
OUTPUT	Nominal Voltage	V	3.3	5	9	12
	Current	A	10	10	5.6	4.2
	Line Regulations	mV	17	25	45	60
	Load Regulations	mV	66	50	90	60
	Temperature Drift	mV	50	75	135	180
	Ripple & Noise(pk-pk)	mV	80	80	120	120
	Efficiency	%	73	77	80	83
	Turn-on Time typ.	ms	1200 (AC IN 110/220V, lo=100%)			
Hold-up Time typ.	ms	14 (AC IN 110/220V, lo=100%); 60 typ (AC IN 220V, lo=100%)				
MODEL/CHANNEL		Unit	AOJS50-15	AOJS50-24	AOJS50-48	
OUTPUT	Nominal Voltage	V	15	24	48	
	Current	A	3.5	2.2	1.1	
	Line Regulations	mV	75	120	240	
	Load Regulations	mV	75	120	240	
	Temperature Drift	mV	225	360	720	
	Ripple & Noise(pk-pk)	mV	120	120	200	
	Efficiency	%	84	85	88	
	Turn-on Time typ.	ms	1200 (AC IN 110/220V, lo=100%)			
Hold-up Time typ.	ms	14 (AC IN 110/220V, lo=100%)				



ETA-USA

16170 Vineyard Blvd. Suite 180 Morgan Hill, CA 95037 <http://www.eta-usa.com>
 Toll-free (US only): 800-ETA-POWR (800-382-7697) Telephone: 408 778-2793 FAX: 408-779-2753



ETA-USA

The Power Professionals

AOJS 50

50W AC/DC

MODEL/CHANNEL		Unit	
INPUT	Voltage, Frequency	V	AC100V-240V (AC88V~64V or DC125V~370V), 50/60Hz (47-63) Universal Input voltage
	Current Typical	110V 220V	A 1.3 0.8
	Inrush Current Typical	110V 220V	A 110V 20 (Ta=25°C, Io=100% at cold Start) 220V 40 (Ta=25°C, Io=100% at cold Start)
	Leakage Current Max 220V	mA	1
Function	Over Voltage Protection	V	Work at 115%-140% of rating
	Over Current Protection	A	Work at over 110% of rating and recovers automatically
	Parallel/Series Operation	-	Series operation possible
	Cooling /O.T.P	-	Convection cooling
Isolation	Input-Output	-	AC 3,000V 1 minute current 20mA, DC 500V 50MΩ (At room temperature & Humidity)
	Input-F.G	-	AC 2,000V 1 minute current 20mA, DC 500V 50MΩ (At room temperature & Humidity)
	Output-F.G	-	AC 500V 1 minute current 100mA, DC 500V 50MΩ (At room temperature & Humidity)
Environment	Operating temp. & Humidity	-	-10 ~+70°C, 20~90% RH(Non condensing)
	Storage temp. & Humidity	-	-20 ~+75°C, 20~90% RH(Non condensing)
	Vibration	-	10~55Hz @ 1G 3 minutes PERIOD, 30 minutes along X,Y & Z axis
	Impact	-	10G for 20ms once on each X, Y and Z axis
	Safety	-	CB, CE, UL
	Emission	-	UL 60950-1, 2nd Ed+AM1+AM2, Line Emission Complies with EN55022-B
Dimension	Size(LxWxH) /Weight	mm/g	99x97x36/560g



ETA-USA

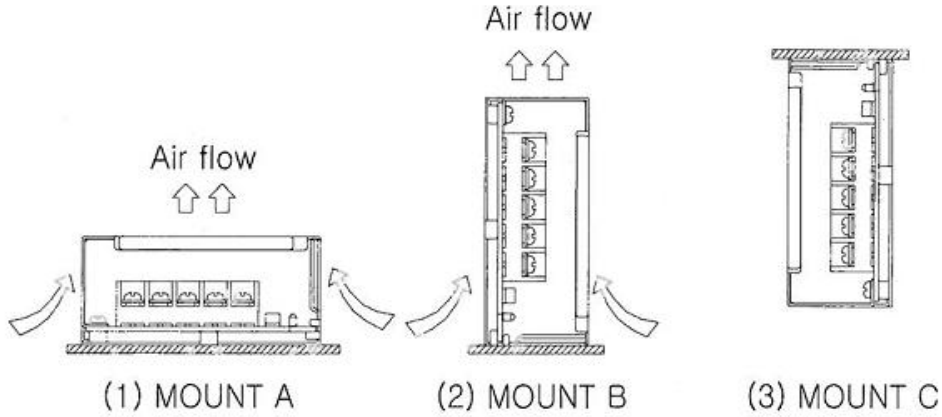
16170 Vineyard Blvd. Suite 180 Morgan Hill, CA 95037 <http://www.eta-usa.com>
Toll-free (US only): 800-ETA-POWR (800-382-7697) Telephone: 408 778-2793 FAX: 408-779-2753



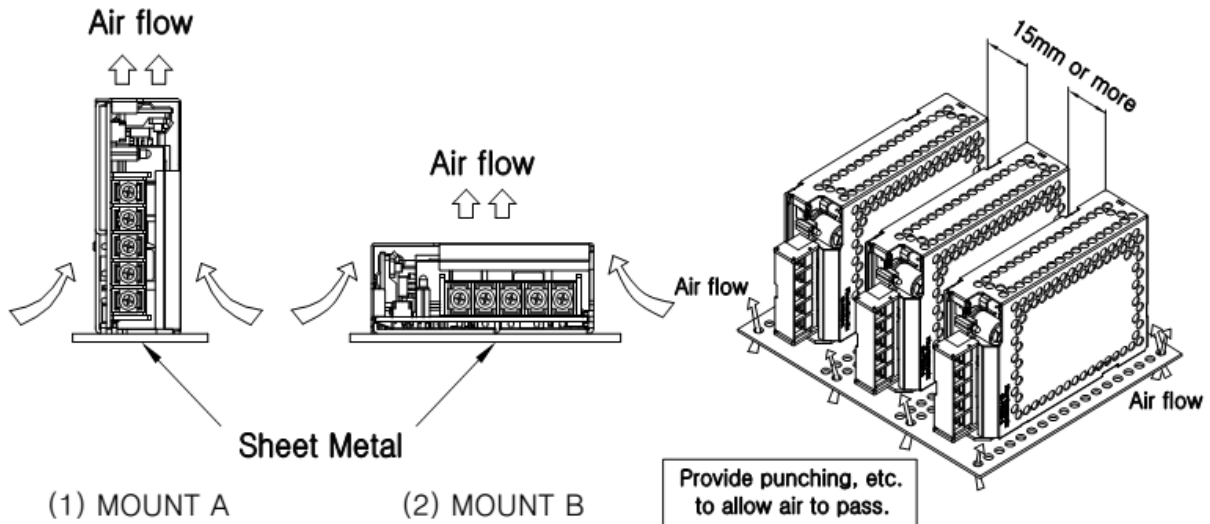
ETA-USA

The Power Professionals

Output Derating Curve



Reccomended Mounting Diagram

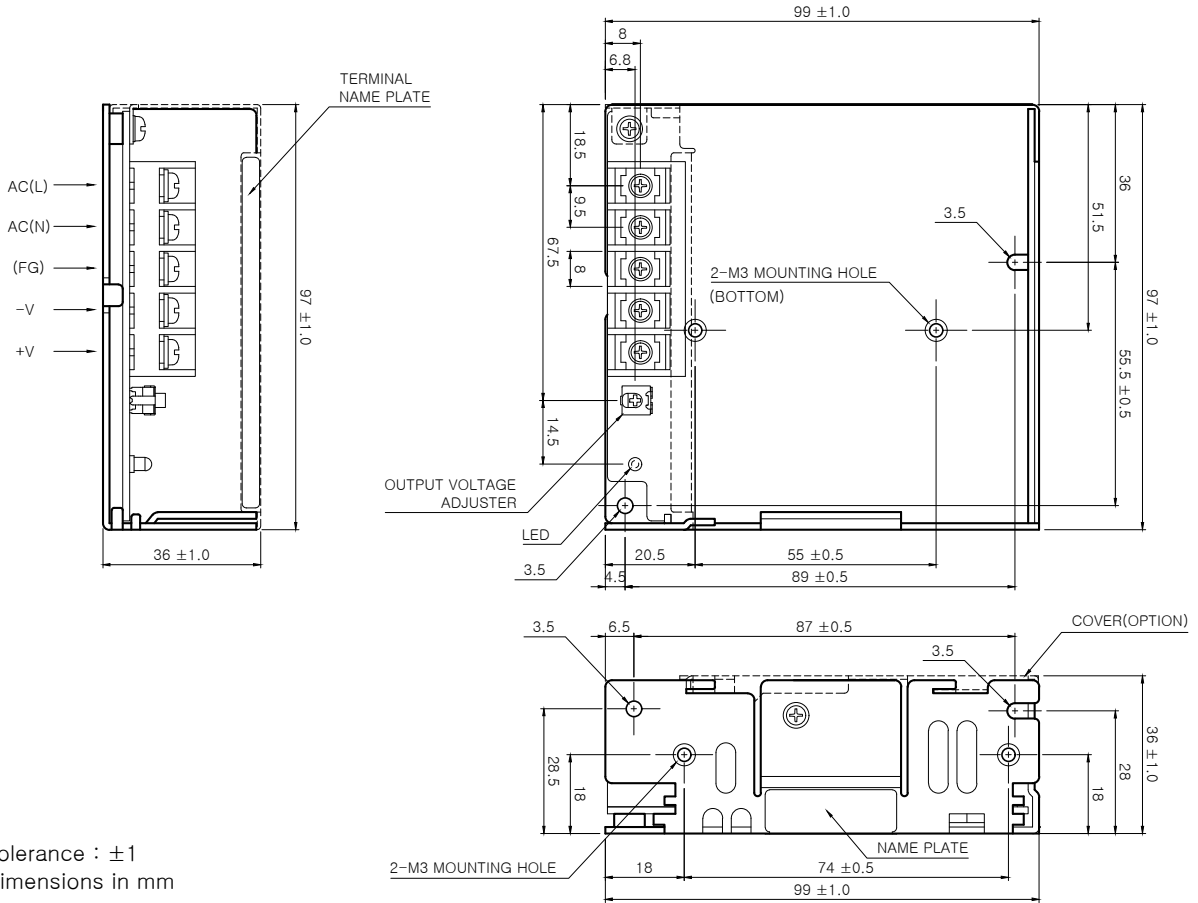


ETA-USA

16170 \ \eyard Blvd. Suite 180 Morgan Hill, CA 95037 <http://www.eta-usa.com>
Toll-free (US only): 800-ETA-POWR (800-382-7697) Telephone: 408 778-2793 FAX: 408-779-2753



Mechanical Dimension



* Tolerance : ±1
* Dimensions in mm

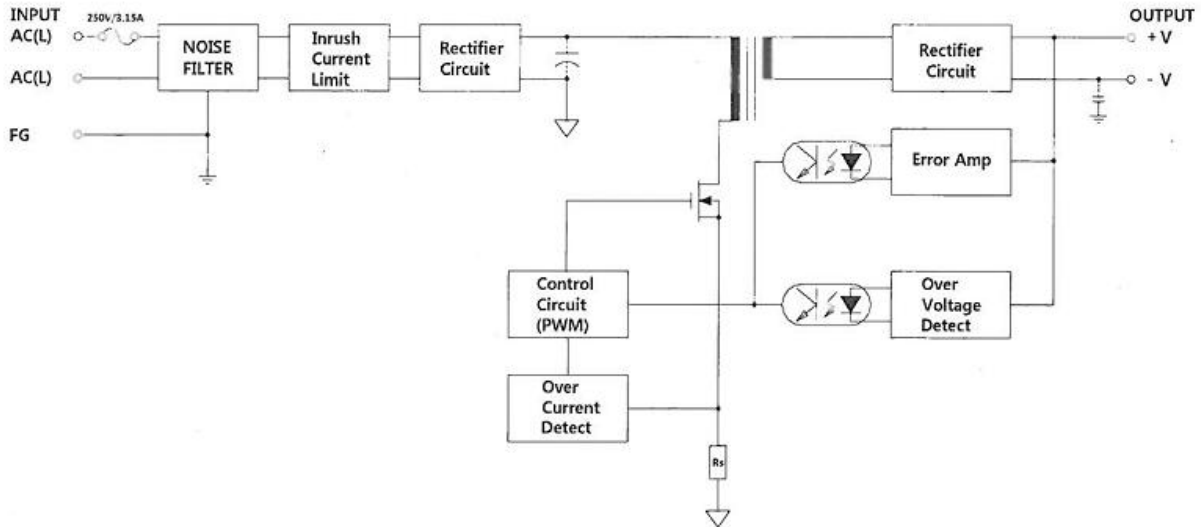




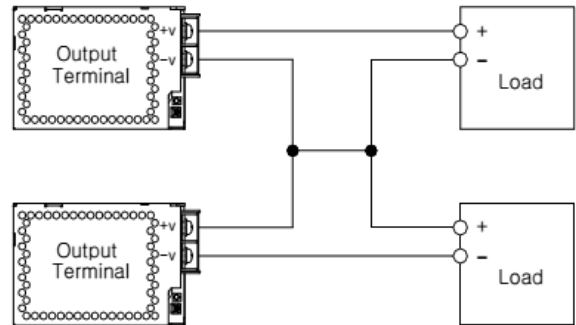
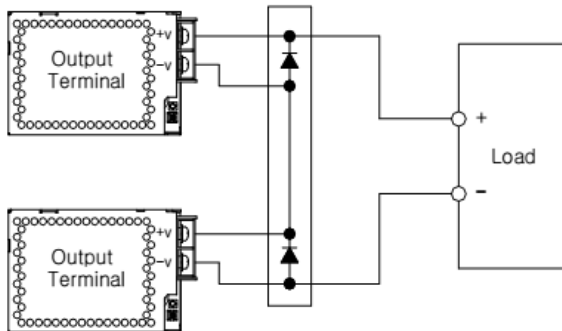
ETA-USA

The Power Professionals

BLOCK DIAGRAM



Charts



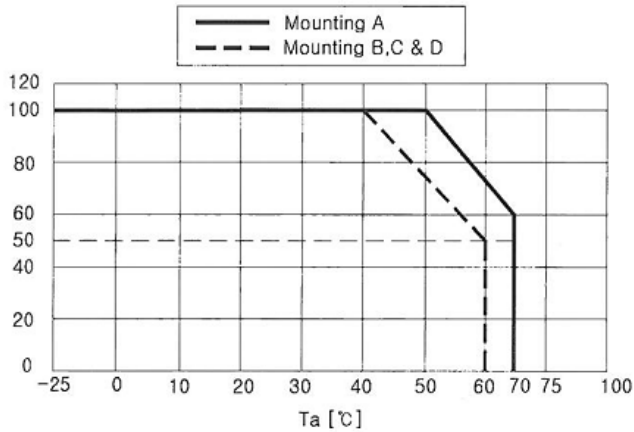
ETA-USA

16170 Vineyard Blvd. Suite 180 Morgan Hill, CA 95037 <http://www.eta-usa.com>
Toll-free (US only): 800-ETA-POWR (800-382-7697) Telephone: 408 778-2793 FAX: 408-779-2753

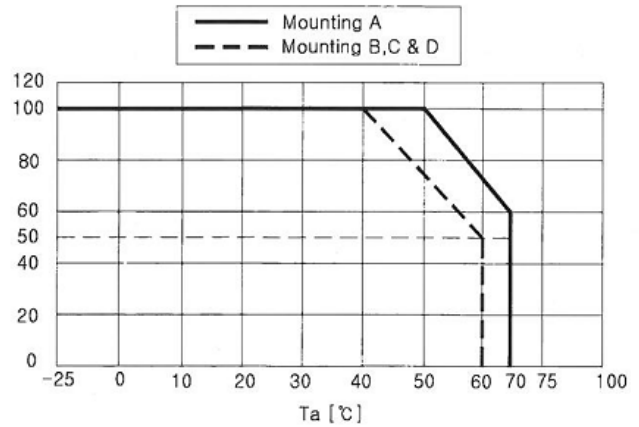


Derating Curve

AOJS50-3.3, AOJS50-5



AOJS50-12~AOJS50-48



Terminal Output

Mark	Pin Connection	Function
L	AC L	AC Terminal (Fuse in Line)
N	AC N	AC Terminal
F.G	Frame ground	AC CASE
+V	DC Output (+)	DC (+) Terminal
-V	DC Output (-)	DC (-) Terminal

