



FHG SX-U1

600W Power Supply



FEATURES:

- Power factor 115Vac=0.99 230Vac=0.99
- Power factor correction,
- Low line distortion



MODEL/CHANNEL		Unit	FHG-3.3SX-U1	FHG-5SX-U1	FHG-6SX-U1	FHG-12SX-U1	FHG-15SX-U1
OUTPUT	Norminal Voltage	V	3.3	5	6	12	15
	Current	A	120	120	100	53	42
	Efficiency	%	70	75	81	81	81
MODEL/CHANNEL		Unit	FHG-24SX-U1	FHG-30SX-U1	FHG-36SX-U1	FHG-48SX-U1	
OUTPUT	Norminal Voltage	V	24	30	36	48	
	Current	A	27	21.6	18	13.5	
	Efficiency	%	83	84	83	84	
	Input Regulation	mV	0.5%MAX				
	Load Regulations	mV	1%MAX				
	Temperature Coefficient	mV	0.03%/°C				
	Adjustable Voltage	-	± 10%, typical				
	Drift/Time Effect	mV	(Output V X 0.5%)+15mV/8H (After 1Hr)				
	Ripple & Noise Max.	mV	(Output V x 1%) + 100mVp-p MAX.				
	Rise Up Time	ms	:500mS typ. @ 115 VAC in/200mS typ. @230 VAC in				
	Hold-up Time Typ.	ms	20mS MIN (at 25°C,Rated-Input-Output)				





FHG SX-U1

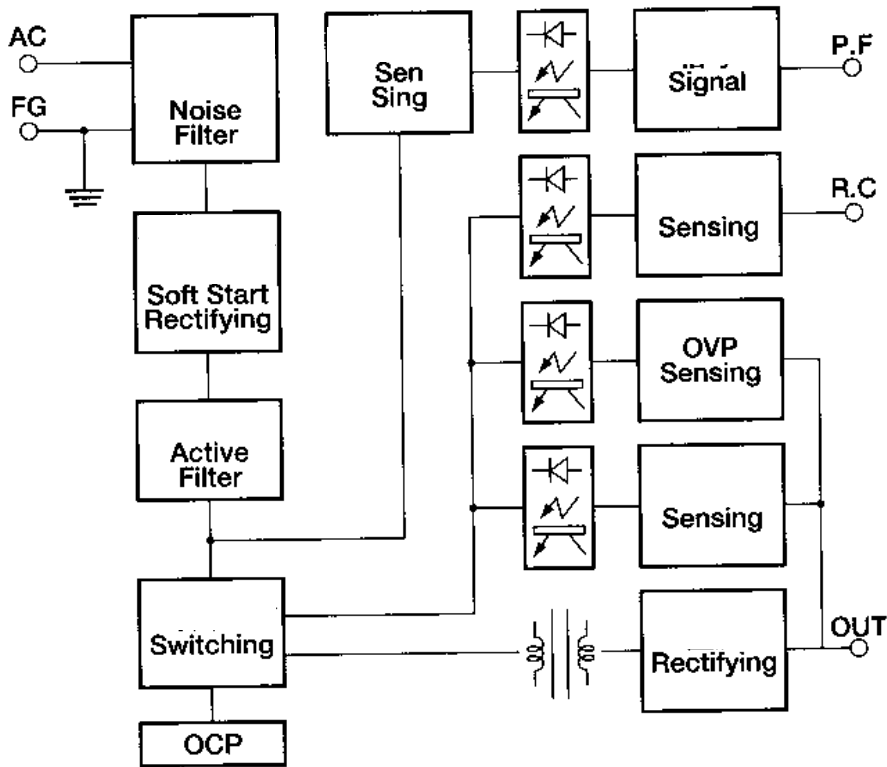
600W Power Supply

	MODEL/CHANNEL	Unit	
INPUT	Current	A	16A / 8A(Input 115V/230VAC)
	Power factor	-	Active filter circuit with boost converter, 85~255VAC
	Voltage, Frequency	V	115~230VAC; 85~264VAC; 50/60Hz
	Current on Full Road	A	7.5 / 4A(Input 115V/AC230VAC)
	Leakage Current	mA	AC 115VAC, 50Hz, 25°C 0.28mA; AC 230VAC, 50Hz, 25°C 0.58mA
FUNCTION	Over Voltage Protection	V	Constant current limiting
	Over Current Protection	A	Output shutdown
	Switching Frequency	-	130KHz Fixed
ELECTRICAL ISOLATION	(1) Input - Output	-	(Input-Output) :AC3000V(1Minute)
	(2) Input - F.G	-	(Input-Chassis) AC2500V (1Minute)
	(3) Output - F.G	-	(Output-Chassis) AC500V (1Minute)
	Insulation Resistance	-	(Input-Output-Chassis): 50M MIN.
Environment	Operating temp. & Humidity	-	-5 ~+50°C (See output derating curve)
	Storage temp. & Humidity	-	-20~+85°C/85%
	Vibration	-	(5~10Hz) Amplitude (peak to peak) 10mm(constant) (10~55Hz) Acceleraton 2G (constant) X, Y, Z
	Shock	-	30G
	Safety	-	UL1950, C-UL(CSA950), EN60950-1, VDE0805, IEC950
	Power Factor	-	EN 60555-2, EN 55022/B, FCC level B, EN 60950-1 , UL 1950, CSA 234.
Dimension	Size(LxWxH)/Weight	mm/g	130x200x93/2600g





Block Diagram



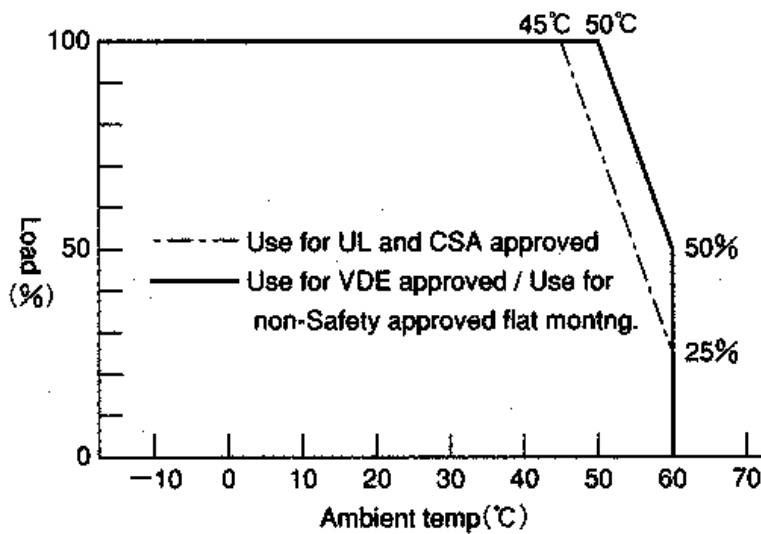
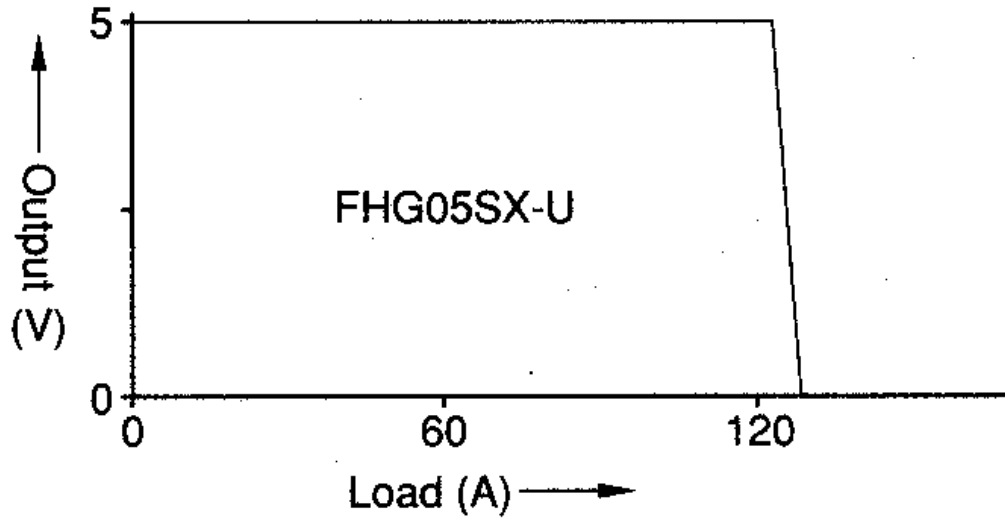
Terminal Connection

No.	
1	Remote Control
2	Remote Control Ground
3	Parallel
4	Power Fail
5	-Remote Sensing Ground
6	+Remote Sensing
7	Frame Ground
8	AC-Live
9	AC-Neutral





Load and Output





Mechanical Drawings

