

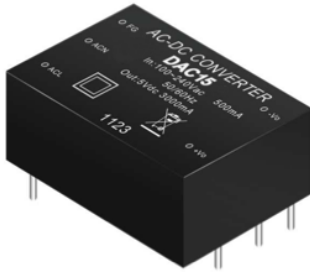


# ETA-USA

The Power Professionals

## DAC-15 Dual

## 15W AC/DC



### Features

- Available in Wide range of output VDC
- High efficiency 85%
- Protection: Overload/Short Circuit/Over voltage
- Fully Encapsulated Plastic Case
- Internal Input Filter
- ROHS compliant
- **3 year warranty**
- DAC15-20: 5V, 5V      -DAC15-21: 5V, 24V
- DAC15-22: 12V, 12V    -DAC15-23: 15V, 15V
- DAC15-24: 5V, 24V    -DAC15-25: 5V, 15V
- DAC15-26: 24V, 24V

MODEL/CHANNEL		Unit	DAC15-20	DAC15-21	DAC15-22	DAC15-23
	Nominal Voltage	V	±5VDC	+5/+24VDC	±12VDC	±15VDC
	Current	A	±1.5	+2/+4	±.625	±.5
MODEL/CHANNEL		Unit	DAC15-24	DAC15-25	DAC15-26	
	Nominal Voltage	V	+5/+24VDC	+5/+15VDC	±24VDC	
	Current	A	+2/+4	+2/+3	±.32	
	Ripple & Noise(max.)(*1)	mV	150			
	Load Regulations	mV	+/-2%			
	Line Regulations	mV	+/-1%			
	Voltage Accuracy	%	+/-2%			
	Over Load Protection	-	Auto Recovery Above 110% rated output power			
	Short Circuit Protection	-	CONT. Auto Recovery			
	Transient Recovery Time	-	Vi nom, Io nom = 0.5 Io nom Typ. 1000us			
<b>INPUT</b>	Voltage, Frequency	V	Universal Input voltage AC 90V~264V (DC 120~370VDC); 47~63Hz			
	Min Load	-	0%			
	Inrush Current Typ.	A	115V 12A (Ta=25°C, Io=100% at cold start); 230V 20A (Ta=25°C, Io=100% at cold start)			
	Operating Frequency	KHz	65			
<b>Electrical Isolation</b>	Isolation Voltage	-	Input/Output 3KVac/ 5mA/5Secs			
	Isolation Resistance	-	Input/Output, @500 Vdc 100MΩ			
	Operating Temp. & Hum.	-	-20~ +70°C			
	Storage Temp. & Hum.	-	-40~+85°C Humidity 95% 5RH%			
	Derating	-	Vi nom, Io nom +51 to 71°C 2%/°C			
<b>Dimension</b>	Size(LxWxH) / Weight	mm	L69.85 x W48 x H23.37mm			
	<b>Safety</b>	-	CE/RU, EMI Compliance to EN55022; EMS Immunity Compliance to EN55022			

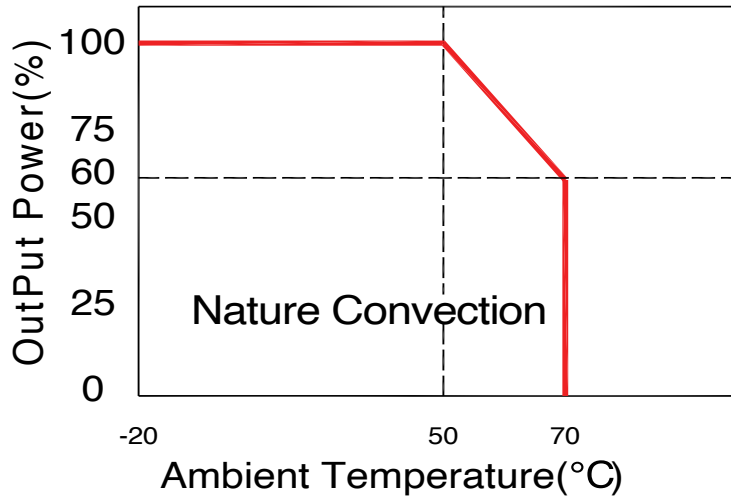


# ETA-USA

16170 Vineyard Blvd. Suite 180 Morgan Hill, CA 95037 <http://www.eta-usa.com>  
 Toll-free (US only): 800-ETA-POWR (800-382-7697) Telephone: 408 778-2793 FAX: 408-779-2753



## Derating Curve & Mounting Diagram

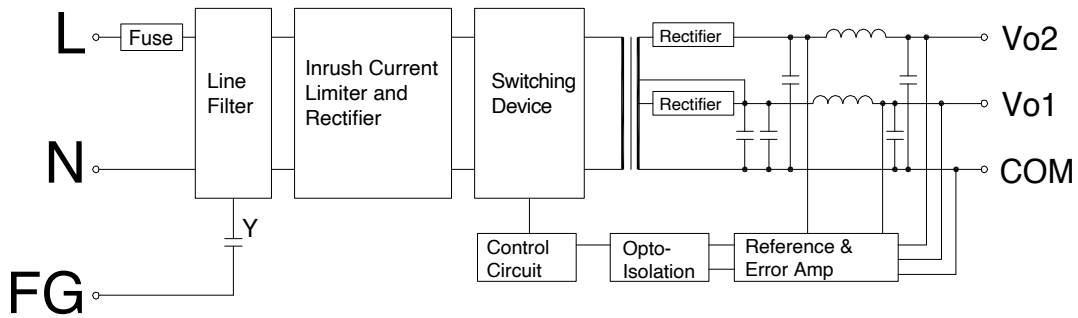
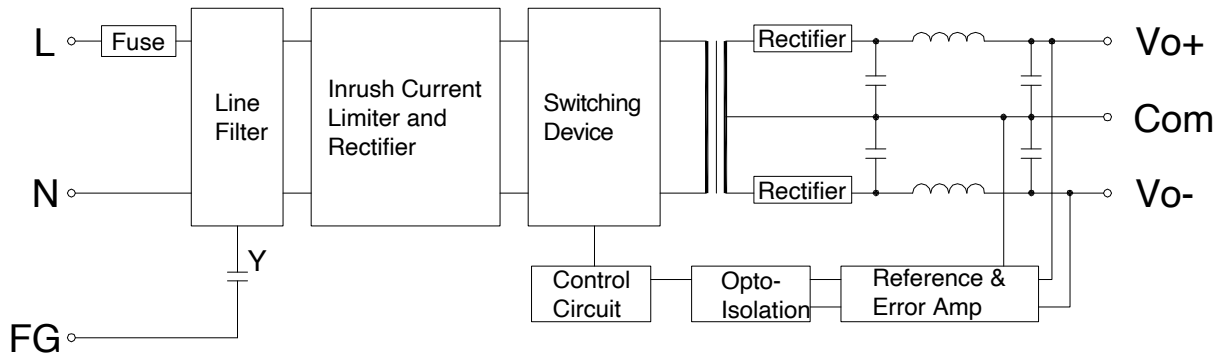


## Dimension Diagram (mm)





## Block Diagram



## Terminal Output

PIN	Model		
	Single	Dual	Dual
1	FG	FG	FG
2	ACN	ACN	ACN
3	ACL	ACL	ACL
4	-Vo	-Vo	+Vo2
5	NO PIN	COM	COM
6	+Vo	+Vo	+Vo1

G A 015 - S 03  
A B C D E

- A: Series
- B: Package
- C: Output Watt
- D: Single (S) Dual (D)
- E: Output Voltage

