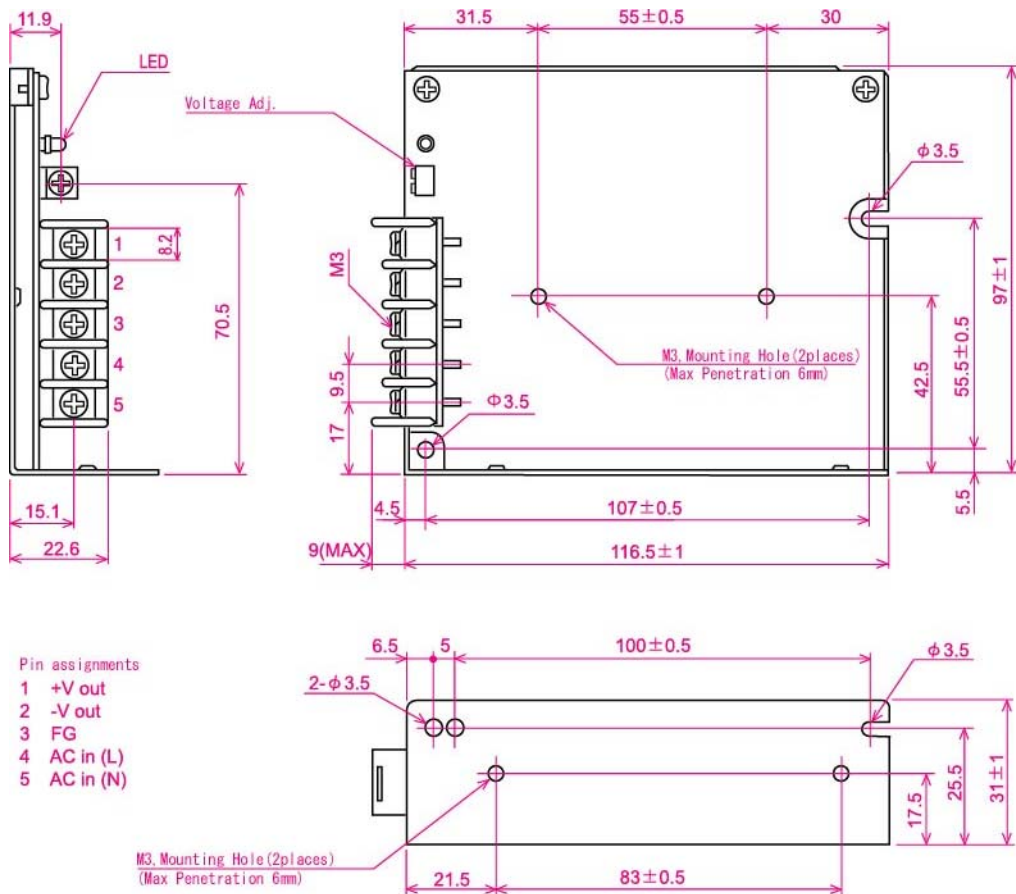


25 WATT AC-DC CONVERTER ERA-SA SERIES

Specifications<AC/DC>	Model				
ERA**SA 25W ATTS / SINGLE	ERA05SA	ERA12SA	ERA15SA	ERA24SA	ERA48SA
Input Characteristic					
Input Voltage	AC100V(DC130V)				
Input Range	AC85-132V(DC110-170V)				
Input Frequency	50/60Hz				
Input Frequency Range	47-440Hz				
Phase	Single				
Inrush Current *1	30A(maximum)at AC100V				
Efficiency [%] (typical) *2	74	78	79	81	83

Dimension (mm)



ERA**SA Specification

Specifications<AC/DC>	Model				
ERA**SA 25WATTS/SINGLE	ERA05SA	ERA12SA	ERA15SA	ERA24SA	ERA48SA
Output Characteristic					
Output Voltage [V]	5	12	15	24	48
Output Current [A]	5.0	2.1	1.7	1.1	0.55
Voltage Adjust Range	+/- 10% of Rated Output Voltage(at no load within the input range)				
Ripple and Noise [mVp-p](maximum) *3	100	170	200	290	530
Regulation					
Statistic Line Regulation [mV](maximum)	25	60	75	120	240
Statistic Load Regulation [mV](maximum)	50	120	150	240	480
Temperature Coefficient *4	0.03%/°C				
Drift[mV](maximum) *5	40	75	90	135	255
Dynamic Load Regulation [mV](typical) *6	not specified				
Recovery Time *6	not specified				
Rise up time	200mS(maximum) at 25°Cand rated input/output				
Hold up time	20mS(minimum) at 25°Cand rated input/output				
Functions					
Overcurrent Protection $\geq 105\%$ of Rated Output Current[A]	Current Limiting with automatic recovery				
	5.25	2.21	1.79	1.16	0.58
Overvoltage Protection $\geq 12\%$ of Rated Output Voltage[V]	output shutdown(to reset,leave 30seconds after shut-off)				
	5.60	13.4	16.8	26.9	53.8
Remote Sense	not available				
Remote On/Off	not available				
Environmental					
Operating Temperature	-5 to +50°C(enclosed type:-5 to 50°Cat vertical mount/-5 to 45°Cat horizontal mount]				
Operating Humidity	85%RH(non-condensing)				
Storage Temperature	-20 to +85°C				
Storage Humidity	85%RH(non-condensing)				
Withstanding Voltage	Primary-Secondary AC1,500V for 1minute				
	Primary-Frame Ground AC1,500V for 1minute				
	Secondary-Frame Ground AC500V for 1minute				
Isolation Resistance	Primary-Secondary-Frame Ground 50M Ω (minimum) by DC500V insulation tester				
Vibration	5-10Hz:10mm double amplitude,10-55Hz:19.6m/s ² ,20minutes' period for 60minutes each along X,Y,Z axes(non-operating)				
Shock	294m/s ²				
Cooling	Convection				
? Leakage Current	1mA(maximum) at 25°Crated input/output and rated input frequency				
? Line Conducted Noise	Built to meet FCC Part15-B Class B				
? Safety					
Weight (typical)	280g/enclosed type:340g				
? MTBF [H]	610,000				
? Switching Frequency[kHz](typical) *7	25	40	40	40	40

Conditions:

*1 at cold start

*2 at DC130V input and rated output

*3 measured by a bayonet probe at output connector at 0 to 100MHz bandwidth

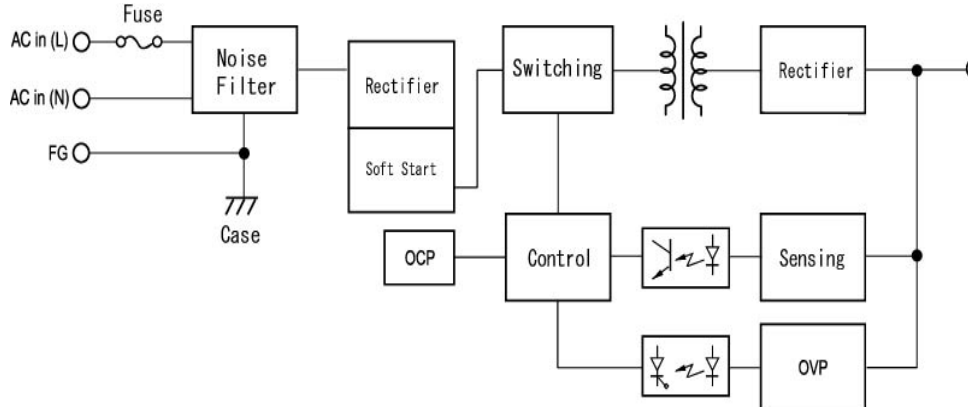
*4 at -5 to +50°C

*5 for 7hour period after 1hour warm-up at 25°Cand rated input/output

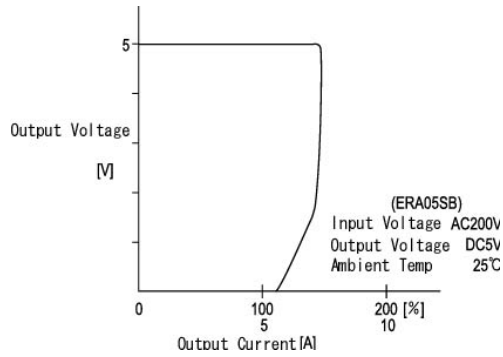
*6 when output current changed from 25% to 75% of rated output current rapidly at AC100V input

*7 variable on input voltage and load conditions

Block Diagram



OCP Curve



Derating Curve

