

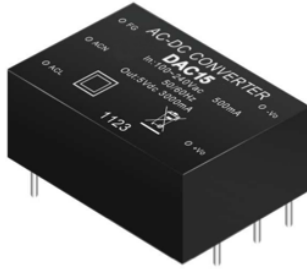


ETA-USA

The Power Professionals

DAC-15

15W AC/DC



Features

- Available in Wide range of output VDC
- High efficiency 85%
- Protection: Overload/Short Circuit/Over voltage
- Fully Encapsulated Plastic Case
- Internal Input Filter
- ROHS compliant
- **3 year warranty**



MODEL/CHANNEL		Unit	DAC15-3.3	DAC15-05	DAC15-12	DAC15-15
OUTPUT	Nominal Voltage	V	3.3	5	12	15
	Current	A	4	3	1.5	1.2
	Efficiency	%	72	78	82	82
	Voltage Accuracy	%	+/-3		+/-2%	+/-2%
	Ripple & Noise(max.) (*1)	mV	100			
MODEL/CHANNEL		Unit	DAC15-24		DAC15-48	
OUTPUT	Nominal Voltage	V	24		48	
	Current	A	0.8		0.4	
	Efficiency	%	83		85	
	Ripple & Noise(max.) (*1)	mV	150			
	Load Regulations	mV	+/-2%			
	Line Regulations	mV	+/-1%			
	Voltage Accuracy	%	+/-2%			
	Over Load Protection	-	Auto Recovery Above 110% rated output power			
	Short Circuit Protection	-	CONT. Auto Recovery			
Transient Recovery Time	-	Vi nom, Io nom = 0.5 Io nom Typ. 1000us				
INPUT	Voltage, Frequency	V	Universal Input voltage AC 90V~264V (DC 120~370VDC); 47~63Hz			
	Min Load	-	0%			
	Inrush Current Typ.	A	115V 12A (Ta=25°C, Io=100% at cold start); 230V 20A (Ta=25°C, Io=100% at cold start)			
	Operating Frequency	KHz	65			
Electrical Isolation	Isolation Voltage	-	Input/Output 3kVac/ 5mA/5Secs			
	Isolation Resistance	-	Input/Output, @500 Vdc 100MΩ			
	Operating Temp. & Hum.	-	-20~ +70°C			
	Storage Temp. & Hum.	-	-40~+85°C Humidity 95% 5RH%			
	Derating	-	Vi nom, Io nom +51 to 71°C 2%/°C			
Dimension	Size(LxWxH) / Weight	mm	L69.85 x W48 x H23.37mm			
	Safety	-	CE/RU, EMI Compliance to EN55022; EMS Immunity Compliance to EN55022			



ETA-USA

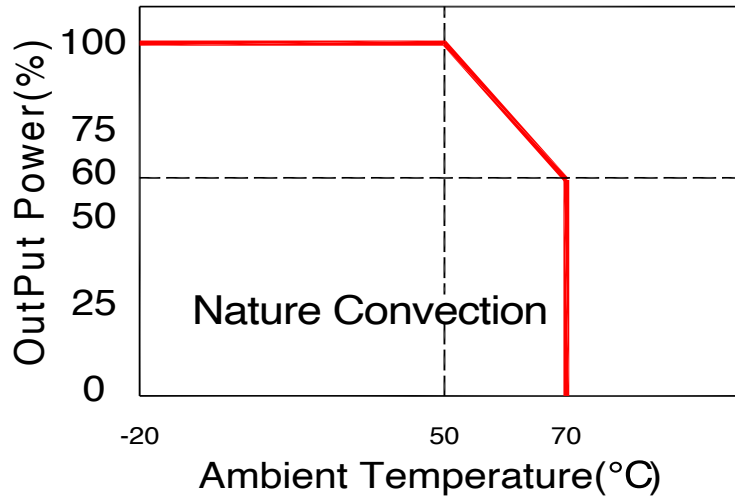
16170 Vineyard Blvd. Suite 180 Morgan Hill, CA 95037 <http://www.eta-usa.com>
 Toll-free (US only): 800-ETA-POWR (800-382-7697) Telephone: 408 778-2793 FAX: 408-779-2753



ETA-USA

The Power Professionals

Derating Curve & Mounting Diagram



Dimension Diagram (mm)

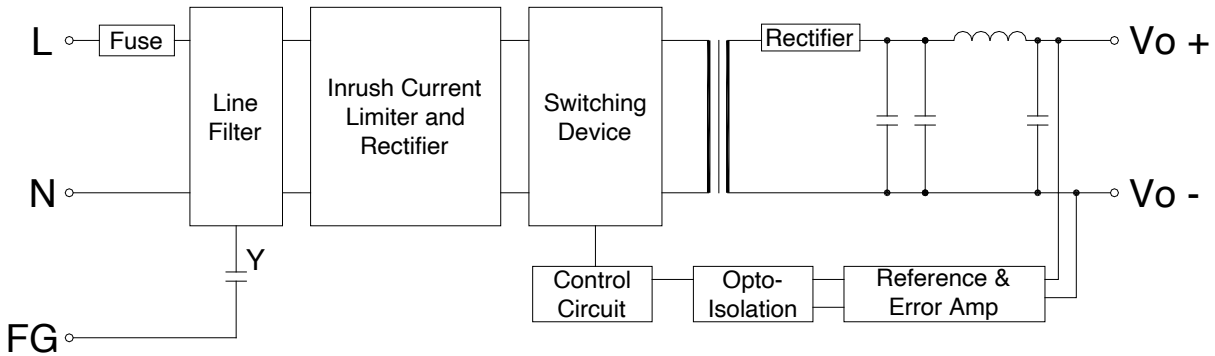


ETA-USA

16170 Vineyard Blvd. Suite 180 Morgan Hill, CA 95037 <http://www.eta-usa.com>
Toll-free (US only): 800-ETA-POWR (800-382-7697) Telephone: 408 778-2793 FAX: 408-779-2753



Block Diagram



Terminal Output

PIN	Model		
	Single	Dual	Dual
1	FG	FG	FG
2	ACN	ACN	ACN
3	ACL	ACL	ACL
4	-Vo	-Vo	+Vo2
5	NO PIN	COM	COM
6	+Vo	+Vo	+Vo1

G A 015 - S 03
A B C D E

A: Series
 B: Package
 C: Output Watt
 D: Single (S) Dual (D)
 E: Output Voltage

