



AOBN15

15W AC/DC



Features

- Universal Input PCB Moun
- Built-in inrush current protection
- Over Voltage Protection
- CE, UL recognized
- **2 Yr warranty**

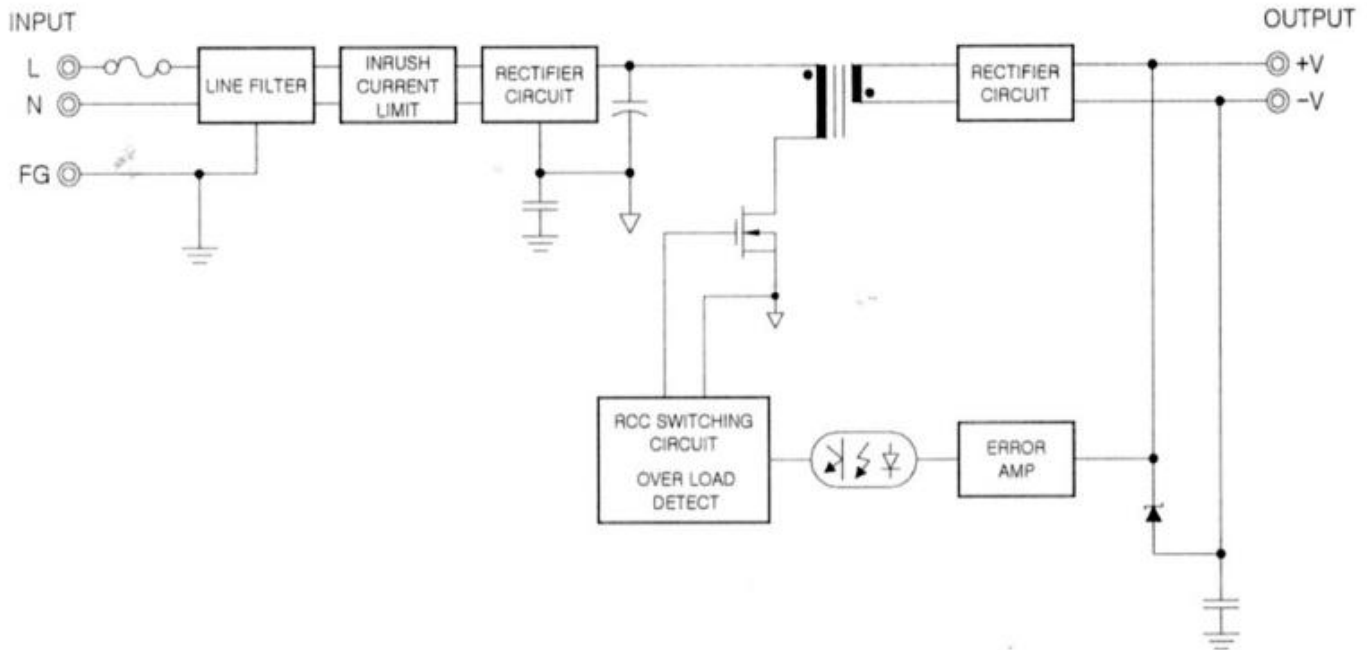


| MODEL/CHANNEL | | Unit | AOBN15-3.3 | AOBN15-5 | AOBN15-9 | AOBN15-12 | AOBN15-15 | AOBN15-24 |
|-----------------------------|------------------------------|------------------------|--|-----------|-----------|-------------|-------------|-------------|
| OUTPUT | Nominal Voltage | V | 3.3 | 5 | 9 | 12 | 15 | 24 |
| | Setting Voltage Range | V | 3.27~3.33 | 4.95~5.05 | 8.91~9.09 | 11.88~12.12 | 14.85~15.15 | 23.76~24.24 |
| | Current | A | 3 | 3 | 1.6 | 1.2 | 1 | 0.6 |
| | Ripple | W | 50 | 50 | 90 | 120 | 150 | 240 |
| | Line Regulation | mV | 25 | 25 | 45 | 60 | 75 | 120 |
| | Load Regulation | mV | 50 | 50 | 90 | 120 | 150 | 240 |
| | Temperature Drift | mV | 49.5 | 75 | 135 | 180 | 225 | 360 |
| | Ripple & Noise | mV | 100 | 100 | 135 | 180 | 225 | 290 |
| | Efficiency | % | 72 | 72 | 75 | 75 | 78 | 80 |
| | Turn-on Time typ. | ms | 500 max(AC IN 85V, Io=100%) | | | | | |
| Hold-up Time typ. | ms | 10(AC IN 85V, Io=100%) | | | | | | |
| INPUT | Voltage, Frequency | V | AC100-240V (AC85~264VAC), 50/60Hz(47-63) or DC 125-370V (User selectable) | | | | | |
| | Current Typ. | A | 0.37 | | | | | |
| | Inrush Current Typ. | A | 20(AC IN 110V, Io=100%) 40(AC IN 220V, Io=100%) | | | | | |
| | Leakage | mA | 3.5 | | | | | |
| Function | Over Current Protection (*2) | A | Works @110% at peak current and recovers automatically | | | | | |
| Electrical Isolation | (1) Input-Output | - | AC 3 KV 1 min., cut-off: 20mA / DC 500V 100 MΩ | | | | | |
| | (2) Input-F.G | - | AC 2 KV 1 min., cut-off: 20mA / DC 500V 100 MΩ | | | | | |
| | (3) Output-F.G | - | AC 0.5 KV 1 min., cut-off: 10mA / DC 500V 100 MΩ | | | | | |
| Environment | Operating temp. & Humidity | - | -10 ~+60°C with deratingm 20~90% RH (NON condensing) | | | | | |
| | Storage temp. & Humidity | - | -20 ~75°C, 20~90% RH (NON condensing) | | | | | |
| | Vibration | - | 10~55Hz @ 1 G 3 minutes PERIOD, 30 minutes along X,Y & Z axis | | | | | |
| | Safety | - | CE, UL 60950-1, C-UL | | | | | |
| | Emission | - | Complies with EN55022-B, FCC-B, EN55011 | | | | | |
| | Harmonic | - | Complies with IEC61000-3-2 | | | | | |
| Dimension | Size(WxLxH) / Weight | mm/g | 115Wx50Lx26H/ 200 | | | | | |

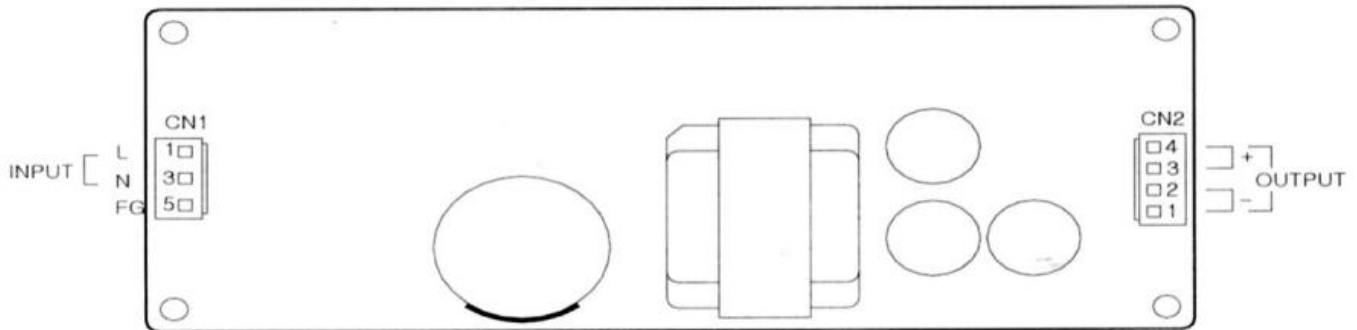




Block Diagram



Dimensional Drawings



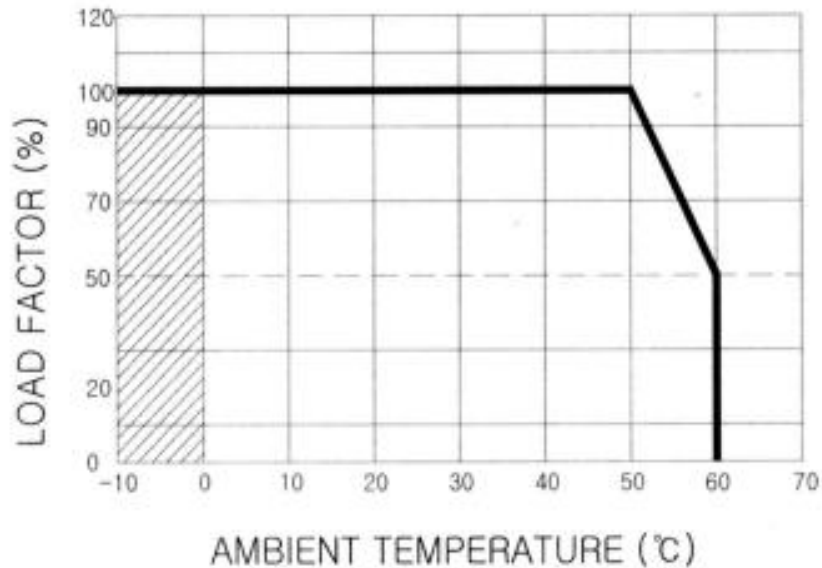
| | | |
|-----|------|----------|
| CN1 | 1 | AC (L) |
| | 3 | AC (N) |
| | 5 | FG |
| CN2 | 1, 2 | OUTPUT - |
| | 3, 4 | OUTPUT + |

| | I/O Connector | Mating Connector | Terminal | Manufacturer |
|-----|---------------|------------------|----------|--------------|
| CN1 | YW396-05V | YH396-05V | YT396 | 연호 전자 |
| CN2 | 5045-04A | 5051-04 | 4809 | MOLEX |

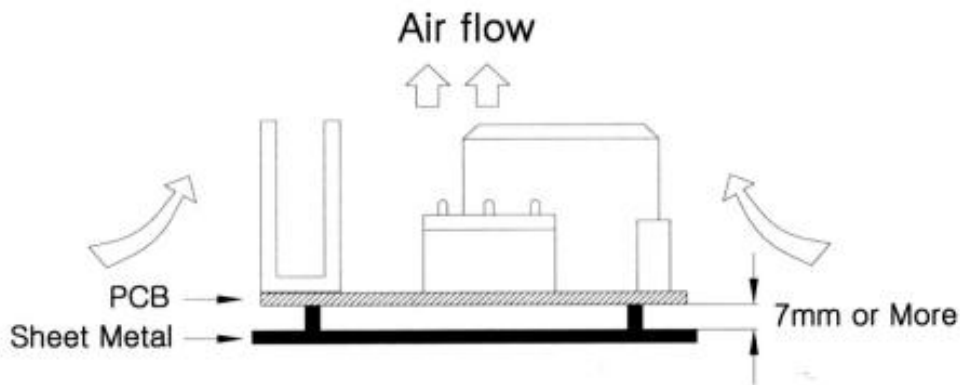




Derating Curve



Mounting Diagram





Mechanical Drawings

