



ETA-USA

The Power Professionals

AOPS 75

75W AC/DC



Features

- Small Size
- Wide Input voltage range
- Over voltage protection
- Overcurrent protection
- High power factor built in PFC circuit
- **4 Yr warranty**



MODEL/CHANNEL		Unit	AOPS75-3.3	AOPS75-5	AOPS75-9	AOPS75-12	
OUTPUT	Nominal Voltage	V	3.3	5	9	12	
	Current	A	15	15	8.4	6.4	
	Rated Power	W	50	75	76	77	
	Ripple	mV	80	80	90	120	
	Line Regulations	mV	25	25	45	60	
	Load Regulations	mV	50	50	90	120	
	Temperature Drift	mV	50	75	135	180	
	Ripple & Noise(pk-pk) (*1)	mV	120	120	140	180	
	Turn-on Time typ.	ms	600 (AC IN 110/220V, Io=100%)				
	Hold-up Time typ.	ms	17 (AC IN 110/220V, Io=100%)				
INPUT	Voltage, Frequency	V	AC100-240(AC88-264), 50/60HZ(47-440Hz) (Universal Input)				
	Current Typ.	110V 220V	A	0.7 0.4	1.3 0.8		
	Efficiency	110V 220V	%	78 80	82 85	82 85	83 85
	Power Factor Typ.	110V 220V	-	0.98 (Io=100%) 0.94 (Io=100%)	0.99 (Io=100%) 0.95 (Io=100%)		
	Inrush Current Typ.	110V 220V	A	20 (Ta=25°C, Cold Start) 40 (Ta=25°C, Cold Start)			



ETA-USA

16170 Vineyard Blvd. Suite 180 Morgan Hill, CA 95037 <http://www.eta-usa.com>

Toll-free (US only): 800-ETA-POWR (800-382-7697) Telephone: 408 778-2793 FAX: 408-779-2753



AOPS 75

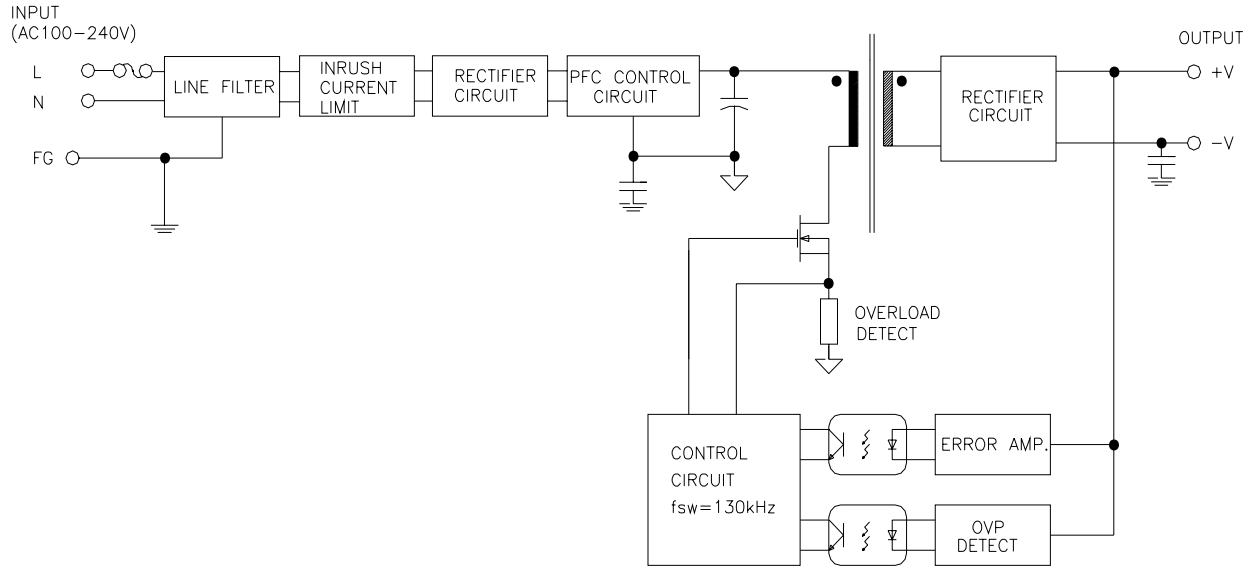
75W AC/DC

MODEL/CHANNEL		Unit	AOPS75-15	AOPS75-24	AOPS75-48	
OUTPUT	Nominal Voltage	V	15	24	48	
	Current	A	5	3.2	1.6	
	Rated Power	W	75	77	77	
	Ripple	mV	150	240	480	
	Line Regulations	mV	75	120	240	
	Load Regulations	mV	150	240	480	
	Temperature Drift	mV	225	360	720	
	Ripple & Noise(pk-pk) (*1)	mV	200	290	530	
	Start-up, Rise Time max.	ms	600 (AC IN 110/220V, Io=100%)			
	Hold-up Time typ.	ms	17 (AC IN 110/220V, Io=100%)			
INPUT	Voltage, Frequency	V	AC100-240(AC88-264), 50/60Hz(47-440Hz)(Universal Input)			
	Current	110V Typical 220V	A	0.1 0.5		
	Efficiency	110V Typ. 220V	%	80 85	82 84	82 84
	PFC	110V Typ. 220V	-	0.99 (Io=100%) 0.95 (Io=100%)		
	Inrush Current	110V Typical 220V	A	20(Ta=25°C, Cold Start) 40(Ta=25°C, Cold Start)		
	Function	Over Voltage Protection	V	Works at 115~140% of rating		
Over Current Protection (*2)		A	Works @ 105% of rating			
Electrical Isolation	Input - Output	-	AC 3KV 1min., cut-off: 20mA / DC 500V 100 MO			
	Input - F.G	-	AC 2KV 1min., cut-off: 20mA / DC 500V 100 MO			
	Output - F.G	-	AC 0.5 KV 1min., cut-off: 100mA / DC 500V 100 MO			
Environment	Operating temp. & Humidity	-	-10 ~+70°C (with derating, Io=100% to 50% when 50°C to 71°C) 20~90% RH(Non Condensing)			
	Storage temp. & Humidity	-	-20 ~+75°C, 20~90% RH (Non Condensing)			
	Vibration	-	10~55Hz @ 1G 3 minutes PERIOD, 30 minutes along X,Y, & Z axis			
	Impact	-	10G for 20ms, once on each X, Y, Z axis			
Dimension	Size(LxWxH) /Weight	mm/g	81.2 x 135 x 35.5/ 384			
	Safety	-	CB, CE, RU			
	Emission	-	Complies with EN55022-B			
	PFHC	-	Harmonic Current; Complies with IEC61000-3-2			





Block Diagram



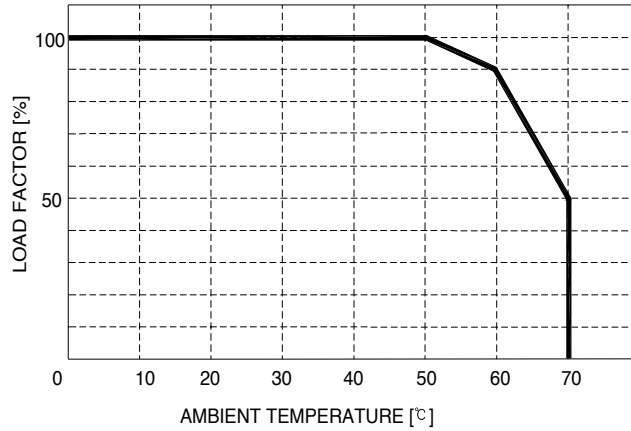
Terminal Connection

Mark	Pin Connection	Function
L	AC L	SMPS AC Terminal (Fuse in Line)
N	AC N	SMPS AC Terminal
F.G	Frame ground	SMPS AC, CASE
+V	DC Output (+)	DC (+) Terminal
-V	DC Output (-)	DC (-) Terminal

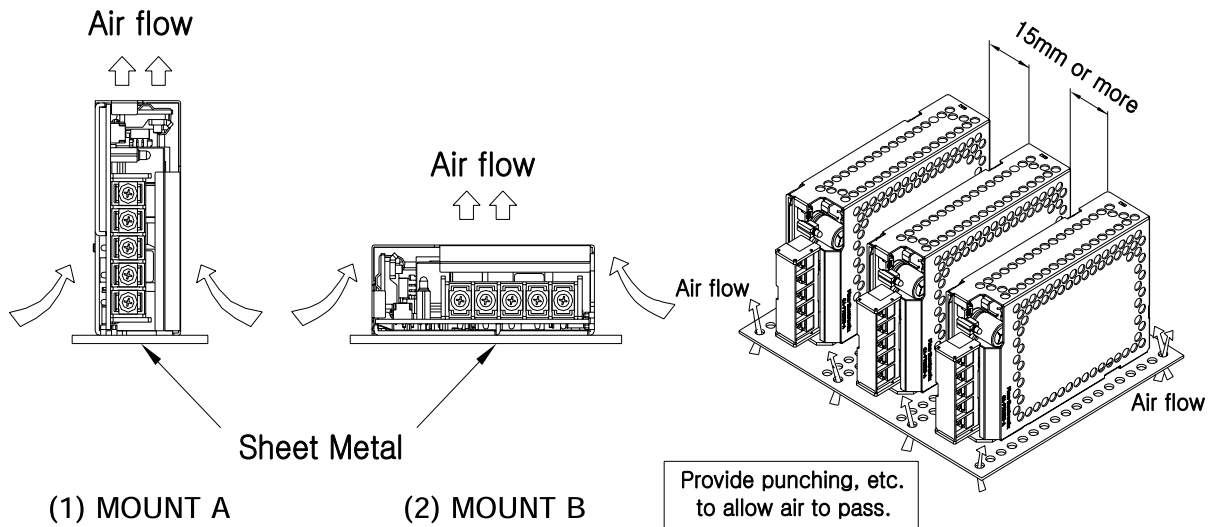




Derating Curve



Mounting

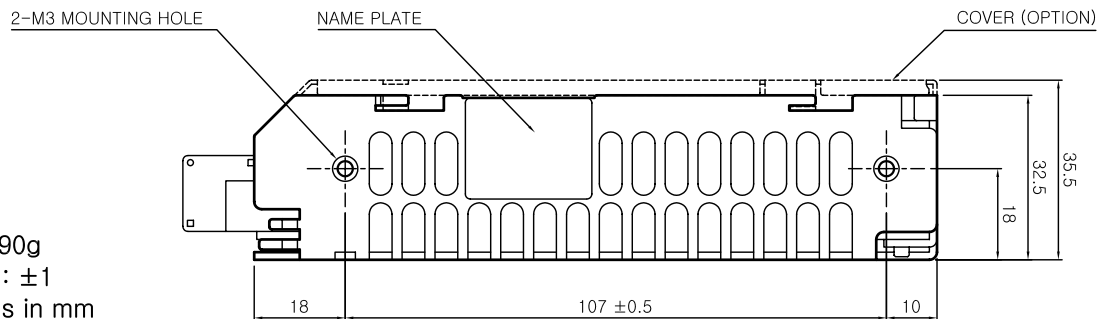
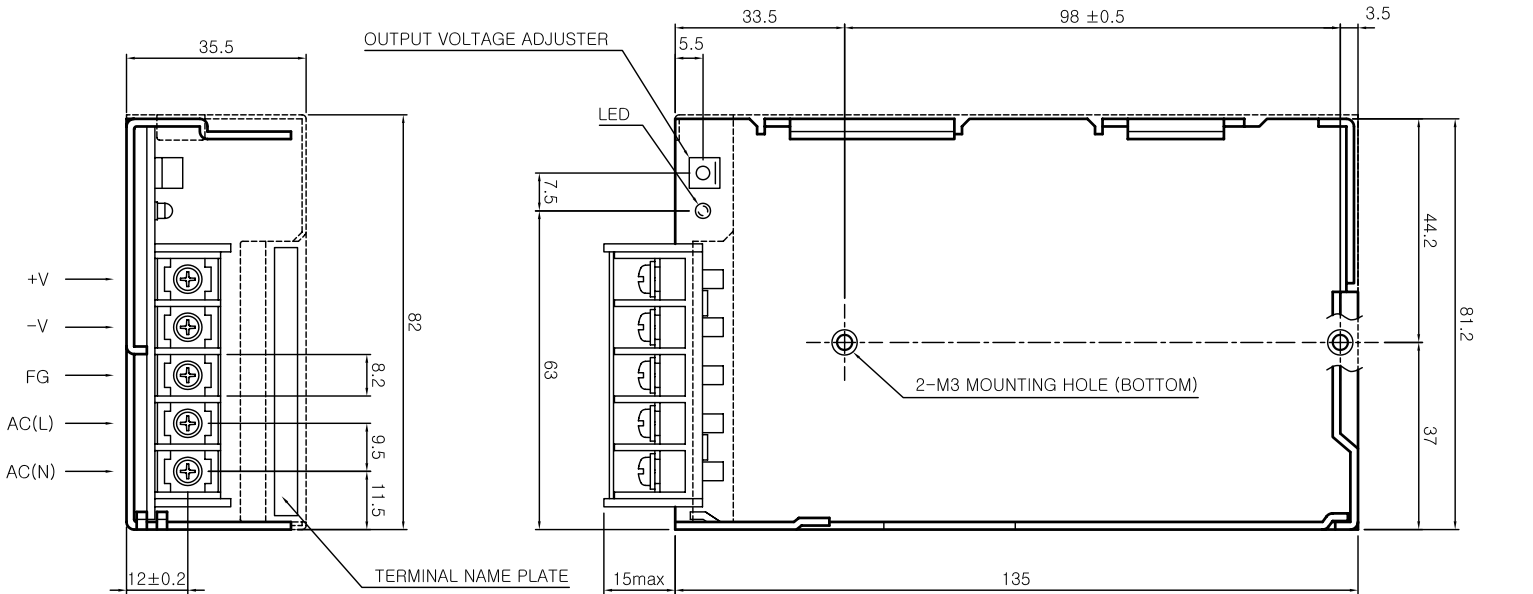




ETA-USA

The Power Professionals

Mechanical Drawings



- * Weight : 390g
- * Tolerance : ±1
- * Dimensions in mm



ETA-USA

16170 Vineyard Blvd. Suite 180 Morgan Hill, CA 95037 <http://www.eta-usa.com>
Toll-free (US only): 800-ETA-POWR (800-382-7697) Telephone: 408 778-2793 FAX: 408-779-2753