



ETA-USA

The Power Professionals

AOPS15

15W AC/DC



Features

- Inrush current protection
- Over Current Protection
- RU, CE recognized
- 2 year Warranty



MODEL/CHANNEL		Unit	AOPS15-3.3	AOPS15-5	AOPS15-9	AOPS15-12
OUTPUT	Nominal Voltage	V	3.3	5	9	12
	OCP	-	3.3~4.8	3.3~4.8	1.87~2.46	1.43~1.88
	Current	A	3	3	1.7	1.3
	Rated Power	W	10	15	15	16
	Ripple	mV	80	80	120	120
	Line Regulations	mV	25	25	45	60
	Load Regulations	mV	50	50	90	120
	Temperature Drift	mV	75	75	135	180
	Ripple & Noise(pk-pk)	mV	120	120	150	150
Efficiency	110V	%	65	75	75	75
	220V		68	76	76	76
MODEL/CHANNEL		Unit	AOPS15-15		AOPS15-24	
	Nominal Voltage	V	15		24	
	OCP	-	1.1~1.45		.77~1.02	
	Current	A	1		0.7	
	Rated Power	W	15		17	
	Ripple	mV	120		120	
	Line Regulations	mV	75		120	
	Load Regulations	mV	150		240	
	Temperature Drift	mV	225		360	
	Ripple & Noise(pk-pk)	mV	150		150	
	Efficiency	%	77		77	
			220V	78		78
	Cooling	-	Convection Cooling			
	Start-up, Rise Time typ.	ms	200 max [AC IN 85V Io=100%]			
	Hold-up Time typ.	ms	17 typ [AC IN 85 Io=100%]			



ETA-USA

16170 Vineyard Blvd. Suite 180 Morgan Hill, CA 95037 <http://www.eta-usa.com>
 Toll-free (US only): 800-ETA-POWR (800-382-7697) Telephone: 408 778-2793 FAX: 408-779-2753

©2014 ETA-USA All Rights Reserved

ETA-USA reserves the right to make changes to the products and specifications without prior notice. Please contact the factory for latest information.

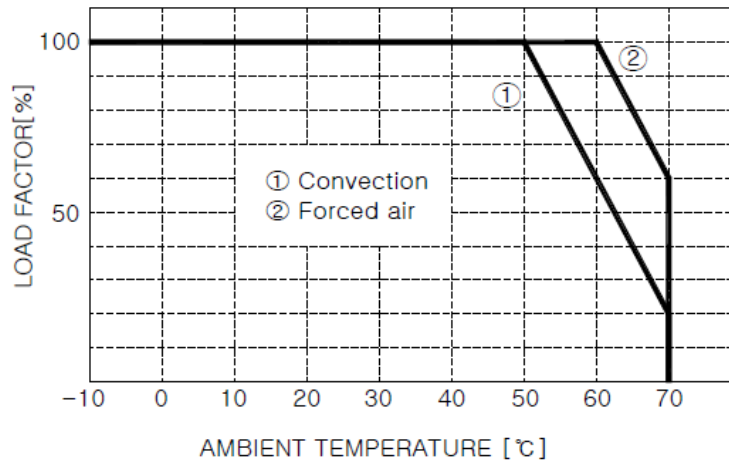


AOPS15

15W AC/DC

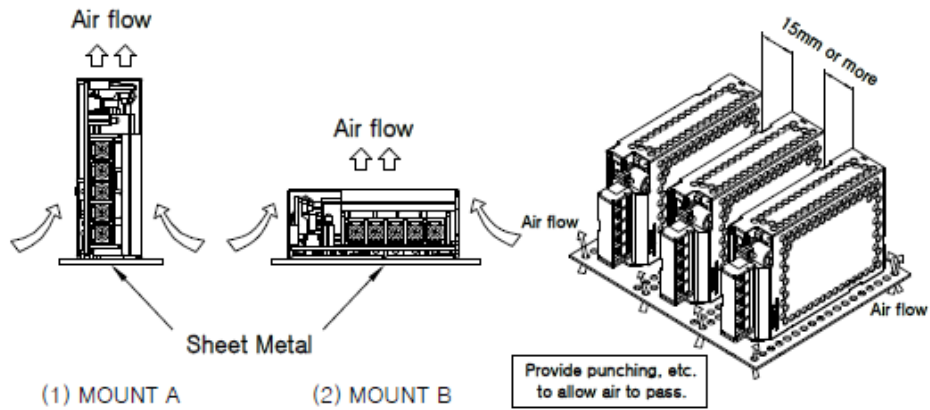
		Unit	
OUTPUT	Voltage, Frequency	V	AC85V~264V or DC120V~370V), 50/60Hz (47~440Hz) Universal Input voltage
	Current Typ.	110V 220V	0.3 0.4 0.15 @ 3.3 VDC 0.2 all other voltages
Function	Inrush Current Typ.	A	110V 20 (Ta=25°C, Io=100% at cold Start); 220V 40 (Ta=25°C, Io=100% at cold start)
	Leakage Current	mA	3.5
	Cooling/O.T.P	-	10G for 20ms once on each X, Y and Z axis
Electrical Isolation	(1) Input	-	AC 3 KV 1 minute current 20mA, DC 500V 100MΩ (At room temperature & Humidity)
	(2) Input - F.G	-	AC 2 KV 1 minute current 20mA, DC 500V 100MΩ (At room temperature & Humidity)
	(3) Output - F.G	-	AC 0.5 KV 1 minute current 100mA, DC 500V 100MΩ (At room temperature & Humidity)
Environment	Operating temp. & Humidity	-	-10 ~ +70°C, 20 ~ 90% RH(Non condensing)
	Storage temp. Humidity	-	-20 ~ +75°C, 20 ~ 90% RH(Non condensing)
	Vibration	-	10 ~ 55Hz at 1G, 3 minutes period, 30 minutes along X, Y and Z axis
Dimension	Size(WxLxH)/Weight	mm/g	82x28x65/200g
	Safety	-	CE, RU, 2nd Ed+AM1+AM2
	Emission	-	Conducted Emission EN55022-A

Derating Curve



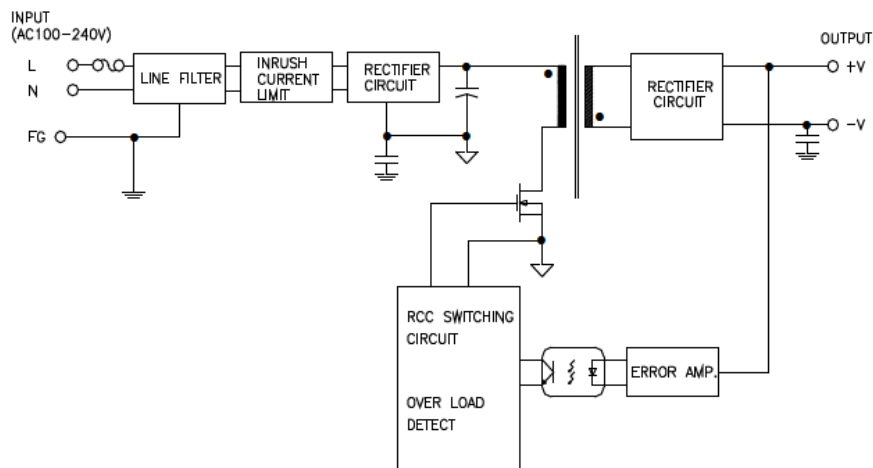


Mechanical Drawings



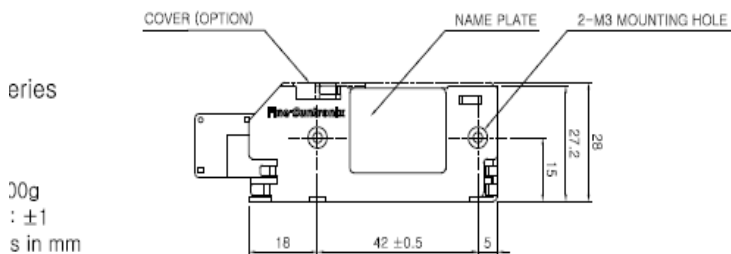
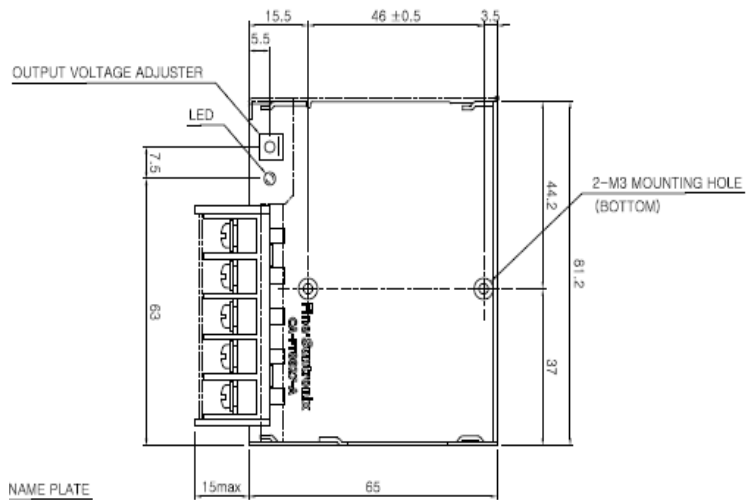
Block Diagram

1. BLOCK DIAGRAM





Dimensional Diagram

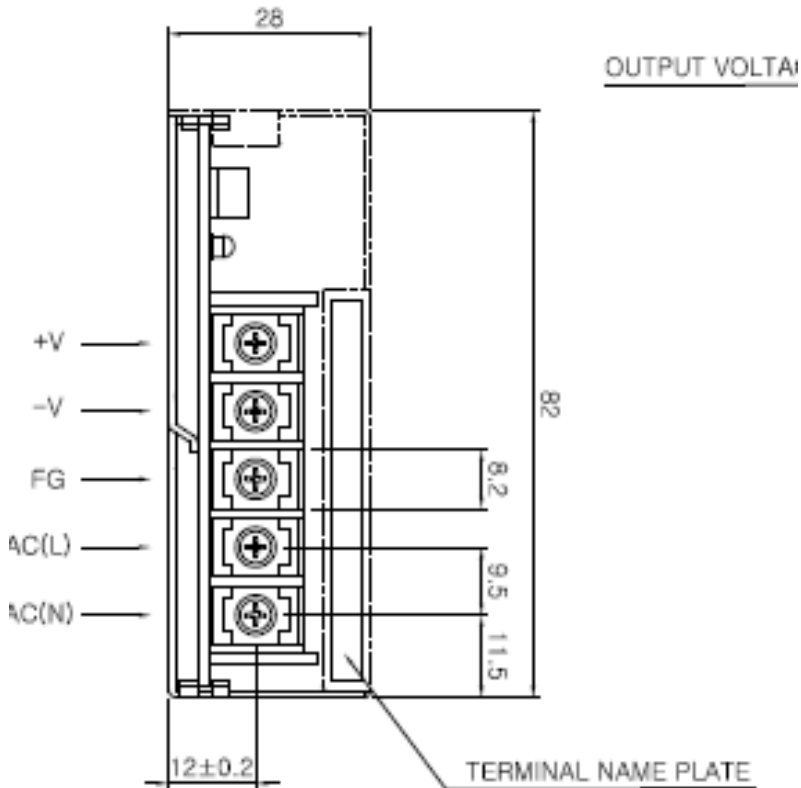




ETA-USA

The Power Professionals

Terminal Output



ETA-USA

16170 Vineyard Blvd. Suite 180 Morgan Hill, CA 95037 <http://www.eta-usa.com>
Toll-free (US only): 800-ETA-POWR (800-382-7697) Telephone: 408 778-2793 FAX: 408-779-2753

©2014 ETA-USA All Rights Reserved

ETA-USA reserves the right to make changes to the products and specifications without prior notice. Please contact the factory for latest information.