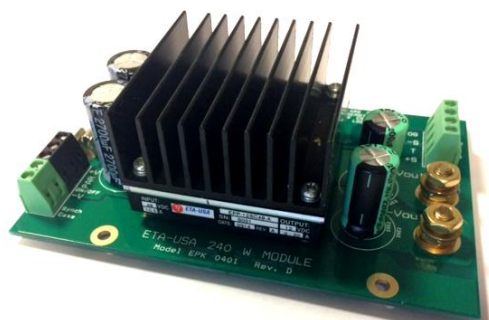




## EPK Series

## 200W



### FEATURES

- 200W & 250W DC/DC Convection cooled
  - High Efficiency
  - High Density
  - Available voltages: 12, 15, 24 28 and 48 (on 48Vin model only)
  - Over current protection
  - Over voltage protection
  - Thermal protection
  - Designed for rail and ground transportation applications
- 3.3 VDC & 5 VDC special order**



MODEL/CHANNEL		Unit	EPK200-12SC28	EPK200-15SC28	EPK200-24SC28	EPK200-28SC28	
<b>OUTPUT (Single)</b>	Output Voltage	Vdc	12	15	24	28	
	Output Current	A	16.7	13.4	8.4	7.2	
	Drift	mV	40	60	90	90	
	Ripple	-20~100°C	mV	120	120	120	120
		-40~-20°C	mV	150	150	150	200
	Ripple and Noise	-20~100°C	mVp	150	150	150	150
		-40~-20°C	mVp	200	200	200	250
	Temp. Reg	0~+65°C	mV	120	150	240	280
		-40~+100°C	mV	240	300	480	560
	Line Regulation	mV	24	30	48	56	
Load Regulation	mV	24	30	48	56		
Wattage	W		200.4	201	201.6	201.6	
Efficiency	%		87				
<b>INPUT</b>	Input Voltage	Vdc	DC18-36V				
	Input Current	A	9.6 A Typ (Fused at 15A)				
<b>Environment</b>	Operating Temperature	°C	-40 to 100°C				
	Vibration	-	10-55Hz, 49m/s <sup>2</sup> (5G), 3 minutes period, 60 minutes each along X, Y and Z axis				
	Storage Temperature	°C	-40 to +100°C, 20 -95%RH (Non condensing), 9,000m (30,000 feet) max				
	Thermal Protection	-	Voltage Derating at 100°C reset by turning RC off for 1 sec				
	Impact	-	196.1m/s <sup>2</sup> (20G), 11ms, once each along X, Y and Z axis				
	Operating Humidity/Altitude	%	-40 to +100°C (On aluminum base plate), 20-95%RH (Non condensing) 3,000m (10,000 feet) max				
<b>Protection</b>	Over Current Protection	A	Works at 105% of rated current; auto-recovery				
	Over Voltage Protection	V	13.8-16.8	17.25-21	27.16-28.84	32.2-39.2	
<b>Dimension</b>	Size(WxLxH) / Weight	in/g	3.5x5.3x1.5 inches				
	Safety Features	-	UL60950-1	C-UL	EN60950-1 (on power module)		





MODEL/CHANNEL		Unit	EPK200-12SC48	EPK200-15SC48	EPK200-24SC48	EPK200-28SC48	EPK200-48SC48
	Output Voltage	Vdc	12	15	24	28	48
	Output Current	A	16.7	13.4	8.4	7.2	4.2
	Drift	mV	40	60	90	90	180
	Ripple	-20~100°C -40~ -20°C	120 150	120 150	120 150	120 150	200 250
	Ripple and Noise	-20~100°C -40~ -20°C	150 200	150 200	150 200	150 250	250 400
	Temp. Reg	0~+65°C -40~+100°C	120 240	150 300	240 480	280 560	480 900
	Line Regulation	mV	24	30	48	56	96
	Load Regulation	mV	24	30	48	56	96
	Wattage	W	200.4	201	201.6	201.6	201.6
	Efficiency	%	88				
<b>INPUT</b>	Input Voltage	Vdc	DC 36-76V				
	Input Current	A	4.6-4.7 A Typ(Fused at 8A)				
<b>Environment</b>	Operating Temperature	°C	-40 to 100°C				
	Vibration	-	10-55Hz, 49m/s <sup>2</sup> (5G), 3 minutes period, 60 minutes each along X, Y and Z axis				
	Storage Temperature	°C	-40 to +100°C, 20 -95%RH (Non condensing), 9,000m (30,000 feet) max				
	Thermal Protection	-	Voltage Derating at 100°C reset by turning RC off for 1 sec				
	Impact	-	196.1m/s <sup>2</sup> (20G), 11ms, once each along X, Y and Z axis				
	Operating Humidity/Altitude	%	-40 to +100°C (On aluminum base plate), 20-95%RH (Non condensing) 3,000m (10,000feet) max				
<b>Protection</b>	Over Current Protection	A	Works at 105% of rated current; auto-recovery				
	Over Voltage Protection	V	13.8-16.8	17.25-21	27.16-28.84	32.2-39.2	55.2-67.2
<b>Dimension</b>	Size(WxLxH) / Weight	in/g	3.5x5.3x1.5 inches				
	Safety Features	-	UL60950-1	C-UL	EN60950-1 (on power module)		





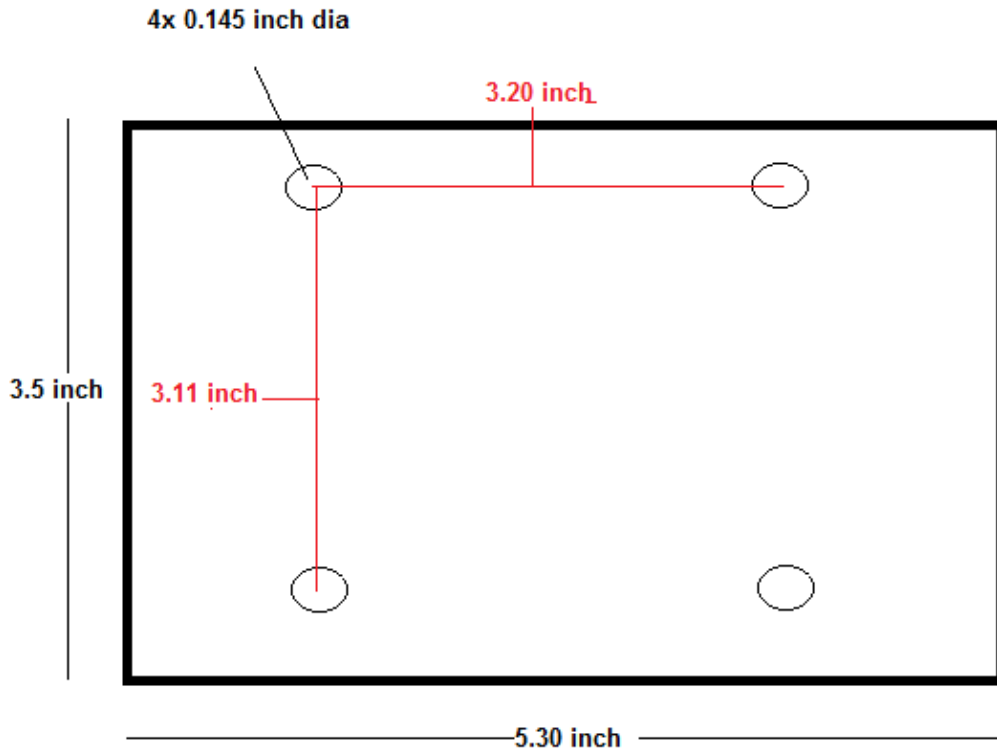
MODEL/CHANNEL		Unit	EPK200-05SC110	EPK200-12SC110	EPK200-15SC110	EPK200-24SC110
	Output Voltage	Vdc	5	12	15	24
	Output Current	A	40	16.7	13.4	8.4
	Drift	mV	20	40	60	90
	Ripple	-20~100°C -40~ -20°C	80 120	120 150	120 150	120 150
	Ripple and Noise	-20~100°C -40~ -20°C	200 240	200 300	200 300	250 300
	Temp. Reg	0~+65°C 40~+100°C	50 100	120 240	150 300	240 480
	Line Regulation	mV	10	24	30	48
	Load Regulation	mV	10	24	30	48
	Wattage	W	200	200	201	201
	Efficiency	%	88			
<b>INPUT</b>	Input Voltage	Vdc	DC 60-160			
	Input Current	A	2.1 A Typ(Fused at 5A)			
<b>Environment</b>	Operating Temperature	°C	-40 to 100°C			
	Vibration	-	10-55Hz, 49.0m/s2 (5G), 3 minutes period, 60 minutes each along X, Y and Z axis			
	Storage Temperature	°C	-40 to +100°C, 20 -95%RH (Non condensing), 9,000m (30,000feet) max			
	Thermal Protection	-	Voltage Derating at 100°C reset by turning RC off for 1 sec			
	Impact	-	196.1m/s2 (20G), 11ms, once each along X, Y and Z axis			
	Operating Humidity/Altitude	%	-40 to +100°C (On aluminum base plate), 20 -95%RH (Non condensing) 3,000m (10,000 feet) max			
<b>Protection</b>	Over Current Protection	A	Works at 105% of rated current; auto-recovery			
	Over Voltage Protection	-	6.3-7.3	13.9-16.35	17.25-20.25	27.6-32.4
<b>Dimension</b>	Size(WxLxH) / Weight	in/g	3.5x5.3x1.5 inches			
	Safety Features	-	UL60950-1 C-UL EN60950-1 (on power module)			





MODEL/CHANNEL		Unit	EPK200-12SC300	EPK200-15SC300	EPK200-24SC300	EPK200-28SC300	EPK200-48SC300	
	Output Voltage	Vdc	12	15	24	28	48	
	Output Current	A	21	16.5	10.5	9	5.2	
	Drift	mV	40	60	90	90	180	
	Ripple	mV	-20~100°C	120	120	120	120	120
			-40~ -20°C	150	150	150	150	250
			0~15%load	240	240	240	240	400
	Ripple and Noise	mVp	-20~100°C	120	120	120	120	250
			-40~ -20°C	200	200	200	200	400
			0~15%load	300	300	300	300	500
	Temp. Reg	mV	0~+65°C	120	150	240	280	480
			40~+100°C	240	300	480	560	960
	Line Regulation	mV	24	30	48	56	96	
	Load Regulation	mV	24	30	48	56	96	
	Wattage	W	251	248	251	251	249	
	Efficiency	%	88				89	
<b>INPUT</b>	Input Voltage	Vdc	DC 200-400					
	Input Current	A	1A Typ( Fused at 8A)					
<b>Environment</b>	Operating Temperature	°C	-40 to 100°C					
	Vibration	-	10-55Hz, 49m/s <sup>2</sup> (5G), 3 minutes period, 60 minutes each along X, Y and Z axis					
	Storage Temperature	°C	-40 to +100°C, 20 -95%RH (Non condensing), 9,000m (30,000feet) max					
	Thermal Protection	-	Voltage Derating at 100°C reset by turning RC off for 1 sec					
	Impact	-	196.1m/s <sup>2</sup> (20G), 11ms, once each along X, Y and Z axis					
	Operating Humidity/Altitude	%	-40 to +100°C (On aluminum base plate), 20 -95%RH (Non condensing) 3,000m (10,000feet) max					
<b>Protection</b>	Over Current Protection	A	Works at 105% of rated current; auto-recovery					
	Over Voltage Protection	-	13.9-16.3	17.25-20.2	27.6-32.4	32.2-37.8	55.2-64.8	
<b>Dimension</b>	Size(WxLxH) / Weight	in/g	3.5x5.3x1.5 inches					
	Safety Features	-	UL60950-1	C-UL	EN60950-1 (on power module)			





### Part Number Construction

