

OBQ05SCxxxxI

3 WATT DC/DC POWER SUPPLY



FEATURES

Wide input 4:1
 Low noise
 Tight regulation $\pm 0.5\%$ MAX
 High Isolation Voltage

*Image for marketing purposes only-unit may differ

RoHS

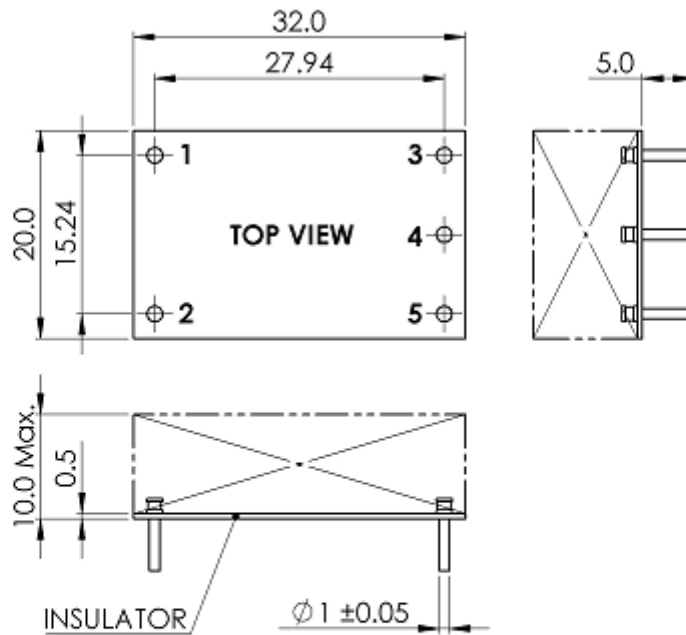
		UNIT	OBQ05SC0512I	OBQ05SC1224I	OBQ05SC2448I
INPUT	Nom Voltage (Range)	V	12VDC 4.5~16 VDC	24VDC 8~32 VDC	48VDC 18~72VDC
	Current Typ.	mA	30mA Typ At no load	44mA Typ At no load	30mA Typ At no load
	Start-up Time	ms	30 MAX	30 MAX	30 MAX

		UNIT	OBQ05SC0512 / OBQ05DC1224 / OBQ05SC2448I	
OUTPUT	Nominal Voltage	VDC	5VDC	
	OUTPUT VDC ACCURACY	%	2%	
	Current	mA	500	
	Total Pwr	W	2.5	
	Efficiency	%	82 TYP	@Vin=12Vdc
	Line Regulation	%	$\pm 0.5\%$ MAX	At LL TO HL, Full Load
	Load Regulation	%	$\pm 0.5\%$ MAX	At 25%FL TO 100%FL
	Startup Time	ms	15 MAX	
	Ripple Noise	mVp-p	100mVp-p MAX	@20MHz BANDWIDTH
	Temp Coefficient		0.03%/°C MAX	
	Short circuit protect	Type	Continuous/ Auto-recovery	
	Cooling		Convection	



ISOLATION	Voltage		1500Vdc for 1 minute
	Resistance		Min. 100 MΩ @ 500 Vdc
	Operating temp		-20°C ~ +71°C
Environment	Storage		-20°C ~ +85°C
	Vibration		Mil-STD 202G
	Humidity		90 %
Dimension	WxL	mm	32x20 / 4.5g

DIMENSIONS AND PINOUT



PIN Assignment

PIN	1	2	3	4	5
FUNCTION	+Vin	-Vin	+Vout	Trim	-Vout





Temperature Derating Graph

