



ETA-USA

HIGH QUALITY SWITCHING POWER SUPPLIES

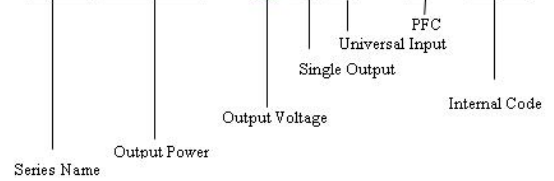
AC/DC SWITCHING POWER SUPPLY
MEDICAL GRADE/OPEN FRAME100W
WITH PFC
AC INPUT 85~264
SINGLE OUTPUT

ZMD100-SX-F-NG SERIES



General Description

ZM D100 - x S X - F - NG



Input

Input Voltage Range: *1 AC85-264V
Input Current (typ.): 1.3A/0.8A (100/200V AC)
Input Inrush Current (typ.): 20A/40A (100/200V AC)
 *3 47-63Hz
Input Frequency Range: *1 0.9 (100/200V AC)
Power Factor (typ.):





ETA-USA

HIGH QUALITY SWITCHING POWER SUPPLIES

Output Characteristic	Unit	Models	
		ZMD100-15SX-F-NG	ZMD100-24SX-F-NG
Rated Output Voltage	Vdc	15	24
Rated Output Power	W	101	101
Rated Output Current	A	6.7	4.2
Output voltage range	V	13.5~16.5	21.6~26.4
Ripple and noise (max.)	mVpp	180	
Hold up time	mS	20mSec.(100V/200V AC full load)	
Regulation			
a. Line Regulation (max.)	mV	60	100
b. Load Regulation (max.)	mV	120	150
c. Temperature Regulation(max.)	/°C	0.02/°C	
Efficiency	*2	%	82%





ETA-USA

HIGH QUALITY SWITCHING POWER SUPPLIES

Environmental Specification		
Operating Temperature	-10 to +60 °C (50~60°C derating curve)	
Operating Humidity	20~90%RH (no dew condensation permitted)	
Storage Temperature	-20 to +75 °C	
Storage Humidity	10~95%RH (no dew condensation permitted)	
Cooling	Natural Cooling	
Dielectric Strength		
Withstand Voltage	Input-output 4000V AC for 1 min Input-FG 2000V AC for 1 min Output-FG 500V AC 1min	
Insulation Resistance	Input-output 100MΩ or more at 500V DC Input-FG 100MΩ or more at 500V DC Output-FG 100MΩ or more at 500V DC	
Function		
Over Current Protection *4	7.04A	4.4A
Over Voltage Protection *5	17.3~20.3V	27.6~32.4V
Remote Sensing	N/A	
Remote On/Off control	N/A	
Operational status indicator	None	
Environmental Agencies		
Safety Standard	Based on IEC60601、EN60601、UL60601、IEC60950	
EMI	Based on FCC Class B、CISPR11-Class B、VCCI Class B	
EMS		
Harmonic correction	IEC61000-3-2 A-14	
Structure & Others		
Series Operation	Permitted	
Parallel Operation	Not Permitted	
Leakage Current	0.1mA/0.2mA (132V/264V AC)	
Vibration Resistance	5~10Hz:amplitude 10mm, 10~55Hz:sweep 1min. Acceleration:19.6m/s ² direction:X,Y,Z for 1 hour each	
Shock Resistance	196 m/S ² or less	
Mechanical		
Dimension [mm]	37×90×160	
Weight [g] (typical)	400g	

*1: Rated input voltage range for safety standard application is 100-240V AC 50/60Hz

*2: Input volt :100/200V AC, full load, Ta:25°C

*3: Input volt :100/200V AC, full load, Ta:25° , cold start Specification may differ depending on temperature or power on again because of power thermistor.

*4: Over-load protection: constant current limit with automatic recovery.

*5: Output shutdown method. Output returns by power on again.



ETA USA

16170 Vineyard Blvd. Suite 180, Morgan Hill, CA 95037
Phone: 1-800-ETA-POWR, (408) 778-2793 Fax: (408) 779-2753

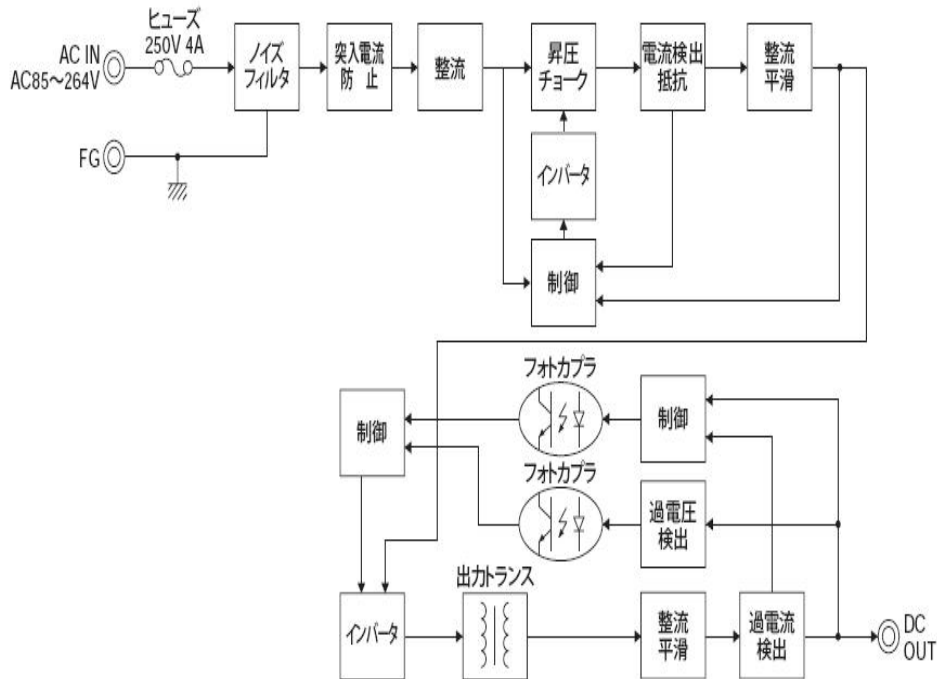
Visit us at: www.eta-usa.com
email at: sales@eta-usa.com



ETA-USA

HIGH QUALITY SWITCHING POWER SUPPLIES

Block Diagram



Connector Specification

名称	ピン名称		使用メーカー、型名	適合ハウジング(ターミナル)
P1 入力	1PIN	AC (L)	日本圧着端子 B3P5-VH	日本圧着端子 VHR-5N (SVH-21T-P1.1)
	2PIN	無し		
	3PIN	AC (N)		
	4PIN	無し		
	5PIN	FG		

名称	ピン名称		使用メーカー、型名	適合ハウジング(ターミナル)
P51 出力	1PIN	-	日本圧着端子 B6P-VH	日本圧着端子 VHR-6N (SVH-21T-P1.1)
	2PIN	-		
	3PIN	-		
	4PIN	+		
	5PIN	+		
	6PIN	+		





ETA-USA

HIGH QUALITY SWITCHING POWER SUPPLIES

Dimension Diagram

