



ETA-USA

HIGH QUALITY SWITCHING POWER SUPPLIES

AC/DC SWITCHING POWER
SUPPLY (AC FRONT END)

RuD Series

RuDSX

Input Characteristic	
Rated Voltage [V]	AC100 - 120 / 200-240
Input Current [A]Typ. *1	1.8-1.6 / 0.9-0.8
Input Range [V]	AC85 ~ 132 / 170 ~ 264(Automatic select)
Input Frequency [Hz]	50 - 60
Input Frequency Range [Hz]	47 ~ 63
Phase	1
Inrush Current [A] MAX.	40
Efficiency [%]Typ. *1	95(AC100V INPUT) / 96(AC200V INPUT)
Power Factor Typ.	Not specified
Output Characteristic	
Rated Output Voltage [V]	AC100V RANGE:INPUT AC VOLTAGEx2.6±15V / AC200V RANGE:INPUT AC VOLTAGEx1.3±15V
Rated Output Power [W]	110
Voltage Adjustment	Not available
Ripple and Noise [Vp-p]Max.	40
Regulation	
a. Line Regulation [V]Max.	Not specified
b. Load Regulation [V]Max.	Not specified
c. Temp. Coefficient [mV/°C]	Not specified
d. Drift [mV]Max.	Not specified
e. Dynamic Load Reg. [mV] Typ. *2	Not specified
f. Recovery Time	Not specified
Rise-Up Time	Not specified
Hold-Up Time	Not specified
Attached Function	
Over Current Protection	Not Available
Over voltage Protection	Not Available
Remote Sense	Not Available
Remote Control	Not Available
Power Fail	Not Available
Power Factor Correction	Not Available
Environment	
Operating Temperature	-10~50[°C] (at 100% load) ,
Operating Humidity	20 ~90[%RH]
Storage Temperature	-20 ~ 85[°C]
Storage Humidity	20 ~ 90[%RH]
Withstanding Voltage	Primary-Frame Ground AC2000V 1minute (Sens Current 20[mA])
Isolation Resistance	P-FG 100[MΩ]Min. DC500[V]
Vibration	5~10[Hz] 10[mm], 10~55[Hz] 19.6[m/S^2] 20minute/cycle X,Y,Z Axes
Shock	294[m / S^2]
Cooling	Convection cooling
Leak Current	1.0 [mA]Max
EMI	Line conduction noise EN55022 Class B
Harmonic Current	Not specified
Safety	Expect to Apply for UL : UL60950 C-UL: CSA C22.2 No.950
Weight [g]	1500
MTBF [H]	510,000 Min. (by EIAJ RCR-9102)
Frequency [kHz]Typ.	Not specified
Dimension	56(w)×110(d)×32(h) not include input and output terminal



ETA USA

16170 Vineyard Blvd. Suite 180, Morgan Hill, CA 95037
Phone: 1-800-ETA-POWER, (408) 778-2793 Fax: (408) 779-2753

Visit us at: www.eta-usa.com
email at: sales@eta-usa.com



ETA-USA

HIGH QUALITY SWITCHING POWER SUPPLIES

RuDSX-S

Input Characteristic

Rated Voltage [V]	AC100 - 120 / 200-240
Input Current [A]Typ. *1	1.8-1.6 / 0.9-0.8
Input Range [V]	AC85 ~ 132 / 170 ~ 264(Automatic select)
Input Frequency [Hz]	50 - 60
Input Frequency Range [Hz]	47 ~ 63
Phase	1
Inrush Current [A] MAX.	40
Efficiency [%]Typ. *1	95(AC100V INPUT) / 96(AC200V INPUT)
Power Factor Typ.	Not specified

Output Characteristic

Rated Output Voltage [V]	AC100V RANGE:INPUT AC VOLTAGEx2.6±15V / AC200V RANGE:INPUT AC VOLTAGEx1.3±15V
Rated Output Power [W]	110
Voltage Adjustment	Not available
Ripple and Noise [Vp-p]Max.	40
Regulation	
a.Line Regulation [V]Max.	Not specified
b.Load Regulation [V]Max.	Not specified
c.Temp. Coefficient [mV/°C]	Not specified
d.Drift [mV]Max.	Not specified
e.Dynamic Load Reg.[mV]Typ.*2	Not specified
f. Recovery Time	Not specified
Rise-Up Time	Not specified
Hold-Up Time	Not specified

Attached Function

Over Current Protection	Not Available
Over voltage Protection	Not Available
Remote Sense	Not Available
Remote Control	Not Available
Power Fail	Not Available
Power Factor Correction	Not Available

Environment

Operating Temperature	-10~50[°C] (at 100% load)
Operating Humidity	20 ~90[%RH]
Storage Temperature	-20 ~ 85[°C]
Storage Humidity	20 ~ 90[%RH]
Withstanding Voltage	Primary-Frame Ground AC2000V 1minute (Sens Current 20[mA])
Isolation Resistance	P-FG 100[MΩ]Min. DC500[V]
Vibration	5~10[Hz] 10[mm],10~55[Hz] 19.6[m/S^2] 20minute/cycle X,Y,Z Axes
Shock	294[m / S^2]
Cooling	Convection cooling
Leak Current	1.0 [mA]Max

EMI Line conduction noise EN55022 Class B

Harmonic Current Not specified

Safety Expect to Apply for UL : UL60950 C-UL: CSA C22.2 No.950

Weight [g] 1500

MTBF [H] 510,000 Min. (by EIAJ RCR-9102)

Frequency [kHz]Typ. Not specified

Dimension 56(w)×110(d)×32(h) not include input and output terminal



ETA USA
16170 Vineyard Blvd. Suite 180, Morgan Hill, CA 95037
Phone: 1-800-ETA-POWER, (408) 778-2793 Fax: (408) 779-2753

Visit us at: www.eta-usa.com
email at: sales@eta-usa.com



ETA-USA

HIGH QUALITY SWITCHING POWER SUPPLIES

RuDSX-P	
Input Characteristic	
Rated Voltage [V]	AC100 - 120 / 200-240
Input Current [A]Typ. *1	1.8-1.6 / 0.9-0.8
Input Range [V]	AC85 ~ 132 / 170 ~ 264(Automatic select)
Input Frequency [Hz]	50 - 60
Input Frequency Range [Hz]	47 ~ 63
Phase	1
Inrush Current [A] MAX.	40
Efficiency [%]Typ. *1	95(AC100V INPUT) / 96(AC200V INPUT)
Power Factor Typ.	Not specified
Output Characteristic	
Rated Output Voltage [V]	AC100V RANGE:INPUT AC VOLTAGE×2.6 ±15V/AC200V RANGE:INPUT AC VOLTAGE×1.3±15V
Rated Output Power [W]	110
Voltage Adjustment	Not available
Ripple and Noise [Vp-p]Max.	40
Regulation	
a.Line Regulation [V]Max.	Not specified
b.Load Regulation [V]Max.	Not specified
c.Temp. Coefficient [mV/°C]	Not specified
d.Drift [mV]Max.	Not specified
e.Dynamic Load Reg.[mV]Typ.*2	Not specified
f. Recovery Time	Not specified
Rise-Up Time	Not specified
Hold-Up Time	Not specified
Attached Function	
Over Current Protection	Not Available
Over voltage Protection	Not Available
Remote Sense	Not Available
Remote Control	Not Available
Power Fail	Not Available
Power Factor Correction	Not Available
Environment	
Operating Temperature	-10~50[°C](at 100% load) ,
Operating Humidity	20 ~90[%RH]
Storage Temperature	-20 ~ 85[°C]
Storage Humidity	20 ~ 90[%RH]
Withstanding Voltage	Primary-Frame Ground AC2000V 1minute (Sens Current 20[mA])
Isolation Resistance	P-FG 100[MΩ]Min. DC500[V]
Vibration	5~10[Hz] 10[mm],10~55[Hz] 19.6[m/S^2] 20minute/cycle X,Y,Z Axes
Shock	294[m / S^2]
Cooling	Convection cooling
Leak Current	1.0 [mA]Max
EMI	Line conduction noise EN55022 Class B
Harmonic Current	Not specified
Safety	Expect to Apply for UL : UL60950 C-UL: CSA C22.2 No.950
Weight [g]	1500
MTBF [H]	510,000 Min. (by EIAJ RCR-9102)
Frequency [kHz]Typ.	Not specified
Dimension	56(w)×110(d)×35.5(h) not include input and output terminal



ETA USA
 16170 Vineyard Blvd. Suite 180, Morgan Hill, CA 95037
 Phone: 1-800-ETA-POWER, (408) 778-2793 Fax: (408) 779-2753

Visit us at: www.eta-usa.com
 email at: sales@eta-usa.com



ETA-USA

HIGH QUALITY SWITCHING POWER SUPPLIES

RuDSX-SP

Input Characteristic

Rated Voltage [V]	AC100 - 120 / 200-240
Input Current [A]Typ. *1	1.8-1.6 / 0.9-0.8
Input Range [V]	AC85 ~ 132 / 170 ~ 264(Automatic select)
Input Frequency [Hz]	50 - 60
Input Frequency Range [Hz]	47 ~ 63
Phase	1
Inrush Current [A] MAX.	40
Efficiency [%]Typ. *1	95(AC100V INPUT) / 96(AC200V INPUT)
Power Factor Typ.	Not specified

Output Characteristic

Rated Output Voltage [V]	AC100V RANGE:INPUT AC VOLTAGEx2.6±15V / AC200V RANGE:INPUT AC VOLTAGEx1.3±15V
Rated Output Power [W]	110
Voltage Adjustment	Not available
Ripple and Noise [Vp-p]Max.	40

Regulation

a.Line Regulation [V]Max.	Not specified
b.Load Regulation [V]Max.	Not specified
c.Temp. Coefficient [mV/°C]	Not specified
d.Drift [mV]Max.	Not specified
e.Dynamic Load Reg.[mV]Typ.*2	Not specified
f. Recovery Time	Not specified
Rise-Up Time	Not specified
Hold-Up Time	Not specified

Attached Function

Over Current Protection	Not Available
Over voltage Protection	Not Available
Remote Sense	Not Available
Remote Control	Not Available
Power Fail	Not Available
Power Factor Correction	Not Available

Environment

Operating Temperature	-10~50[°C] (at 100% load)
Operating Humidity	20 ~90[%RH]
Storage Temperature	-20 ~ 85[°C]
Storage Humidity	20 ~ 90[%RH]
Withstanding Voltage	Primary-Frame Ground AC2000V 1minute (Sens Current 20[mA])
Isolation Resistance	P-FG 100[MΩ]Min. DC500[V]
Vibration	5~10[Hz] 10[mm], 10~55[Hz] 19.6[m/S^2] 20minute/cycle X,Y,Z Axes
Shock	294[m / S^2]
Cooling	Convection cooling
Leak Current	1.0 [mA]Max
EMI	Line conduction noise EN55022 Class B
Harmonic Current	Not specified
Safety	Expect to Apply for UL : UL60950 C-UL: CSA C22.2 No.950
Weight [g]	1500
MTBF [H]	510,000 Min. (by EIAJ RCR-9102)
Frequency [kHz]Typ.	Not specified
Dimension	56(w)×110(d)×35.5(h) not include input and output terminal

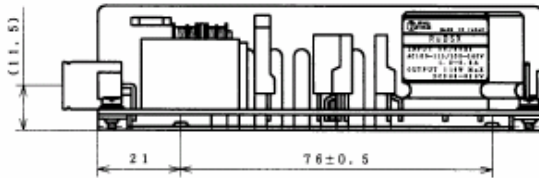
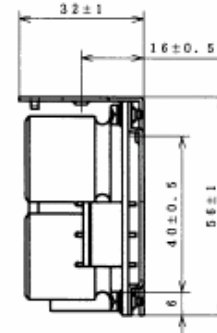
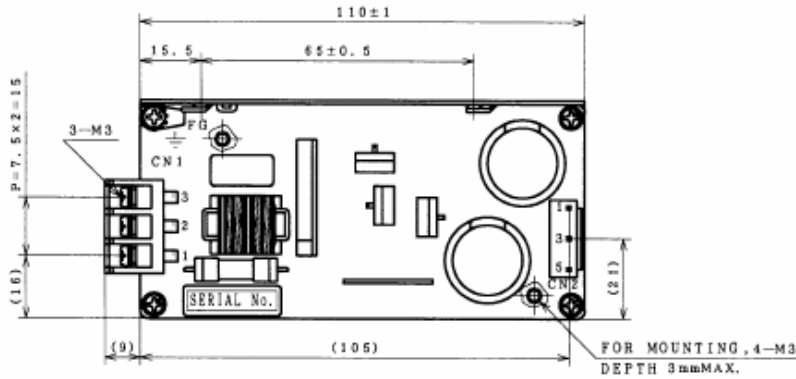




ETA-USA

HIGH QUALITY SWITCHING POWER SUPPLIES

Outline Drawing RuDSX



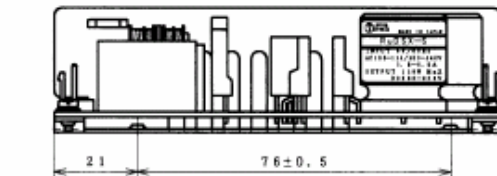
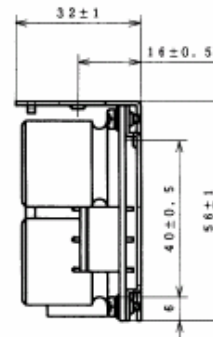
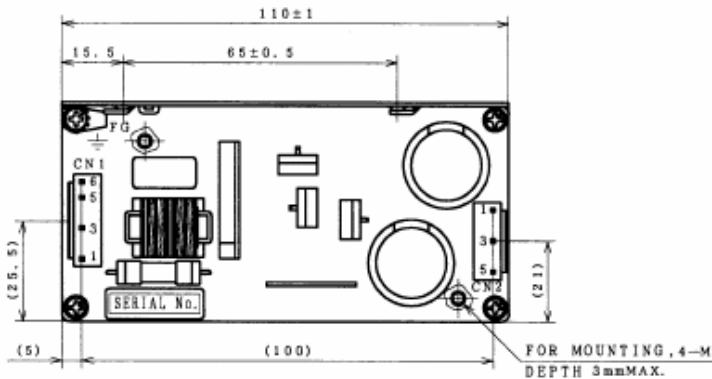
CONNECTIONS

C N 1	
PIN No.	Function
1	AC (L)
2	AC (N)
3	F G

C N 2	
PIN No.	Function
1	F G
3	0V OUT
5	+V OUT

Housing	Contact	Maker
CN2	VHR-5N	SVH-21T-P1.1 JST

Outline Drawing RuDSX-S



CONNECTIONS

C N 1	
PIN No.	Function
1	AC (L)
3	AC (N)
5	F G

C N 2	
PIN No.	Function
1	F G
3	0V OUT
5	+V OUT

Housing	Contact	Maker
CN1	VHR-6N	SVH-21T-P1.1 JST
CN2	VHR-5N	SVH-21T-P1.1 JST



ETA USA
16170 Vineyard Blvd. Suite 180, Morgan Hill, CA 95037
Phone: 1-800-ETA-POWER, (408) 778-2793 Fax: (408) 779-2753

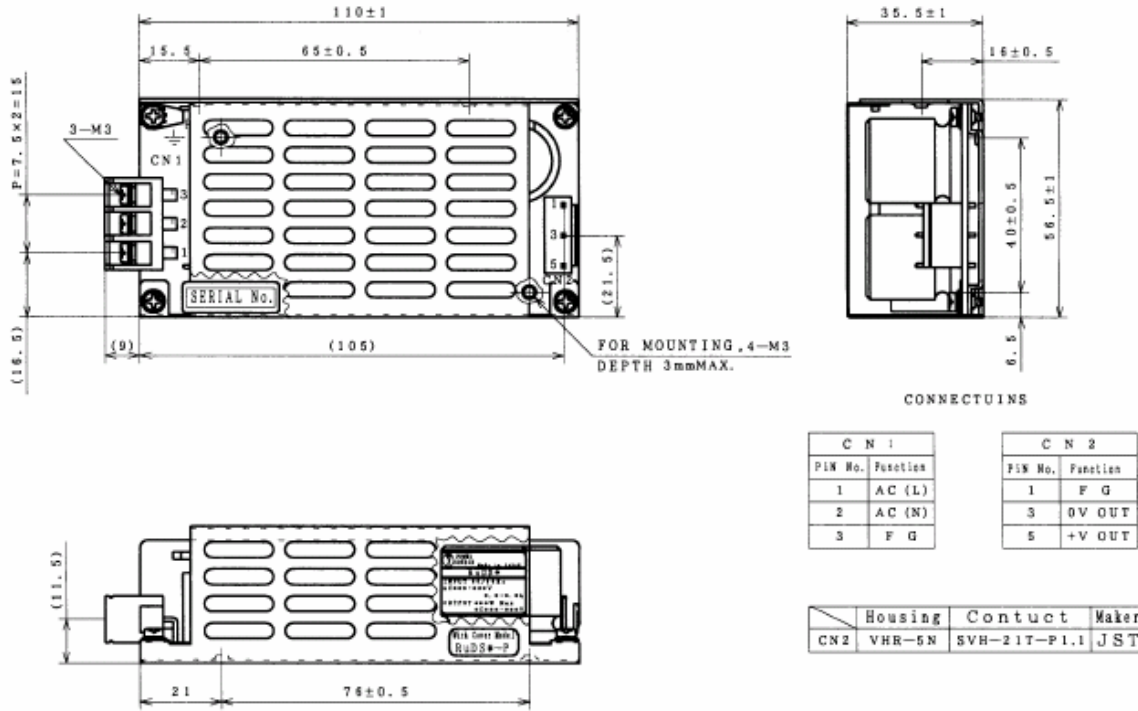
Visit us at: www.eta-usa.com
email at: sales@eta-usa.com



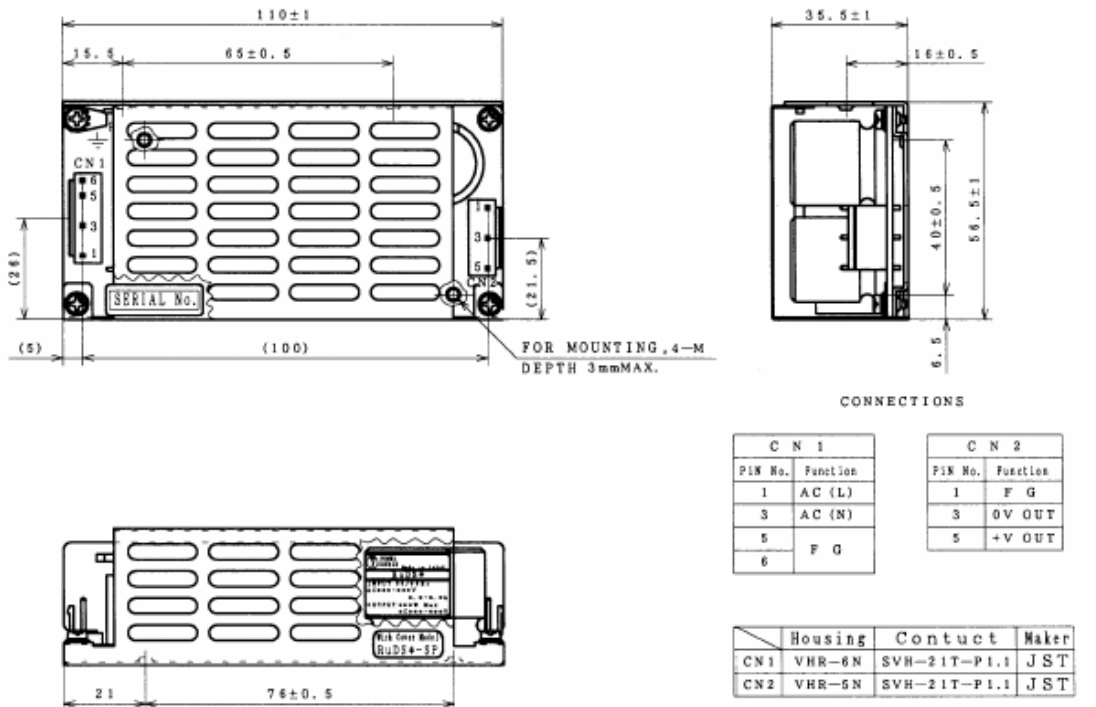
ETA-USA

HIGH QUALITY SWITCHING POWER SUPPLIES

Outline Drawing RuDSX-P



Outline Drawing RuDSX-SP





ETA-USA

HIGH QUALITY SWITCHING POWER SUPPLIES

Output Voltage vs Input Voltage

Input Voltage	AC85~264	[V]
Output Voltage		[V]
Output Power	0~110	[W]
Ta	-10, 25, 50	[°C]

