



DAC40-FWX Series

40 Watt AC/DC Dual Output



Dual Output
 Isolated output 3000VAC
 Internal Input Filter
 Up to 80% Efficiency
 Encapsulated compact size 3" X2"
 EN62368-1, CE recognized
 ITE & AC Motor Applications
 3 year Warranty
 -DAC25-20: 5V, 5V - DAC25-21: 5V, 24V
 -DAC25-22:12V,12V - DAC25-23:15V, 15V
 -DAC25-24: 5V, 12V -DAC25-25: 5V,15V
 -DAC25-26: 24V, 24V - DAC25-27: 3.3V, 5V



UNIT			
INPUT	Voltage/Freq	VAC	Universal Input voltage AC 90V ~ 264V 100~240 VAC 47 ~ 63Hz
	Input Voltage.	VDC	120 ~370VDC
	Min. Load	-	20% each output
	Inrush Current	A	115V 12A (Ta=25°C, Io=100% at cold Start); 230V 20A (Ta=25°C, Io=100% at cold Start)
	Line Frequency	Hz	47 ~ 63 Typ. 50/60

		UNIT	DAC40-20FWX	DAC40-21FWX	DAC40-22FWX	DAC40-23FWX
OUTPUT	Nominal Voltage	VDC	+/- 5	+5 /+24	+/- 12	+/- 15
	Efficiency typ	%	75	78	80	80
	Current	A	+/- 4	+5/+ 0.625	+/- 1.75	+/- 1.4
	Transient Recovery time	uSec	Vi nom, Io nom = ←→0.5 Io nom Typ. 1000 uSec			
	Line Regulation	%	+/-1%	+/-1%	+/-1%	+/-1%
	Load Regulation	%	+/-5%	+/-5%	+/-5%	+/-5%
	Ripple Noise 20MHz BW full load	mVp-p	150	150/240	150	150
	Voltage Accuracy	%	5	5	5	5
	Over Load Protection		Auto Recovery Above 110% rated output Power Protection type: Recovers automatically after fault condition is removed			
	Short Circuit Protection		CONT. Auto Recovery			
Over Voltage Protection		120%-150% rated output Voltage		Protection type: Zener diode clamp		





		UNIT	DAC40-24FWX	DAC40-25 FWX	DAC40-26FWX	DAC40-27FWX
OUTPUT	Nominal Voltage	VDC	+5/+12	+5 /+15	+/-24	+3.3 / +5
	Efficiency typ	%	75	75	80	72
	Current	A	+5/+1.250	+5/+ 1.0	+/- 0.875	5.0 / 2.0
	Transient Recovery time	uSec	Vi nom, lo nom = ←→0.5 lo nom Typ. 1000 uSec			
	Line Regulation	%	+/-1%	+/-1%	+/-1%	+/-1%
	Load Regulation	%	+/-5%	+/-5%	+/-5%	+/-5%
	Ripple Noise 20MHz BW full load	mVp-p	150/240	150/240	240	150/240
	Voltage Accuracy	%	5	5	5	5
	Over Load Protection -	Auto Recovery Above 110% rated output Power Protection type: Recovers automatically after fault condition is removed				
	Short Circuit Protection -	CONT. Auto Recovery				
Over Voltage Protection	120%-150% rated output Voltage Protection type: Zener diode clamp					

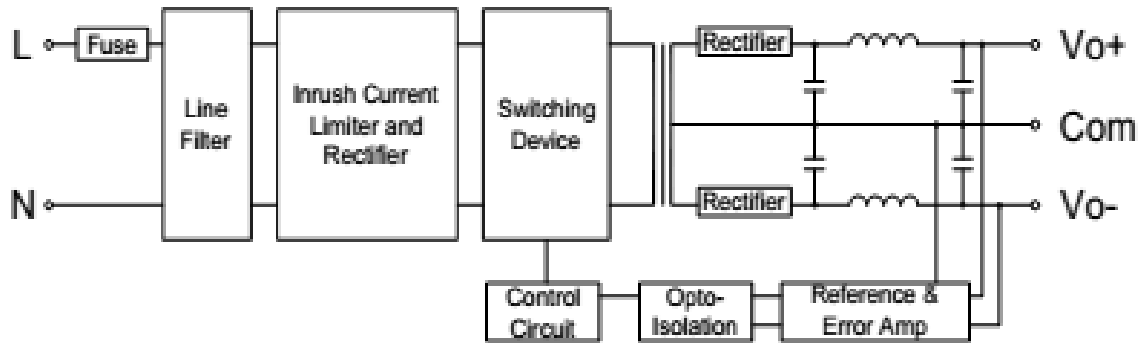
Isolation	Isolation Voltage	Input / Output 3KVac/ 5mA/5Secs
	Switching Frequency	65 KHz
	Isolation Resistance	Input / Output, @500 Vdc 100MΩ
Environment	Operating Temp/Hum.	-20~ +70°C
	Storage Temp/Hum.	-40 ~ +85°C HUMIDITY 95% 5RH%
	Derating	Vi nom, lo nom+51 to 71°C2 %/°C
Safety	CE EMI Conduction & Radiation	EN62368-1 Compliance to EN55022
	EMS Immunity	Compliance to EN55024
Size	MM	76.2 X 50.8 X 25.4 (mm) 3.5" X 2.5" X 1.25"



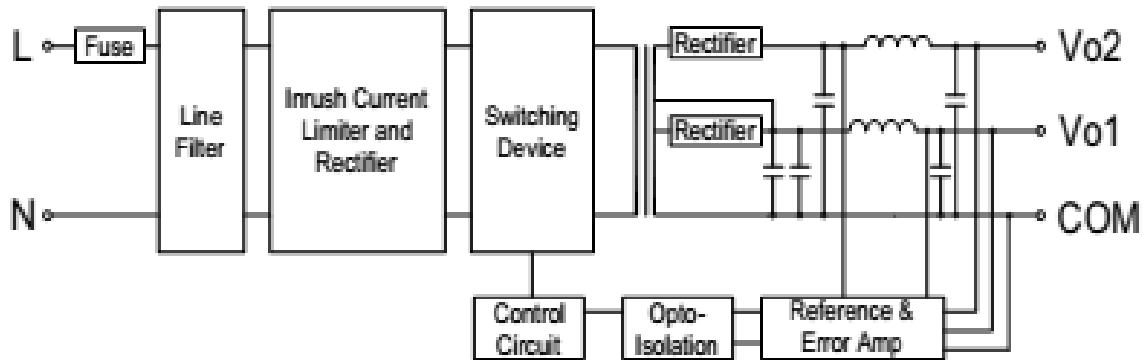


BLOCK DIAGRAM

DAC40-20FWX,-22FWX,-23FWX,-26FWX



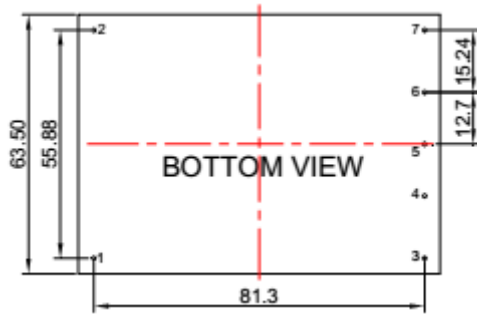
DAC40-21FWX, -24FWX, -25FWX, -27FWX





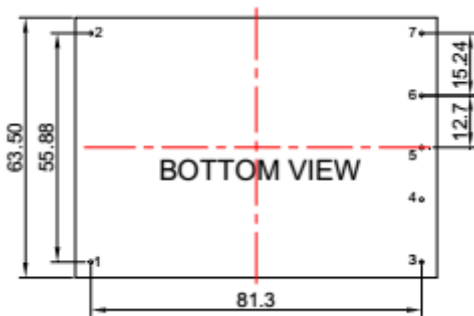
PINOUT

DAC40-20FWX,-22FWX,-23FWX,-26FWX



PIN	
1	ACN
2	ACL
3	+Vo
4	NO PIN
5	Com
6	NO PIN
7	-Vo

DAC40-21FWX, -24FWX, -25FWX, -27FWX

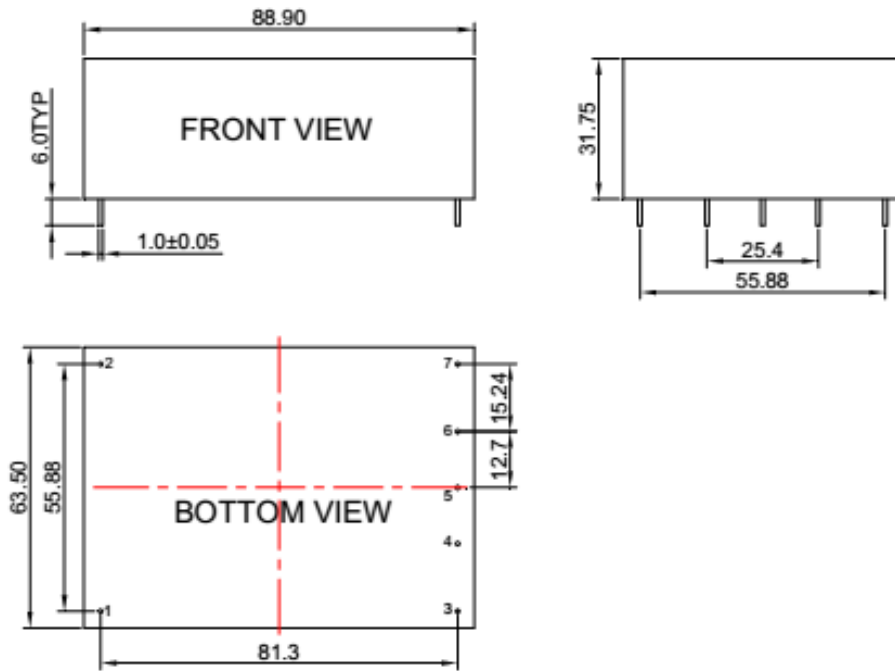


PIN	
1	ACN
2	ACL
3	+Vo2
4	+Vo1
5	Com
6	Com
7	NO PIN





DIMENSIONAL DRAWING (mm)



Unit : mm Unless otherwise specified, all tolerances are ± 0.50

OUTPUT DERATING CURVE (TEMPERATURE)

