



ETA-USA

The Power Professionals

WRM-FWX-O 15W AC/DC Dual Output

Features

- Universal Input
- Compact design with inrush current protection
- Dual Output
- WRM24FWX-O: 5V, 12V
- WRM22FWX-O: 12V, 12V
- WRM23FWX-O: 15V, 15V



MODEL/CHANNEL		Unit	WRM24 FWX-O		WRM22 FWX-O		WRM23 FWX-O		
OUTPUT	Nominal Voltage	V	5	12	12	12	15	15	
	Current	A	0.1~2	0.5	0.1~.7	0.7	0.1~.5	0.5	
	Line Regulations	mV	25	120	60	120	75	150	
	Load Regulations	mV	50	120	120	120	150	150	
	Ripple	mVp-p	80	120	120	120	120	120	
	Ripple and Noise	mVp-p	120	150	150	150	150	150	
	Temperature Drift	mV	75	180	180	180	225	225	
	Efficiency Typ.	%	68		70		70		
	Rise Time	mS	800 max [AC IN 110V/220V Io=100%]						
	Hold Up Time	mS	17 typ [AC IN 110V/220V,Io=100%]						
Grounding	-	Individual Ground							
MODEL/CHANNEL		Unit							
INPUT	Nominal Voltage	V	AC100V -240V (AC85V ~ 264V or DC125V~ 370V), 50 / 60Hz (47 ~ 440Hz) Universal Input voltage						
	Current Typ.	A	0.4A at 110V; 0.25A at 220V (Io=100%)						
	Inrush Current	A	20A typ (AC IN 110V, Io=100%), 40A typ (AC IN 220V, Io=100%) at cold start						
	Leakage	-	0.75						
Function	Overcurrent Protection	A	Works at 115~140% of rating						
	Over Voltage Protection	-	Works at 110% over rated current and recovers automatically						
	Input-Output	-	AC 3,000V 1minute current 20mA, DC 500V 100MΩ (At room temperature & Humidity)						
	Input-F.G.	-	AC 2,000V 1minute current 20mA, DC 500V 100MΩ (At room temperature & Humidity)						
	Output-F.G.	-	AC 500V 1 minute current 100mA, DC 500V 100MΩ (At room temperature & Humidity)						
Environment	Operating temp. & Hum.	-	-10 ~ +70°C, 20~90% RH(Non condensing)						
	Storage temp. & Hum.	-	-20 ~ +75°C, 20~90% RH(Non condensing)						
	Vibration	-	10~55Hz at 1G, 3 minutes period, 30 minutes along X, Y and Z axis						
	Impact	-	10G for 20ms once on each X, Y and Z axis						
Dimension	Size(WxLxH) / Weight	mm/g	82 x 31.5 x 84 (99) / 210						
	Safety	-	CE/CB IEC 60950-1, EN60950-1, Line Con RF Voltage EN55022-A						



ETA-USA

16170 Vineyard Blvd. Suite 180 Morgan Hill, CA 95037 <http://www.eta-usa.com>

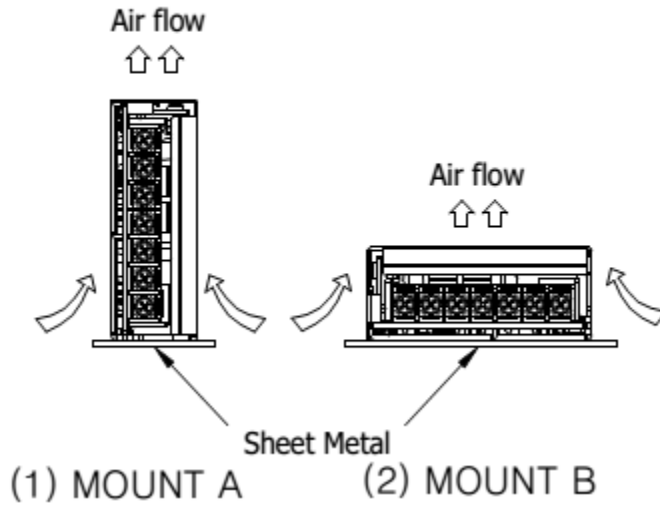
Toll-free (US only): 800-ETA-POWR (800-382-7697) Telephone: 408 778-2793 FAX: 408-779-2753

©2014 ETA-USA All Rights Reserved

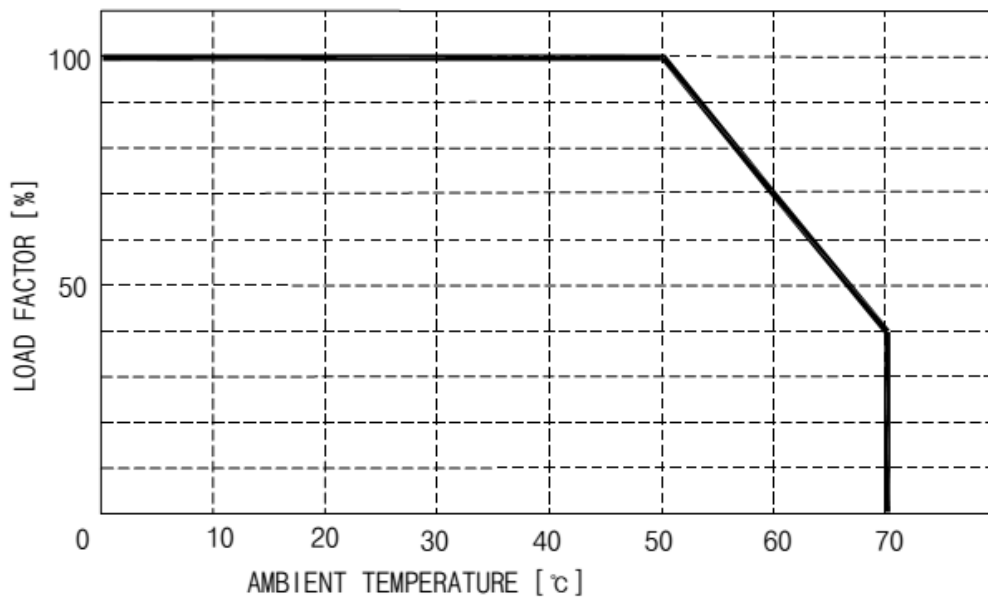
ETA-USA reserves the right to make changes to the products and specifications without prior notice. Please contact the factory for latest information.



Mounting Diagram



Derating Curve

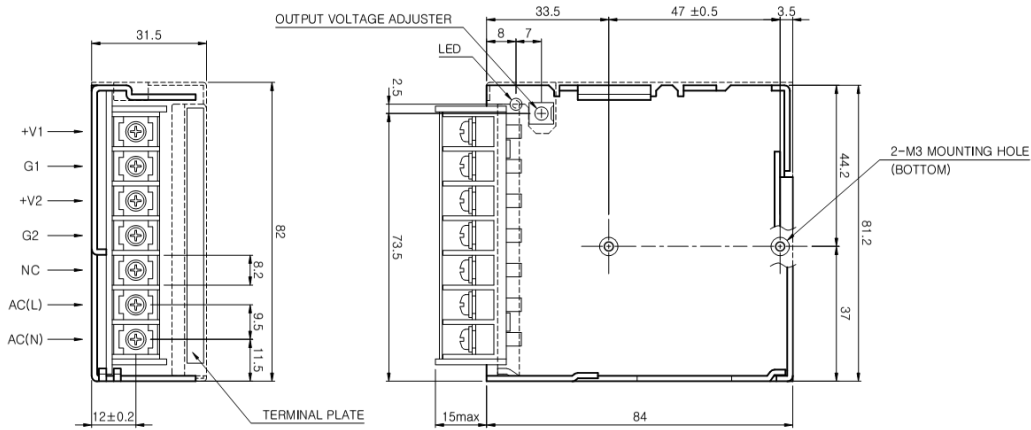




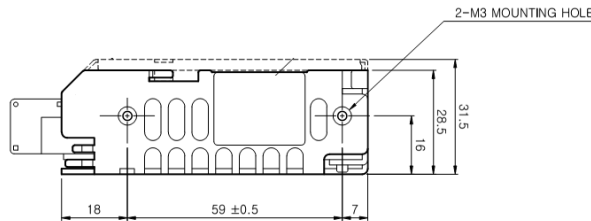
ETA-USA

The Power Professionals

Dimensional Drawing



Mark	Pin Connection
L	AC input line
N	AC input neutral
NC	
+V1	DC V1 Output
-V1	DC V1 Ground
+V2	DC V2 Output
-V2	DC V2 Ground

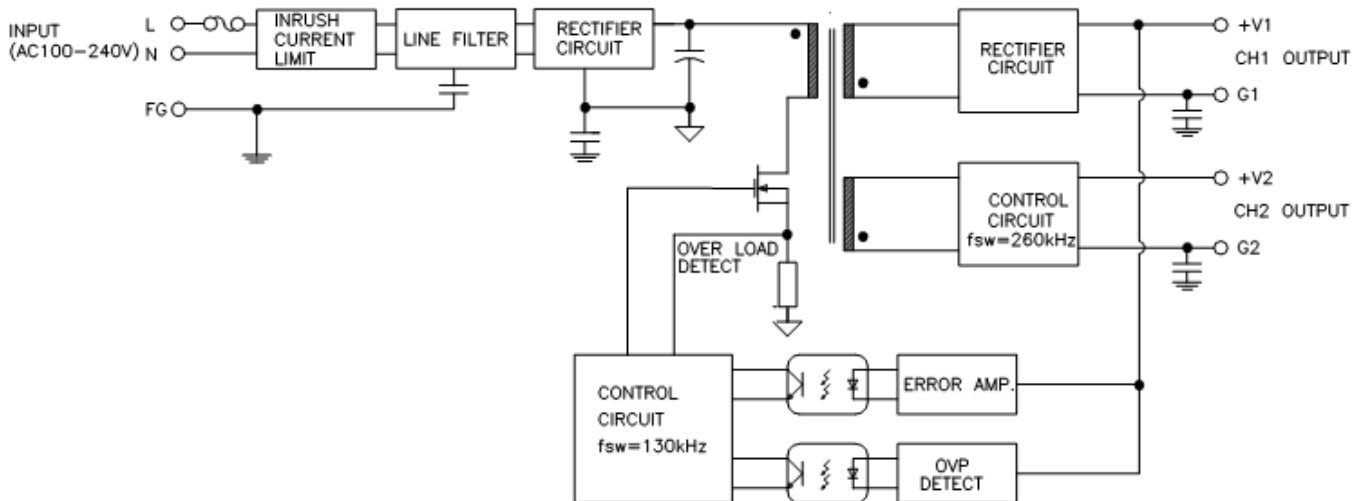


Block Diagram

WRM22FWX-O

WRM23FWX-O

WRM24FWX-O



ETA-USA

16170 Vineyard Blvd. Suite 180 Morgan Hill, CA 95037 <http://www.eta-usa.com>
Toll-free (US only): 800-ETA-POWR (800-382-7697) Telephone: 408 778-2793 FAX: 408-779-2753

©2014 ETA-USA All Rights Reserved

ETA-USA reserves the right to make changes to the products and specifications without prior notice. Please contact the factory for latest information.