



OBR22WC1224I

6 Watt DC/DC Power Supply



FEATURES

- Wide input 4:1
- Dual Output (+12/-12 VDC)**
- Low noise
- Tight regulation $\pm 0.5\%$ Max.
- High Isolation Voltage 1500 VDC



		UNIT	OBR23WC1224I
INPUT	Nom Voltage (Range)	V	24VDC 8~32 Vdc
	Current Typ.	mA	38mA Typ At no load
	Start-up Time	ms	10 MAX

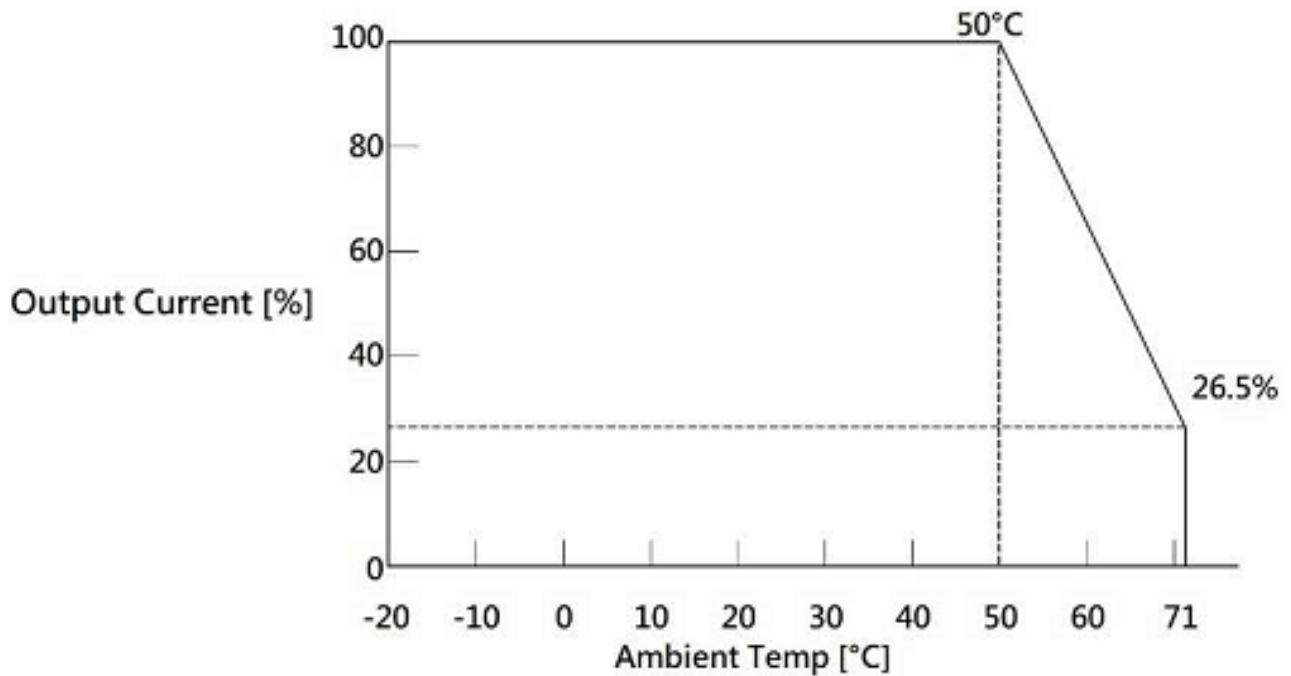
		UNIT	OBR22SC2448I
OUTPUT	Nominal Voltage	VDC	+/-12 VDC
	OUTPUT VDC ACCURACY	%	2%
	Current	mA	250
	Total Pwr	W	6
	Efficiency	%	83 TYP
	Line Regulation	%	$\pm 0.5\%$ MAX
	Load Regulation	%	$\pm 0.5\%$ MAX
	Startup Time	ms	20 MAX
	Ripple Noise	mVp-p	100mVp-p MAX
	Temp Coefficient		0.03%/°C MAX
	Short circuit protect	Type	Continuous/ Auto-recovery
	Cooling		Convection





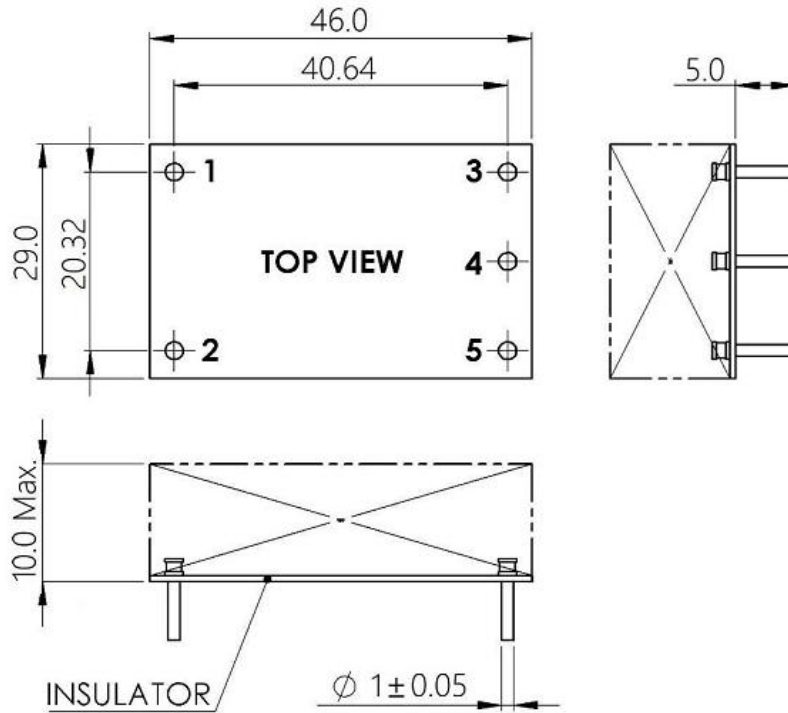
General Specifications		
ISOLATION	Voltage	1500Vdc for 1 minute
	Resistance	Min. 100 MΩ @ 500 Vdc
	Operating temp	-20°C ~ +71°C
Environment	Storage	-20°C ~ +85°C
	Vibration	Mil-STD 202G
	Humidity	90 %
	Switching Frequency	75 kHz MIN
Dimension	WxL mm/g	46 W X 29 L X 10.4 H 9.2g

TEMPERATURE DERATING





DIMENSIONS AND PINOUT



Unit : mm

Tolerance : XX.X \pm 0.5 , XX.XX \pm 0.25

PIN Assignment

PIN	1	2	3	4	5
FUNCTION	+Vin	-Vin	+Vout	COM	-Vout

