



# ETA-USA

HIGH QUALITY SWITCHING POWER SUPPLIES

AC/DC SWITCHING POWER SUPPLY

250 WATTS

AC INPUT 90-264 VAC

SINGLE OUTPUT

## ZWE250 series



Dimension : L127mm×W76.2×H32.5mm



### Input

**Input Voltage Range:** 90-264VAC

**Frequency:** 47-63Hz

**Input Current (RMS):** 4A max.@ 90VAC  
2A max.@ 264VAC

**Ripple & Noise :** 1%

**Power Factor:** >0.95 at 115VAC full load  
>0.90 at 230VAC full load

**Inrush Current:** <50A peak at 115VAC  
<100A at 230VAC cold start

### General Description

### Features

1. High power density
2. Ultra low leakage current, <300uA@264VAC
3. Safety Approvals, EMC compliance
4. Short circuit, over load, over voltage protection
5. 2-year warranty





# ETA-USA

## HIGH QUALITY SWITCHING POWER SUPPLIES

Output Characteristic	Unit	Models						
		ZWE250-12	ZWE250-19	ZWE250-24	ZWE250-30	ZWE250-36	ZWE250-40	ZWE250-48
Output Voltage	Vdc	12	19	24	30	36	40	48
Output Current (convection)	A	16.67	10.53	8.34	6.67	5.56	5.0	4.17
Output Current (forced air 17.1CFM)	A	20.84	13.16	10.42	8.34	6.95	6.25	5.21
Ripple & Noise(max)	mVpp	120	190	240	300	360	400	480
Hold up time	mS	>10 mS typical						
Efficiency		85%						
<b>Regulation</b>								
a. Voltage regulation	mV	±5%						

Environmental Specification	
Operating Temperature	-20°C to +70°C, derate linearly 2.5%/°C from 41°C to 70°C
Storage Temperature	-40°C to +85 °C
Humidity	5~95% non-condensing
MTBF demonstrated	>100,000 hours at full load and 25 °C ambient temperature
Environmental Agencies	
Safety Standards	UL 60950-1 2 <sup>nd</sup> ed. CSA 22.2-No.60950-1-07 NEMKO EN60950-1:2006+A11
EMI Standards (Meet)	FCC Class B CISPR 22 Class B EN 55022 Class B CE
Protection	
Short circuit protection	Auto-recover
Over Voltage Protection	Shutdown, latch off, manual AC reset necessary
Over Load Protection	110%~170% max rating, Auto-recover
Mechanical	
Dimension [mm]	L127mm×W76.2×H32.5mm
Weight (g)	400g

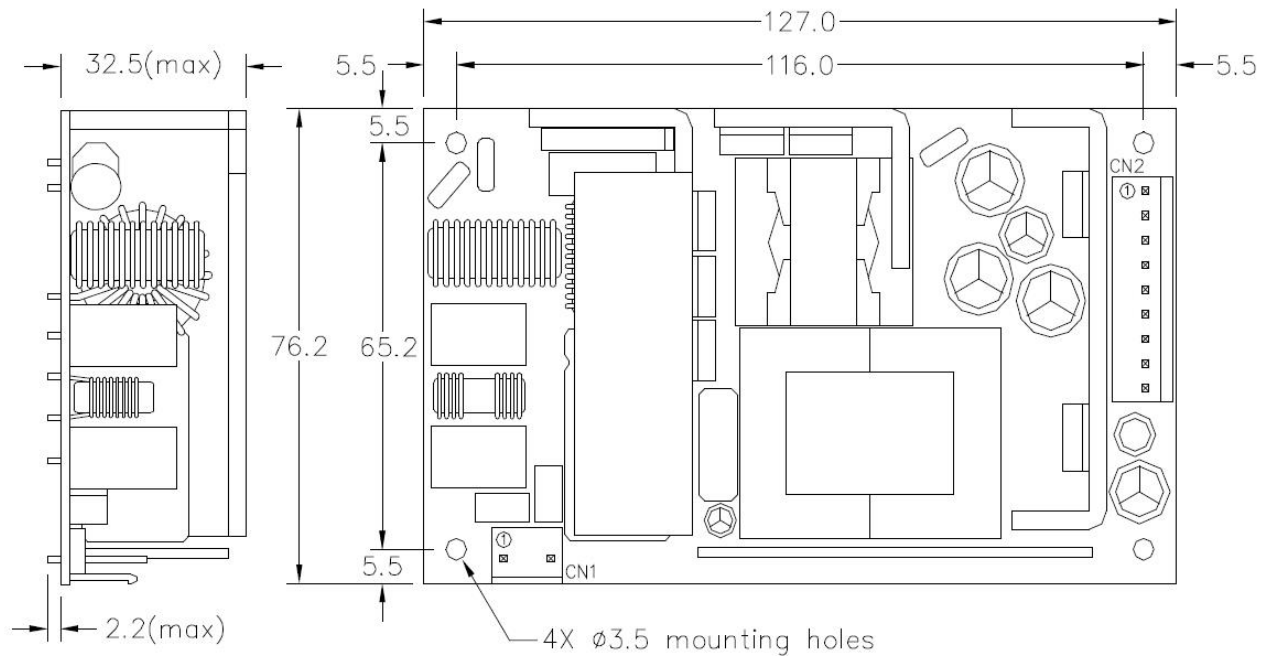




# ETA-USA

HIGH QUALITY SWITCHING POWER SUPPLIES

## DIMENSION DIAGRAM (mm)



### Matching Connectors:

#### CN1: Input connector

JST B3P-VH-B pitch: 3.96mm or equivalent, mates with JST VHR-3N or equivalent

Pin	Signal
1	AC Line
2	AC Neutral

#### CN2: Output Connector

JST B9P-VH-B pitch: 3.96mm or equivalent, mates JST VHR-9N or equivalent

Pin #	Signal
1	RTN
2	RTN
3	RTN
4	RTN
5	Vo+
6	Vo+
7	Vo+
8	Vo+
9	Vo+

