



ETA-USA

HIGH QUALITY SWITCHING POWER SUPPLIES

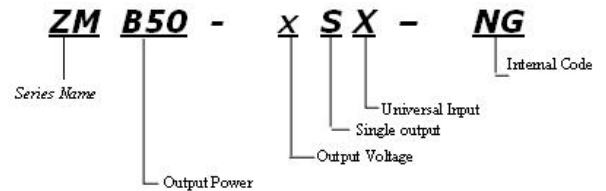
AC/DC SWITCHING POWER SUPPLY
 MEDICAL GRADE/OPEN FRAME 50W
 AC INPUT 85~264
 SINGLE OUTPUT

ZMB50-SX-NG SERIES



Dimension [mm]: 37x76.2(78.7)x127

General Description



Input

Input Voltage Range:	*1	AC85-264V
Input Current:		1.3A/0.8A (100/200V AC)
Input Inrush Current	*3	20A/40A (100/200V AC)
Input Frequency Range:	*1	47-63Hz

Output Characteristic	Unit	Models			
		ZMB50-05SX-NG	ZMB50-12SX-NG	ZMB50-15SX-NG	ZMB50-24SX-NG
Rated Output Voltage	Vdc	5	12	15	24
Rated Output Power	W	50	60		
Rated Output Current	A	10	5	4	2.5
Output voltage range	V	4.5~5.5	10.8~13.2	13.5~16.5	21.6~26.4
Ripple and noise	mVpp	120			
Hold up time	mS	20mSec.(100V/200V AC full load)			
Regulation					
a. Line Regulation	mV	20	48	60	96
b. Load Regulation *3	mV	40	100	120	150
c. Temperature Regulation	/°C	0.02/°C			

Efficiency	*2	%	76	83	83	85
-------------------	-----------	----------	-----------	-----------	-----------	-----------



ETA USA
 16170 Vineyard Blvd. Suite 180, Morgan Hill, CA 95037
 Phone: 1-800-ETA-POWR, (408) 778-2793 Fax: (408) 779-2753

Visit us at: www.eta-usa.com
 email at: sales@eta-usa.com



ETA-USA

HIGH QUALITY SWITCHING POWER SUPPLIES

Environmental Specification				
Operating Temperature	-10 to +70 °C			
Operating Humidity	20~90%RH			
Storage Temperature	-20 to +75 °C			
Storage Humidity	10~95%RH (no dew condensation permitted)			
Cooling	Natural Cooling			
Dielectric Strength				
Withstand Voltage	Input-output 4000V AC for 1 min			
	Input-FG 2000V AC for 1 min			
	Output-FG 500V AC 1min	1500V AC 1min	500V AC 1min	
Insulation Resistance	Input-output 100MΩ or more at 500V DC			
	Input-FG 100MΩ or more at 500V DC			
	Output-FG 100MΩ or more at 500V DC			
Function				
Over Current Protection *4	10.5A~	5.25A~	4.2A~	2.62A~
Over Voltage Protection *5	5.75~6.75V	13.8~16.2V	17.3~20.3V	27.6~32.4V
Remote Sensing	N/A			
Remote On/Off control	N/A			
Operational status indicator	None			
Environmental Agencies				
Safety Standard	Based on IEC60601 , EN60601 , UL60601 , IEC60950			
EMI	Based on FCC Class B , CISPR11-Class B , VCCI Class B			
EMS				
Harmonic correction	IEC61000-3-2 A-14			
Structure & Others				
Series Operation	Permitted			
Parallel Operation	Not Permitted			
Leakage Current	0.06mA/0.12mA			
Vibration Resistance	5~10Hz:amplitude 10mm, 10~55Hz:sweep 1min. Acceleration:19.6m/s ² direction:X,Y,Z for 1 hour each			
Shock Resistance	196 m/S ² or less			
Mechanical				
Dimension [inch]	37x76.2x127		37x78.7x127	37x76.2x127
Weight [g] (typical)	250g			

- *1: Rated input voltage range for safety standard application is 100-240V AC 50/60Hz
- *2: Input volt :100/200V AC, full load, Ta:25°C
- *3: Input volt :100/200V AC, full load, Ta:25°C , cold start Specification may differ depending on temperature or power on again because of power thermistor.
- *4: Over-load protection: constant current limit with automatic recovery.
- *5: Output shutdown method. Output returns by power on again.

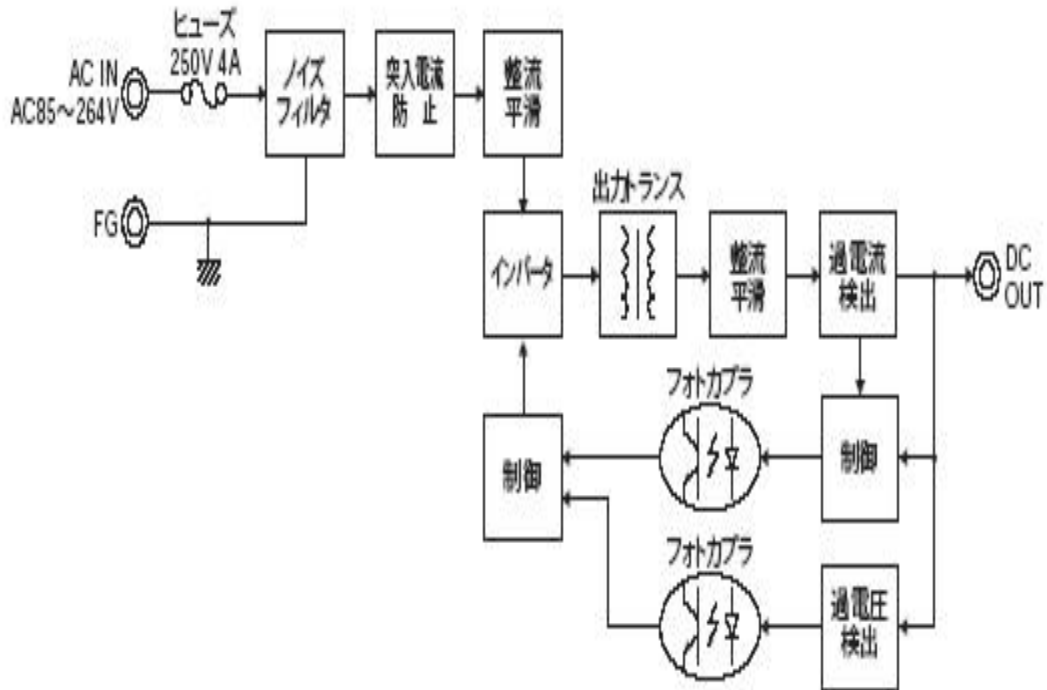




ETA-USA

HIGH QUALITY SWITCHING POWER SUPPLIES

Block Diagram



Connector Specification

名称	ピン名称	使用メーカー、型名	適合ハウジング(ターミナル)
P1 入力	1PIN	AC(L)	日本圧着端子 VHR-5N (SVH-21T-P1.1)
	2PIN	無し	
	3PIN	AC(N)	
	4PIN	無し	
	5PIN	FG	

名称	ピン名称	使用メーカー、型名	適合ハウジング(ターミナル)
P51 出力	1PIN	-	日本圧着端子 VHR-4N (SVH-21T-P1.1)
	2PIN	-	
	3PIN	+	
	4PIN	+	

名称	ピン名称	使用メーカー、型名	適合ハウジング(ターミナル)
P51 出力	1PIN	-	日本圧着端子 XHP-6 (SXH-001T-P0.6)
	2PIN	-	
	3PIN	-	
	4PIN	+	
	5PIN	+	
	6PIN	+	





ETA-USA

HIGH QUALITY SWITCHING POWER SUPPLIES

Dimension Diagram

