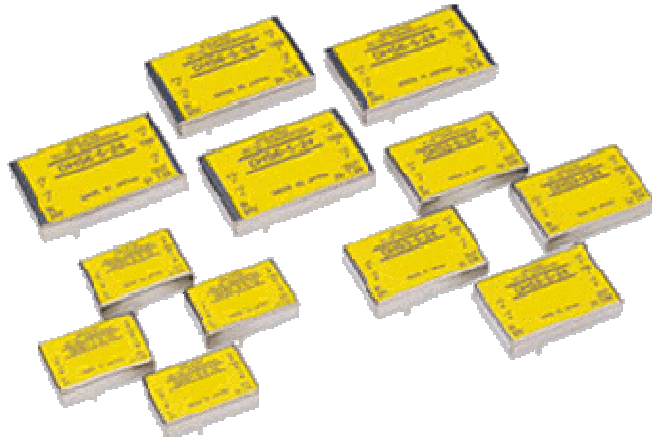




ETA-USA

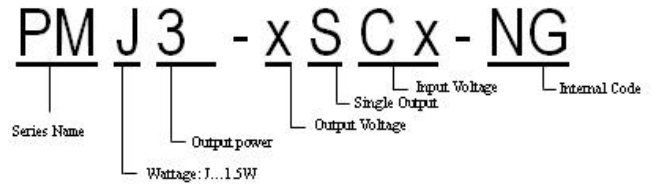
HIGH QUALITY SWITCHING POWER SUPPLIES

DC/DC SWITCHING POWER SUPPLY
DC INPUT 5,12,24,48
SINGLE OUTPUT
1.5 WATTS



PMJ1.5-SC-NG SERIES

General Description



Dimension [mm]: 27.5×18×7 (W×D×H)

DC INPUT: 5V

Input Characteristics	Unit	PMJ1.5-3.3SC05-NG	PMJ1.5-05SC05-NG	PMJ1.5-12SC05-NG	PMJ1.5-15SC05-NG
Rated input voltage	Vdc	DC 5V			
Input voltage range	Vdc	DC 4.5~9V			
Input current (typ.)	A	0.291	0.429	0.439	0.423
Efficiency *1	%	68%	70%	71%	71%

DC INPUT: 12V

Input Characteristics	Unit	PMJ1.5-3.3SC12-NG	PMJ1.5-05SC12-NG	PMJ1.5-12SC12-NG	PMJ1.5-15SC12-NG
Rated input voltage	Vdc	DC 12V			
Input voltage range	Vdc	DC 9~18V			
Input current (typ.)	A	0.121	0.174	0.176	0.169
Efficiency *1	%	68%	72%	74%	74%

DC INPUT: 24V

Input Characteristics	Unit	PMJ1.5-3.3SC24-NG	PMJ1.5-05SC24-NG	PMJ1.5-12SC24-NG	PMJ1.5-15SC24-NG
Rated input voltage	Vdc	DC 24V			
Input voltage range	Vdc	DC 18 ~ 36V			
Input current (typ.)	A	0.061	0.087	0.088	0.087
Efficiency *1	%	68%	72%	74%	72%

DC INPUT: 48V

Input Characteristics	Unit	PMJ1.5-3.3SC48-NG	PMJ1.5-05SC48-NG	PMJ1.5-12SC48-NG	PMJ1.5-15SC48-NG
Rated input voltage	Vdc	DC 48V			
Input voltage range	Vdc	DC 36 ~ 75V			
Input current (typ.)	A	0.03	0.042	0.043	0.042
Efficiency *1	%	68%	74%	75%	74%





ETA-USA

HIGH QUALITY SWITCHING POWER SUPPLIES

PMJ1.5-xSCx-NG

Output Characteristic	Unit	Models			
		PMJ1.5-3.3SCx-NG	PMJ1.5-05SCx-NG	PMJ1.5-12SCx-NG	PMJ1.5-15SCx-NG
Rated Output Voltage	V _{dc}	3.3	5	12	15
Rated Output Power	W	0.99	1.5	1.56	1.5
Rated Output Current	A	0.3	0.3	0.13	0.1
Output voltage range *1	%	±3%			
Ripple Noise(Max.)	mV p-p	60	60	90	90
Regulation					
a. Line Regulation	mV	20	20	48	60
b. Load Regulation	mV	40	40	100	120
c. Temperature Regulation*2	mV	50	50	150	180

Environmental Specification	
Operating Temperature *4	Convection cooling:-20~+71°C Forced air cooling:-20~+85°C
Operating Humidity	20~95%RH (No dew condensation permitted)
Storage Temperature	-40~+85°C
Storage Humidity	20~95%RH (No dew condensation permitted)
Cooling	Convection cooling / Forced air cooling

Dielectric Strength	
Withstand Voltage	Input-FG 500VAC for 1 min. Input-Output 500VAC for 1 min. Output-FG 500VAC for 1min.
Insulation Resistance	Input-FG 50MΩ at 500VDC Input-Output 50MΩ at 500VDC Output-FG 50MΩ at 500VDC

Functions				
Over Current Protection	Automatic recovery			
	0.315A~	0.315A~	0.14A~	0.11A~
Over Voltage Protection	N/A			
	3.8V~	5.75V~	13.8V~	17.3V~
Trimming of output voltage *3 Vin=5,12,24 Vin=48	+10% -15%	±10%		
	±10%			
Input fuse	Built-in			

Structure & Others	
Vibration Resistance	10~55Hz Acceleration:98m/s ² (10G) Cycle: 3min. Direction: X,Y,Z for 1 hour each
Shock Resistance	Acceleration:490.3m/s ² (50G) Time: 11ms Direction: X,Y,Z for 1hour each

Mechanical	
Dimension [mm]	27.5×18×7 (W×D×H)
Weight [g] (typical)	9g

Conditions:

*1 At Rated input voltage, Rated output current, Operating temp. 25°C

*2 At operating temp. -20~+71°C

*3 Possible by inserting appointed resistor at outside.

*4 Load should be reduced for operation at 55°C or above at convection cooling, and at 70°C or above at forced air cooling.



ETA USA

16170 Vineyard Blvd. Suite 180, Morgan Hill, CA 95037
Phone: 1-800-ETA-POWER, (408) 778-2793 Fax: (408) 779-2753

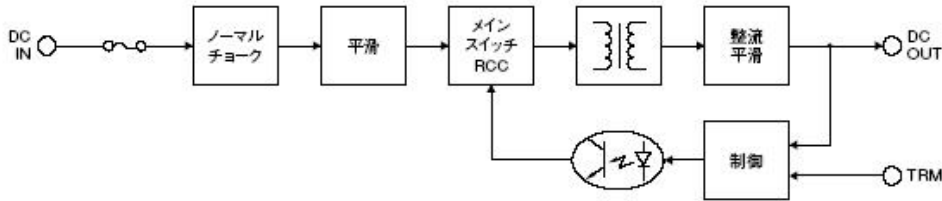
Visit us at: www.eta-usa.com
email at: sales@eta-usa.com



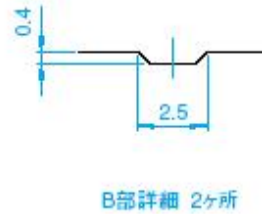
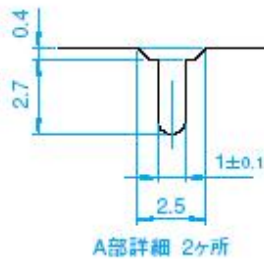
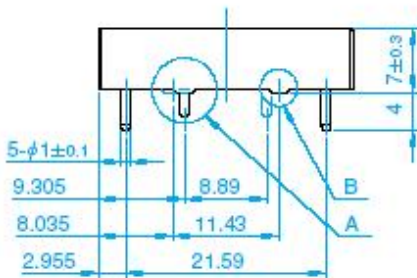
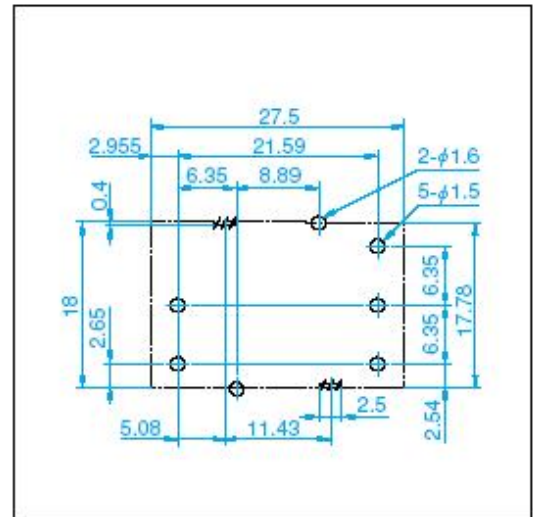
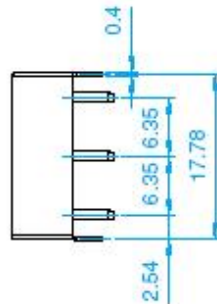
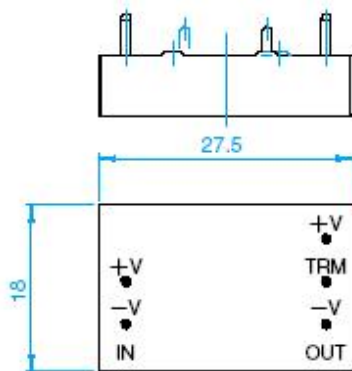
ETA-USA

HIGH QUALITY SWITCHING POWER SUPPLIES

BLOCK DIAGRAM



DIMENSION DIAGRAM (mm)



ETA USA
 16170 Vineyard Blvd. Suite 180, Morgan Hill, CA 95037
 Phone: 1-800-ETA-POWER, (408) 778-2793 Fax: (408) 779-2753

Visit us at: www.eta-usa.com
 email at: sales@eta-usa.com