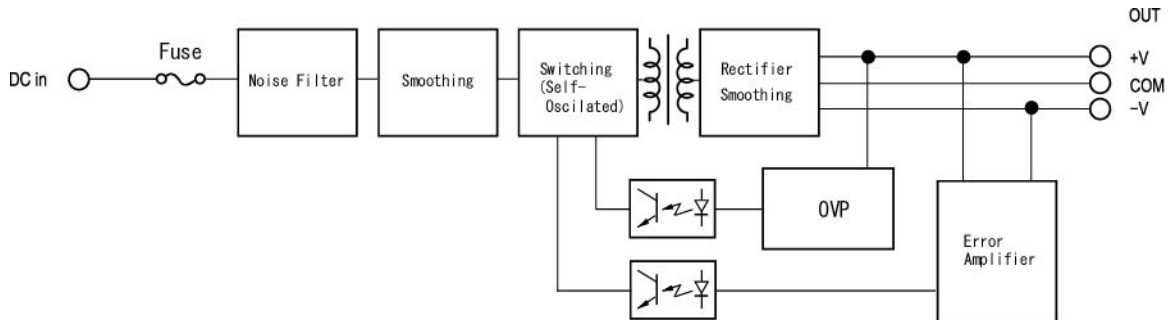


# 10 WATT DC-DC CONVERTER

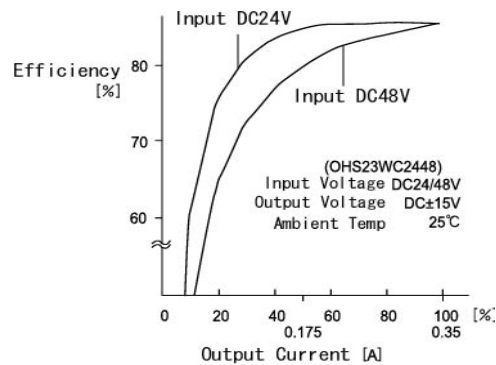
OHS- WC 1224/2448 DUAL

Specifications OHS**WC 10WATTS/DUAL	Model							
	OHS22WC1224	OHS23WC1224	OHS22WC2448	OHS23WC2448	OHS22WC2448	OHS23WC2448	OHS22WC2448	OHS23WC2448
<b>Input Characteristic</b>								
Input Voltage DC[V]	12	24	12	24	24	48	24	48
Input Range DC[V]	8-32				18-72			
Inrush Current [A]	Not specified							
Input Range								
at no load [mA](typical)	62	48	66	52	28	27	27	24
at full load[mA](typical)	1111	570	1067	546	542	271	520	260
Line Back Noise [mVp-p](typical)	300	200	300	200	300	200	300	200
Efficiency [%] (typical) *1	81	79	82	80	83	83	84	84

## BLOCK DIAGRAM



## EFFICIENCY CURVE



Specifications OHS**WC 10WATTS/DUAL	Model							
	OHS22WC1224		OHS23WC1224		OHS22WC2448		OHS23WC2448	
Output Voltage [V]	+12	-12	+15	-15	+12	-12	+15	-15
Output Current [A]	0.45	0.45	0.35	0.35	0.45	0.45	0.35	0.35
Voltage Tolerance +/-[mV](maximum) *2	240		300		240		300	
Ripple and Noise [mVp-p](maximum) *3	100							
Regulation								
a.Static Line Regulation [mV](maximum) *4	60		75		60		75	
b.Dynamic Line Regulation +/-[mV](maximum) *5	360		450		360		450	
c.Static Load Regulation +/-[mV](maximum) *6	60		75		60		75	
+/-[mV](maximum) *7	1200		1500		1200		1500	
d.Temperature Coefficient	0.03%/°C(maximum) at -20°Cto +71°C							
e.Drift[mV](maximum) *8	75		90		75		90	
f.Dynamic Load Regulation +/- [mV](maximum) *9	720		900		720		750	
g.Recovery Time *5,*9	10mS(typical)							
Rise up time	10ms(typical) at rated input/output							
Hold up time	Not specified							
<b>Functions</b>								
Overcurrent Protection	Foldback/Current Limiting with automatic recovery at discontinuous short circuit conditions							
Overvoltage Protection	Output Voltage Limiting							
Remote Sence	Not available							
Trimming of output voltage[mV]	Not available							
Input Fuse	Installed[2A]							
<b>Environmental</b>								
Operating Temperature	-20 to 71°C							
(derating)	3.5%/°C(50°C to 71°C) (out of warranty >=71°C)							
Operating Humidity	20-90%/RH(non-condensing)							
Storage Temperature	-20 to +85°C							
Storage Humidity	20 to 90%/RH(non-condensing)							
Withstanding Voltage	Primary-Secondary AC500V for 1minute							
Isolation Resistance	Primary-Secondary 50MW(minimum) by DC500V insulation tester							
Capacitance(input-output) [pF](typical)	2200							
Vibration	5-10Hz:10mm double amplitude,10-55Hz:19.6m/s <sup>2</sup> ,20minutes' period for 60minutes each along X,Y,Z axes(non-operating)							
Shock	294m/s <sup>2</sup>							
Cooling	Convection							
Weight (typical)	open board type:14g							

Conditions:

\*1 at rated input/output

\*2 at the same load condition on both outputs

\*3 measured by a probe at the output connector at a 0 to 100MHz bandwidth

\*4 when input voltage changed from 8V to 32V for OHS\*\*WC1224 and from 18V to 72V for OHS\*\*WC2448

\*5 when input voltage changed from 8V to 32V rapidly at rated output for OHS\*\*WC1224 and from 18V to 72V for OHS\*\*WC2448

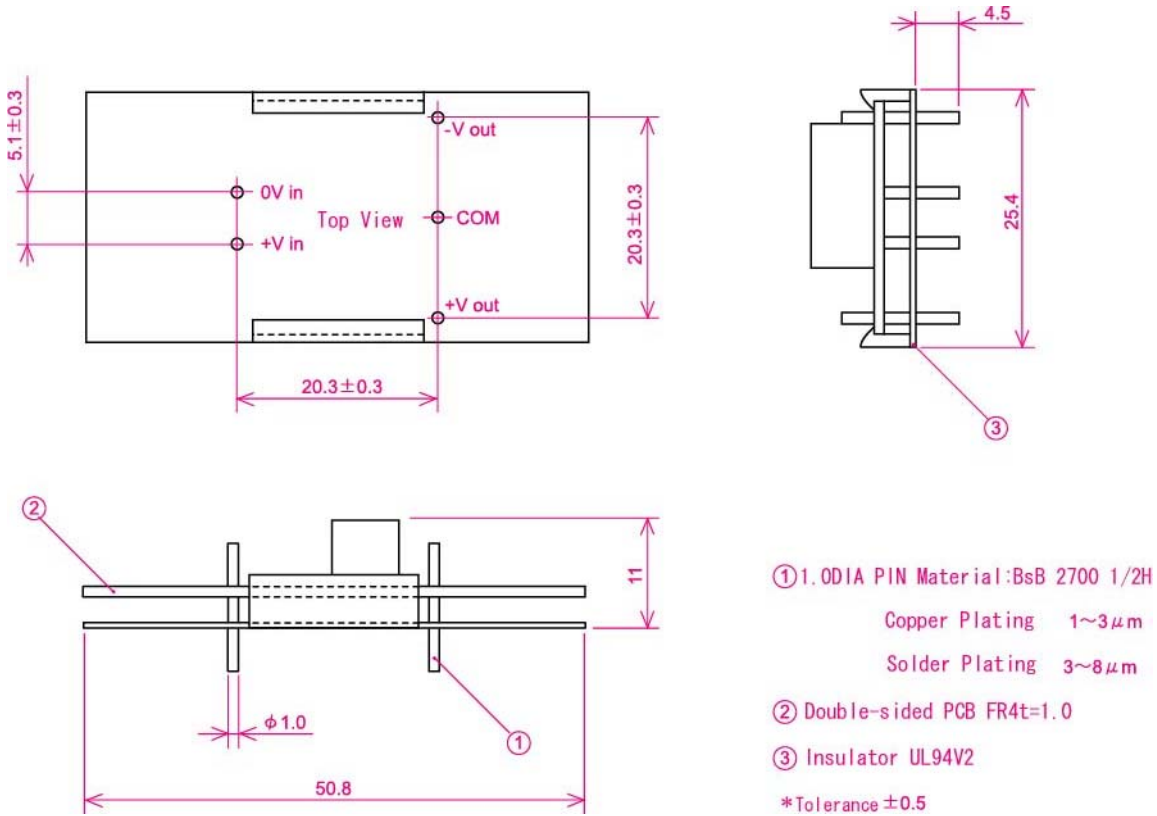
\*6 when output current changed from 0mA to rated current keeping the current of both outputs at the same load conditions

\*7 when output current changed from 0mA to rated current keeping the current of other output within rated current

\*8 at rated input/output 1 hour warm-up at 25

\*9 when output current changed rapidly between 25% and 75% of rated current at rated input keeping the current of other output within rated current

## DIEMNSION DIAGRAM



## OCP CURVE

