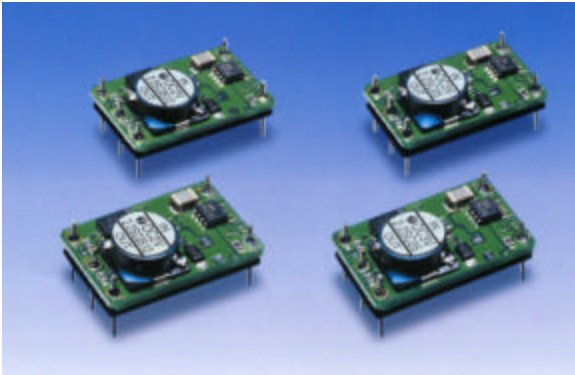
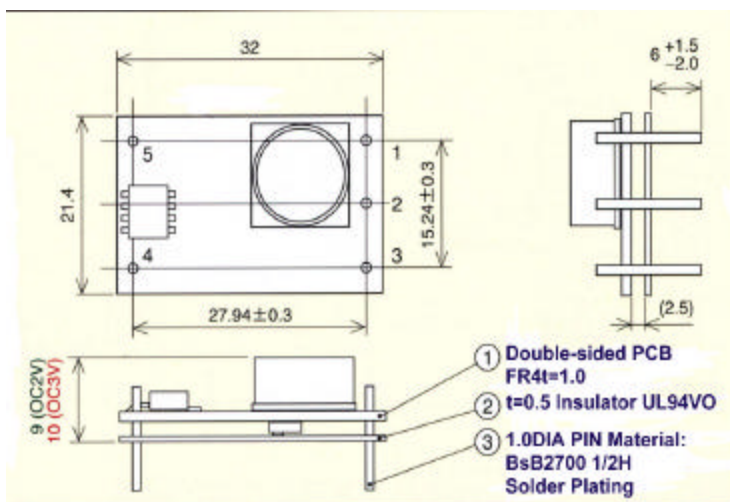


# 3~10WATT NON-ISOLATED DC-DC CONVERTER

## OC3V –2.2SC05



Specifications<DC/DC> OC3V-2.2SC05 SINGLE	Model		
	OC3V-2.2SC05		
<b>Input</b>			
Input Voltage DC [V]	5		
Input Voltage Range DC [V]	4.5 to 5.5		
<b>Input Current Range</b>			
At no load [mA](typical)	6	6	6
At full load [mA](typical)	1230	177	2310
Input Voltage [V] in	5	5	5
Input Fuse	Installed [4A]		
Efficiency [%] (typical)	73	81	85



Terminal No.	Connection
1	+Vout
2	RC
3	0Vout
4	0Vin
5	+Vin

Specifications<DC/DC>	Model		
OC3V-2.2SC05 (SINGLE)	OC3V-2.2SC05		
Default Output Voltage [V]	+2.28 +/-0.2		
Output	1.5V	2.4V	3.3V
Switching Frequency [kHz]	130(fixed)(may decrease by 50% depending on output/input conditions)		
Output Voltage [V]	+1.5 to 3.3		
Output Current [A]	3.0		
Ripple and Noise [mVp-p](maximum)	100		
Regulation			
a. Static Line Regulation [V]	Less than 1% of output voltage at input voltage 4.5 to 5.5V		
Basaltic Load Regulation	Less than 4% of output voltage at input voltage 5.0V and load 0 to 3A		
	Less than 0.9% of output voltage at input voltage 5.0V and load 0.3 to 3A		
Recovery Time	5mS(maximum)		
Rise up time	300mS(maximum)		
<b>Functions</b>			
Over current Protection	Current Limiting with automatic recovery		
Over voltage Protection	Not available		
Trimming of output voltage	Not available		
Input Fuse	Installed [4A]		
<b>Environmental</b>			
Operating Temperature	-20 to +71C		
(derating)	2%/C (50C to 71C) (out of warranty on/over 71C)		
Operating Humidity	20-90%/RH (non-condensing)		
Storage Temperature	-20 to +85C		
Storage Humidity	20 to 90%/RH (non-condensing)		
Vibration	5-10Hz: 10mm double amplitude, 10-550Hz: 24.5m/S <sup>2</sup> , each along X, Y, Z axes (non-operating)		
Shock	294m/S <sup>2</sup>		
Cooling	Convection		
Weight (typical)	Open board type: 7g		