

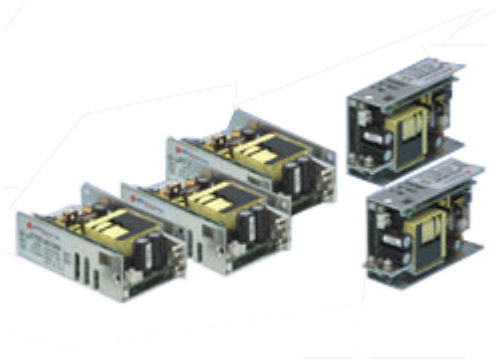


ETA-USA

HIGH QUALITY SWITCHING POWER SUPPLIES

DC/DC SWITCHING POWER SUPPLY
DC INPUT 48, 300
SINGLE OUTPUT
100 WATTS

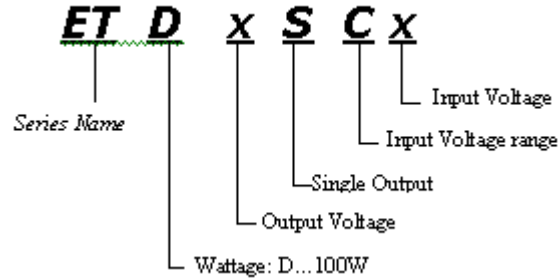
ETD SERIES



W56xL86xH30mm
[W2.2XL3.39xH1.19 inch]



General Description



Features

1. Light weight, compact size
2. High efficiency, high reliability
3. Input under voltage protection
5. Over current, over voltage, thermal protection
6. UL 60950, EN60950, CE

DC INPUT: 48V

Input Characteristics	Unit	Models						
		ETD2.5SC48	ETD3.3SC48	ETD05SC48	ETD12SC48	ETD15SC48	ETD24SC48	ETD48SC48
Input Voltage	Vdc	DC48V						
Input Voltage Range	vdc	DC36-72V						
Input Current	A	Not specified						
MTBF	H	275000	275000	275000	289000	289000	289000	288000
Switching Frequency	kHz	150 Fix.	150 Fix.	150 Fix.	170 Fix.	170 Fix.	170 Fix.	170 Fix.
EFFICIENCY (typ.)	%	93	94	94.5	94.5	94.5	94.5	94.5

DC INPUT: 300V

Input Characteristics	Unit	Models						
		ETD1.8SC300	ETD2.5SC300	ETD3.3SC300	ETD05SC300	ETD12SC300	ETD15SC300	ETD24SC300
Input Voltage	Vdc	DC300V						
Input Voltage Range	vdc	DC200-400V						
Input Current	A	Not specified						
MTBF	H	275000	275000	275000	275000	264000	289000	288000
Switching Frequency	kHz	110 Fix.	130 Fix.	130 Fix.	130 Fix.	160 Fix.	160 Fix.	100 Fix.
EFFICIENCY (typ.)	%	90.5	92.5	92.2	94.5	94.5	94.5	94.5





ETA-USA

HIGH QUALITY SWITCHING POWER SUPPLIES

Output Characteristics	Models								
	Unit	ETD1.8SC300	ETD2.5SCx	ETD3.3SCx	ETD05SCx	ETD12SCx	ETD15SCx	ETD24SCx	ETD48SCx
Output Voltage	V _{dc}	1.8	2.5	3.3	5	12	15	24	48
Output Current	A	25	25	25	20	8.4	6.7	4.2	2.0
Voltage Adjust Range	%	±10% of rated output voltage							
Ripple and Noise (max.) *3	mV	150	150	150	150	220	250	340	580
Regulation									
a. Static Line Regulation (max.)	mV	15	20	26	40	100	120	120	120
b. Static Load Regulation (max.)	mV	16	23	30	45	110	135	135	135
c. Temperature Coefficient *4	%/°C	0.54	0.75	1	1.5	3.6	4.5	7.5	15
d. Drift *5	mV	24	28	32	32	75	90	135	260
e. Dynamic Load Regulation *6	mV	200	200	250	250	600	750	1200	1200
Rise time	mS	500mS(maximum) at 25C and rated input/output							
Hold up time	mS	Not specified							
Function/Protection									
Over current Protection (min.) 105% of Rated Output Current [A]	Current Limiting. Output shutdown when voltage drops to 50% of rated output voltage (60% at ETD1.8SC300) turn on 1minute after shut down to restart.								
Over voltage Protection 115% of Rated Output voltage (min)	Turn on 1 minute after shutdown to restart								
Remote Sense *7	Available								
Remote On/Off *8	Available								
Environmental Specification									
Operating Temperature	-10 to +50°C								
Operating Humidity	20-90%/RH (non-condensing)								
Storage Temperature	-20 to +85°C								
Storage Humidity	20 to 90%/RH								
Withstanding Voltage	Primary-Secondary AC 3,000V at 20mA for 1minute Primary-Frame Ground AC 2,000V at 20mA for 1minute Secondary-Frame Ground AC 1,000V at 20mA for 1minute								
Isolation Resistance	Primary-Secondary-Frame Ground 100M ohm (minimum) by DC500V insulation tester								
Vibration	5-10Hz: 10mm double amplitude, 10-55Hz: 19.6m/s ² , each along X, Y, Z axes (non-operating)								
Shock	196m/s ²								
Cooling	Convection								
Environmental Agencies									
SAFETY	UL 60950, EN60950, CE								
Mechanical Specification									
Dimension [mm]	W56×L86×H30mm [W2.2×L3.39×H1.19 inch]								
Weight (typical)	200g								

*1 vary depending on input/output conditions

*2 at rated input and rated output

*3 measured by a bayonet probe at the end of a pair of 150cm long wires terminated with a 100uF electrolytic capacitor and a 0.1uF film capacitor in parallel at a 0 to 100MHz bandwidth

*4 within the operating temperature

*5 for 7 hour period after 1 hour warm-up at 25C and rated input/output

*6 when output current changed between 25% and 75% of rated output current rapidly at rated input

*7 Line drop: Maximum 0.3V(Maximum 0.1V for ETD1.8SC300, 0.15V for ETD2.5SC300, 0.2V for ETD3.3SC300)

*8 IC=maximum 10mA



ETA USA

16170 Vineyard Blvd. Suite 180, Morgan Hill, CA 95037
Phone: 1-800-ETA-POWER, (408) 778-2793 Fax: (408) 779-2753

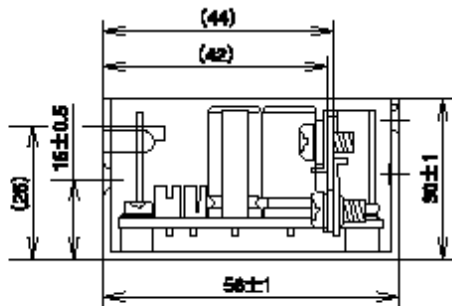
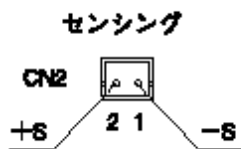
Visit us at: www.eta-usa.com
email at: sales@eta-usa.com



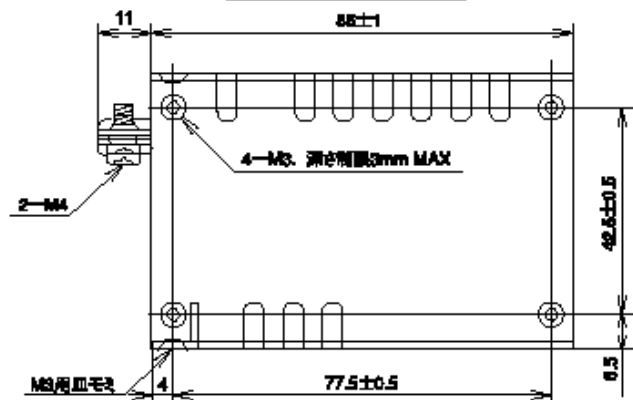
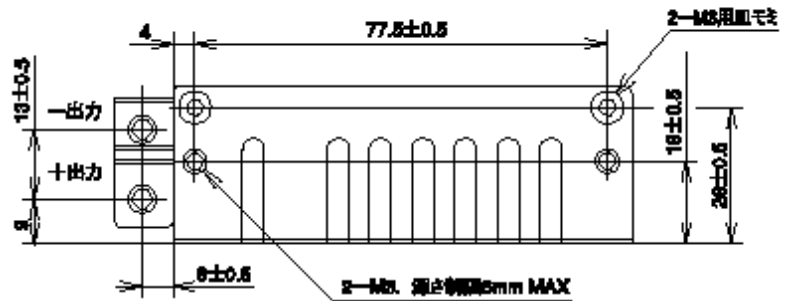
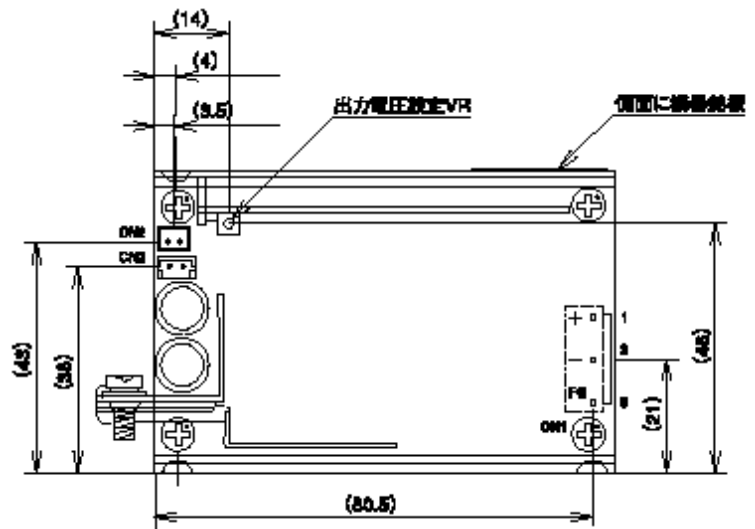
ETA-USA

HIGH QUALITY SWITCHING POWER SUPPLIES

DIMENSION DIAGRAM



(単位: mm)



適合コネクタ

コネクタNo.	用途	適合ハウジング	適合コンタクト
CN1	入力	VI-PI-EN	SVH-21T-P1.1
CN2	リモート・センシング	PI-PI-2	SPH-002T-P0.5S
CN3	リモート・コントロール	PI-PI-2	SEH-001T-P0.0

メーカー: 日本圧着端子製造株式会社

コネクタ接続

ピンNo.	CN1	ピンNo.	CN2	ピンNo.	CN3
1	+V In	1	-S	1	RC+
2	-V In	2	+S	2	RCG
5	FG				

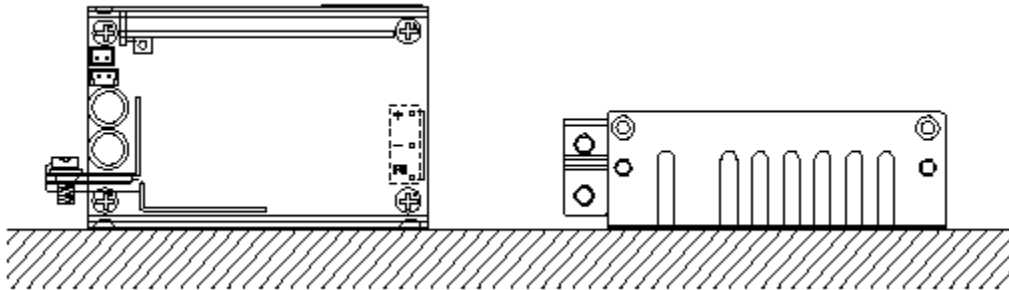




ETA-USA

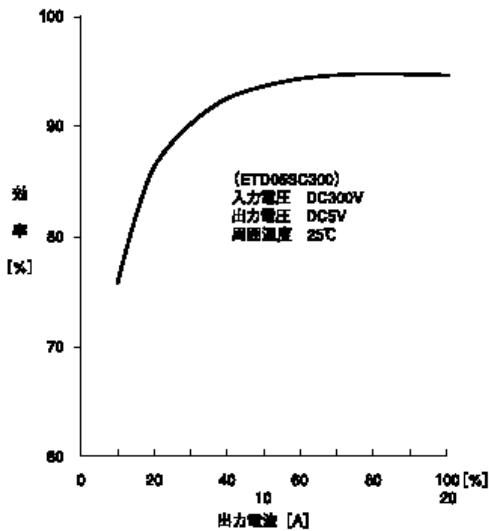
HIGH QUALITY SWITCHING POWER SUPPLIES

MOUNTING POSITIONS



EFFICIENCY CURVE

ETDxSC300



OCP CURVE

ETDxSC300

