



ETA-USA

High Quality Switching Power Supplies

Single

240W

DC22~32V/36~72V
DC220~400V

DC/DC CONVERTER

HIGH DENSITY MODULE

SINGLE-OUTPUT EPK-SC

SERIES



EPK-SC300 (DC300V)

61X91.4X12.7 (mm)

MODEL	OUTPUT		EFFICIENCY
	VOLTAGE	CURRENT	
EPK05SC300	5V	40A	76%
EPK12SC300	12V	20A	78%
EPK15SC300	15V	16A	80%
EPK24SC300	24V	10A	79%
EPK28SC300	28V	9A	81%

EPK-SC28 (DC28V)

61X91.4X12.7 (mm)

MODEL	OUTPUT		EFFICIENCY
	VOLTAGE	CURRENT	
EPK05SC28	5V	40A	76%
EPK12SC28	12V	20A	78%
EPK15SC28	15V	16A	80%
EPK24SC28	24V	10A	79%
EPK28SC28	28V	9A	79%

EPK-SC48 (DC48V)

61X91.4X12.7 (mm)

MODEL	OUTPUT		EFFICIENCY
	VOLTAGE	CURRENT	
EPK05SC48	5V	40A	75%
EPK12SC48	12V	20A	77%
EPK15SC48	15V	16A	79%
EPK24SC48	24V	10A	78%
EPK28SC48	28V	8.5A	79%

Applications

Processcontrol, Office-equipment, Computer Peripherals, Telecommunication Industrial Electronics and Machines, Household-equipment.

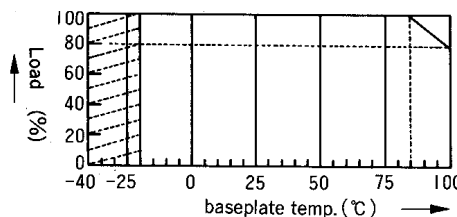
The EPK-SC DC/DC converter has isolation between primary and secondary, and is the most advanced high density high efficiency modular power supply components.

These modules are designed to reduce product development time, enhance system performance, is ideal for cost-conscious designs by simple circuit diagram.

The EPK-SC provides a fast and economical route to complete power supply for demanding Industrial, Telecommunication and Computer applications.

Special Features

1. High Reliability... 1 million hours MTBF
2. Wide Circumstances Operation- 20°C~100°C baseplate operating temperature.
3. Remote Control
4. OVP, OCP, OTP, Output monitoring
5. UL, C-UL(CSA), TUV approved (except EPK-SC28)



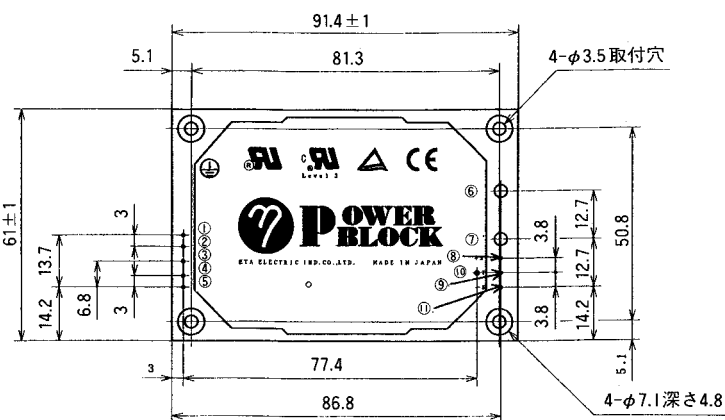
* mark: start-up guaranteed.

All specifications and data subject to change without notice

EPKJ-OOC / Switch

Model (Input Voltage)	EPK05SC			EPK12SC			EPK15SC			EPK24SC			EPK28SC		
	28	48	300	28	48	300	28	48	300	28	48	300	28	48	300
Output															
Voltage	5V			12V			15V			24V			28V		
Voltage tolerance	(Output V) ± 1 [%] MAX.														
Ripple & noise	(Output V) X 3 [%] MAX														
Line regulation	(Output V) X 0.2 [%] MAX.														
Load regulation	(Output V) X 0.2 [%] MAX.														
Temperature coefficient	0.02 %/°C (-20~85°C)														
Drift / Time effect	(Output V) X 0.5 [%] MAX.														
Rize time	10mS MAX (28, 48VDC Input) / 300mS MAX. (300VDC Input)														
Isolation															
Isolation voltage															
Input - Output	2000VAC 1 Minute (48, 300VDC Input) / 500VAC 1 Minute (28VDC Input)														
Input - Case	2000VAC 1 Minute (48, 300VDC Input) / 500VAC 1 Minute (28VDC Input)														
Output - Case	500VDC 1 Minute														
Isolation resistance															
Input - Output - Case	50M MIN. (500VDC)														
Environment															
Operating temperature	-20~100 [°C]														
Storage temperature	- 40~100 [°C]														
Humidity	95 [%RH] MAX.														
Vibration	(5~55Hz) 2G X, Y, Z Each														
Shock	20G														
Additional functions															
Over current protection	current limiting														
Over voltage protection	clamp														
Temperature	Output shutdown (at 100°C~120°C base plate temp) auto-recovery														
Wieght	255 [g]														

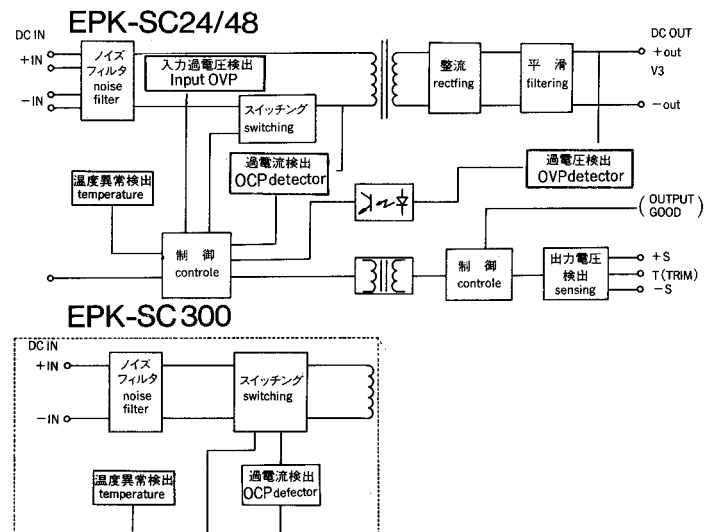
Dimention (mm)



端子番号 terminal NO.	接続 connection	端子番号 terminal NO.	接続 connection
①	- IN	⑥	- OUT
②	- IN	⑦	+ OUT
③	PARALLEL ON/OFF	⑧	+ S
④	+ IN	⑨	T
⑤	+ IN	⑩	OG
		⑪	- S

※EPK-SC300は①④端子はありません。
 ※EPK-SC300has not①&④pins

Block Diagram



ETA-USA

16315 Vineyard Blvd. Morgan Hill, CA 95037
 Phone: 1-800-ETA-POWER, (408) 778-2793 Fax: (408) 779-2753

Visit Us On The Web at: <http://www.eta-usa.com/>
 Or Email at: sales@eta-usa.com