



DTL60-SX-W SERIES



GENERAL SPECIFICATION

This specification describes the performance characteristics of a grounded, single phase, 60 Watts, Single Output Switching Adapter.


1) INPUT

Description	Min.	Typical	Max.	Condition
Input Voltage	90VAC	115/230V	264VAC	Full Range; 50/60Hz
Input Current(RMS)	2A @ 90Vac 1A @ 264Vac Max.			
Inrush current	<30A peak @ 115VAC , <60A peak @ 264VAC			
Line Frequency	47Hz	50/60Hz	63Hz	-
Efficiency	>75% 115VAC at full load			
EMI: FCC Class B; CISPR22 Class B; EN 55022 Class B				

2) OUTPUT

*Voltage Regulation: ±3%

*Hold Up Time: 10ms typical at full load @ 115VAC

Model Name	Nominal Voltage	Max. Power	Output Current		Ripple & Noise *1
			MIN.	MAX.	
DTL60-12SX-W NEW!	12	60W	0.0A	5.0	200mv
DTL60-14SX-W	14	60W	0.0A	4.2	140mv
DTL60-15SX-W 	15	60W	0.0A	4A	150mv
DTL60-16SX-W	16	60W	0.0A	3.8A	160mv
DTL60-17SX-W	17	60W	0.0A	3.5A	170mv
DTL60-18SX-W	18	60W	0.0A	3.4A	180mv
DTL60-19SX-W	19	60W	0.0A	3.2A	190mv
DTL60-20SX-W (OLD: DTL01SX-W)	20	60W	0.0A	3.0A	200mv
DTL60-21SX-W	21	60W	0.0A	2.9A	210mv
DTL60-22SX-W	22	60W	0.0A	2.7A	220mv
DTL60-23SX-W	23	60W	0.0A	2.6A	230mv

DTL60-24SX-W	24	60W	0.0A	2.5A	240mV
--------------	----	-----	------	------	-------

NOTE: 1. Peak to Peak with 20MHz bandwidth and 10uF in parallel with a 0.1uF capacitor.

3) PROTECTION:

- **OVER VOLTAGE PROTECTION(OVP)**
- **AC RECYCLE SHORT CIRCUIT PROTECTION**
- **OUTPUT SHORT CIRCUIT PROTECTION(<0.03 OHM)**
- **AUTO RECOVERY**

4) ENVIRONMENT:

Operating Temperature 0°C to 40°C, derate linearly 2.5% per °C from 41°C to 60°C

Storage Temperature -10°C to +70°C

Humidity: 20% ~ 90%

MTBF: > 80,000 hours at full load and 25°C ambient temperature.

5) SAFETY REQUIREMENTS

UL 60950-1
CSA 22.2-No. 60950-1
TUV EN60950-1
FCC Class B
CE
CISPR22 Class B
EN55022 Class B

PSE: Just the 15V(DTL60-15SX-W) has PSE approval



6) DIMENSION

Dimension: 132(L) × 69(W) × 40(H)mm ±0.5mm tolerance (5.2" x 2.72 x 1.57")

Weight: 0.46kg (1.01 lb)

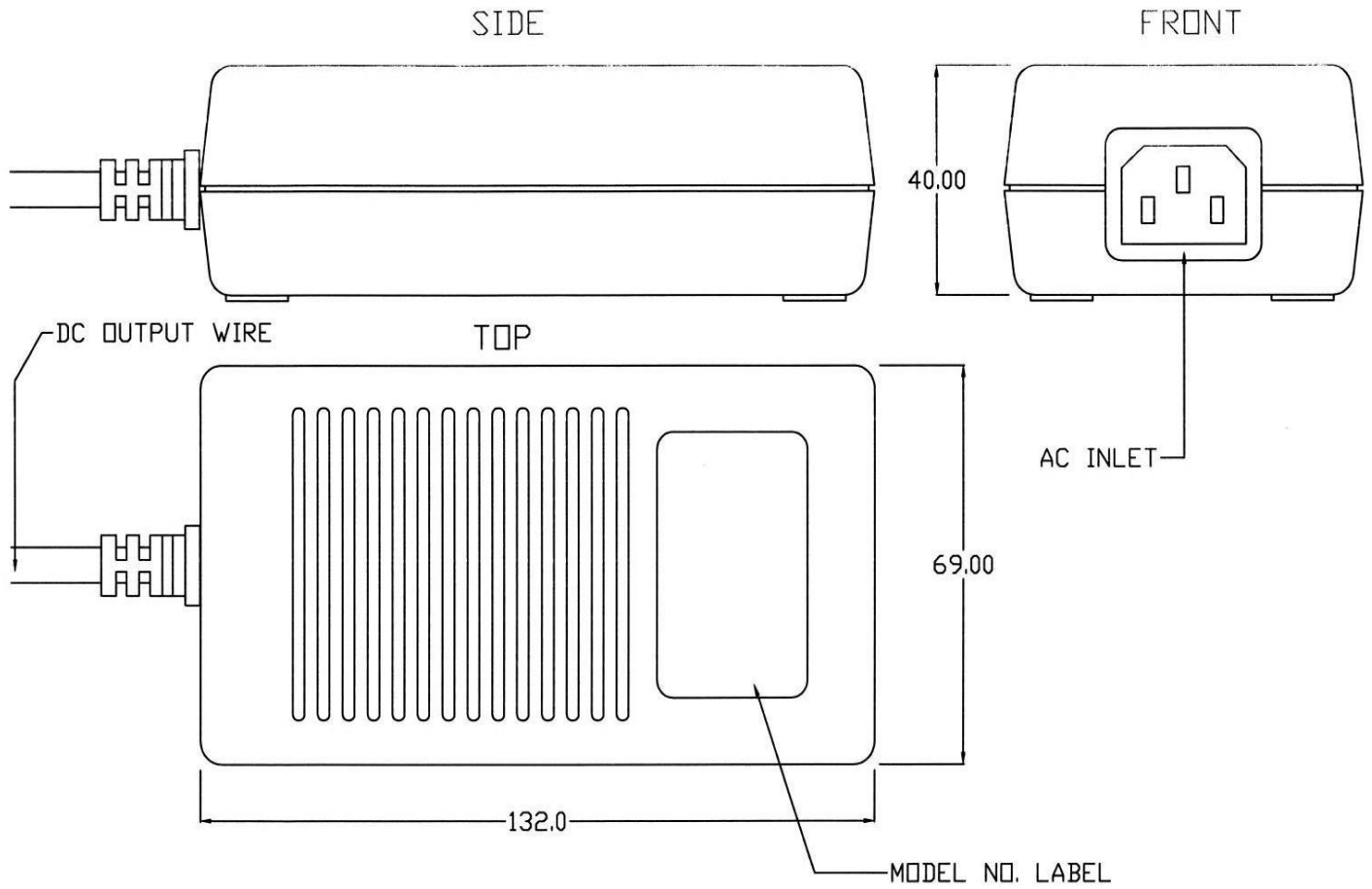
Standard output cable:

1. AWM 1185 # 18 AWG /1C + SHIELDING UL 80°C 300V VW-1, 1050mm
2. AWM 2464 #18 / 20 AWG / 4C + SHIELDING, UL 80°C 300V VW-1, 1050mm
3. Depends on customer requirements

AC inlet: IEC320-C14

Plastic Case color: Black

Mechanical Drawing



Inside casing:

