



# ETA-USA

## HIGH QUALITY SWITCHING POWER SUPPLIES

AC/DC SWITCHING DESKTOP ADAPTOR  
POWER SUPPLY  
SINGLE OUTPUT / UNIVERSAL RANGE INPUT  
50 WATTS



## DTB50-xSX-W SERIES



DIMENSION: L155×W85×H50mm

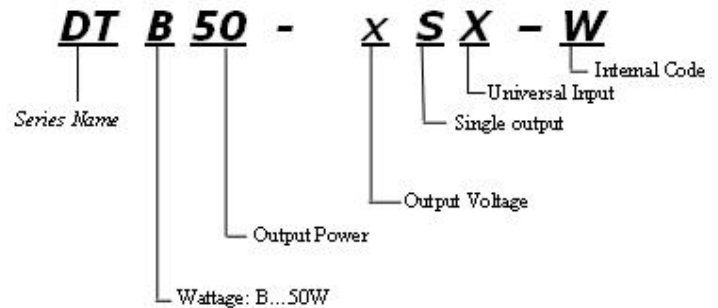
### Input

**Input Voltage Range:** 90-264VAC(Full Range)  
**Input Current (rms):** 2A @ 90VAC;  
 1A @ 264VAC MAX.  
**Frequency:** 47 - 63Hz  
**Efficiency:** >80%@full load, 115VAC

### Options

N/A

### General Description



### Features

1. High Reliability
2. 100% BURN-IN Tested
3. 100% Hi-Pot tested
4. Safety Approvals, EMC compliance
5. Single Output
6. Total Power : 50Watts
7. Input : 90~264VAC
8. AC Input : IEC 320-C14 Inlet
9. Dimension : L155×W85×H50mm

Output Characteristic	Unit	DTB50-05SX-W	DTB50-06SX-W	DTB50-07SX-W	DTB50-08SX-W	DTB50-09SX-W
	Output Voltage	Vdc	5	6	7	8
Output Current	A	10	8.3	7.14	6.25	5.5
Output Power	W	50	50	50	50	50
Ripple and Noise	mVpp	50	60	70	80	90
Output Regulation	%	±3 ~ 5%				
Hold up time	mS	>16ms typical at full load @ 115VAC				

### Efficiency

% >80% @ full load, 115VAC

Note: 1. Peak to Peak with 20MHz bandwidth with a tantalum 10uF in parallel with a 0.1uF ceramic capacitor.



ETA USA  
16170 Vineyard Blvd. Suite 180, Morgan Hill, CA 95037  
Phone: 1-800-ETA-POWER, (408) 778-2793 Fax: (408) 779-2753

Visit us at: [www.eta-usa.com](http://www.eta-usa.com)  
email at: [sales@eta-usa.com](mailto:sales@eta-usa.com)



# ETA-USA

## HIGH QUALITY SWITCHING POWER SUPPLIES

Environmental Specification	
Operating Temperature	0°C TO +40°C
Storage Temperature	-10°C +70°C
MTBF	>80'000 Hours at full load and 25°C ambient temp.
Protection	
Over voltage protection: AC recycle Short circuit protection: Auto recovery	
Safety	UL 60950    CSA C22.2-No.60950    TUV EN60950 CB IEC 60950    PSE J60950    CCC
EMI STANDARDS	FCC Part 15 Class B    CISPR22 Class B EN 55022 Class B    EN 61000-3-2 Class D EN 55054    CE
Dimension	L155×W85×H50mm
AC Input Connector	IEC 320-C14

### DIMENSION DIAGRAM mm

