

600 WATT AC-DC CONVERTER VTG-SZ SERIES

General Description

VT is the basic series of switching power supplies manufactured by ETA Electric Industry. 188 different models are available. Output power ranges from 10W to 600W. 50 models have dual outputs; 33 models are designed with triple outputs. Input selectable ("SZ") models conform to local power conditions.



Application

Broad needs

Input

Input Voltage:	AC115/230V
Input Voltage Range:	AC85~132/170~264V
Frequency:	50/60Hz
Frequency Range:	47~440 Hz
Phase:	Single
Inrush Current: *1	15A at 100V; 20 at 200V

Features

- Full derating in horizontal mount
- Low voltage protection
- Over voltage protection
- Remote sense
- Remote control
- Over current protection

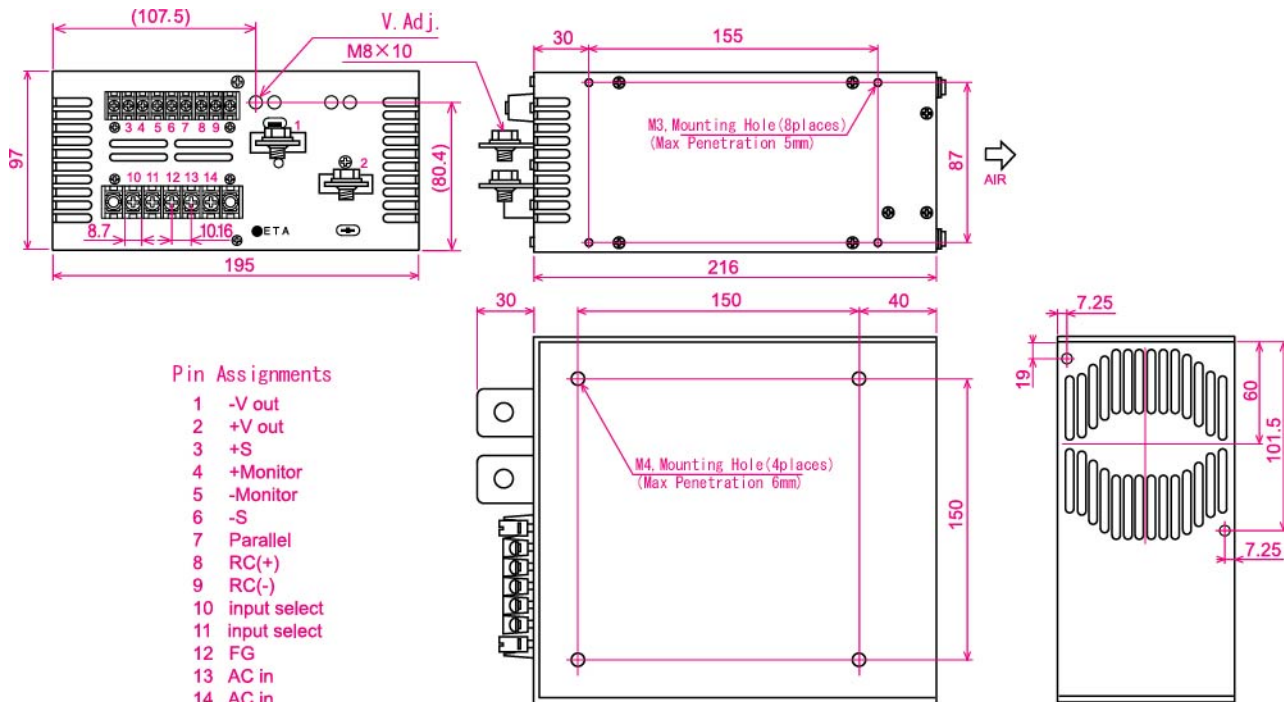
Options

- Terminal cover
- Combination of wire and harness (40cm)

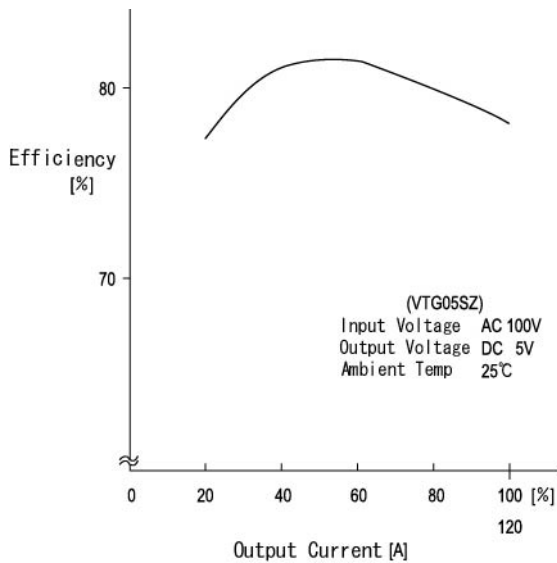
Output Characteristic	Models						
	Unit	VTG02SZ	VTG05SZ	VTG12SZ	VTG15SZ	VTG24SZ	VTG48SZ
Output Voltage	Vdc	2~3	5	12	15	24	48
Output Current	A	120	120	53	42	28	14
Ripple & Noise(max)	mVpp	80	100	170	200	290	530
Voltage Adjust Range	V	±10% of stated output range					
Rise time	mS	350mS max					
Hold up time	mS	20mS Typ.	40mS Typ.				
Regulation							
a. Line Regulation [max]	mV	30	40	36	45	72	144
b. Load Regulation	mV	40	60	60	75	120	240
c. Temperature Coefficient		0.03%/°C					
d. Drift(maximum)	mV	25/30	40	75	90	135	255
e. Dynamic Load Regulation (typ.) *2	mV	Info soon					
f. Recovery Time *2	mS	0.5mS typ.					
Efficiency *1	%	69/76	82	84	86	86	85
Power Factor *1		No information available					

Environmental Specification	
Operating Temperature*3	-10 to +71 °C
Operating Humidity	30~85% RH
Storage Temperature	-20 to +85 °C
Storage Humidity	25~90% RH
Withstanding Voltage	Primary-Secondary AC3,000V for 1minute Primary-Frame Ground AC2,500V for 1minute Secondary-Frame Ground AC1,000V for 1minute *Sensory Current: Secondary Frame Ground [10mA]
Isolation Resistance	Primary-Secondary-Frame Ground 50MΩ(minimum) by DC500V insulation tester
Vibration	5~10Hz:10mm double amplitude,10-55Hz:19.6m/s ² ,30 minute cycle each along X,Y,Z axes(non-operating)
Shock	294 m/s ² on x,y,z axis
Cooling	Fan cooled
Leakage current	Info soon
Environmental Agencies	
Line Conducted Noise [EMI]	Info soon
Line Harmonic Distortion/Current	Info soon
Safety	Info soon
Function/Protection	
Over current Protection	Automatic return
Over voltage Protection	Input reentry at shutdown
Remote Sense	Available
Remote Control	Available
Series Operation	No information
Parallel Operation	Available
Driving Indicator	No information
Mechanical	
Dimension [mm]	195W × 216L × 97H
Weight [g] (typical)	~3500g
MTBF [hours]	1,300,000
Switching frequency [kHz]	125 fix

Dimension Diagram(mm)



Efficiency Curve



OCP Curve

