



ETA-USA

HIGH QUALITY SWITCHING POWER SUPPLIES

AC/DC MEDICAL and ITE SWITCHING
POWER SUPPLY

SINGLE OUTPUT / UNIVERSAL RANGE INPUT
65 WATTS

ZWB65-SX-W5 Series



Dimension: L76.2xW50.8xH28.7mm



General Description

65 Watt Power supply for **industrial** and **medical** application. Certified Energy Star Level V.

Input

Input Voltage Range: 90-264VAC

Frequency: 47-63Hz

Input Current (rms): 1A @ 115Vac;
0.6A @ 230Vac max.

Inrush current: <65A peak@115VAC
<130A peak@23VAC

Efficiency : >87% @ max load,
115/230VAC

5V model >85% at
115VAC fill

Features

1. Meets Energy Star efficiency level V
2. Short Circuit Protection
3. Over-load Protection
4. Over voltage protection
5. 2 year warranty
6. >85% efficiency at full load
7. Universal input
8. Medical 60601-1 3rd ed. MOPP and ITE approved
9. High power density
10. No load power consumption <0.2W at 230VAC (5V model <0.1W)
11. Ultra low earth leakage current <189uA at 264VAC

Output Characteristic	Unit	ZWB65-05SX-W5	ZWB65-12SX-W5	ZWB65-15SX-W5	ZWB65-19SX-W5	ZWB65-20SX-W5	ZWB65-24SX-W5	ZWB65-28SX-W5	ZWB65-48SX-W5	ZWB65-56SX-W5	
		Output Voltage	Vdc	5	12	15	19	20	24	28	48
Output Current	A	8.0	5.41	4.33	3.42	3.25	2.7	2.32	1.35	1.16	
Output Power	W	40	65								
O/P Regulation	%	±3% of output									
Ripple & Noise (Vp-p) *	mVp-p	150	240	300							
Hold-up time	mS	>10ms typical at 75% load @ 115VAC									

* Peak-to-peak with 20MHz bandwidth with an electrolytic 10uF in parallel with a 0.1uF ceramic capacitor at output connector



ETA USA
16170 Vineyard Blvd. Suite 180, Morgan Hill, CA 95037
Phone: 1-800-ETA-POWR, (408) 778-2793 Fax: (408) 779-2753

Visit us at: www.eta-usa.com
email at: sales@eta-usa.com



ETA-USA

HIGH QUALITY SWITCHING POWER SUPPLIES

Environmental Specification	
Operating Temperature	-20°C to +70°C (derate linearly by 2.5% per °C from 41° to 70°C)
Storage Temperature	-20 to +85°C
Humidity	0%~90% non-condensing
MTBF demonstrated	>100,000 hours at full load and 25 °C ambient temperature
Environmental Agencies	
Safety Standards	ITE: UL 60950 -1 EN60950-1 CB IEC 60950-1 CSA 22.2 No.60950-1 Medical: UL 60601-1 3 rd ed CSA C22.2 No. 60601-1 3 rd ed EN60601-1 3 rd ed IEC 60601-1 3 rd ed
EMC Standards	ITE: CISPR 22 Class B, FCC PRT 15 Class B, EN55022 Class B, CE Medical: EN60601-1-2 , FCC Part 18 Class B, EN55011 Class B , CE
Protection	
Short circuit protection	Auto Recover
Over Load Protection	110% to 170% max rating, Auto Recover
Over Voltage Protection	Shutdown and latch off, AC Recycle
Mechanical	
Dimension [mm]: L76.2×W50.8×H28.7mm Weight: 120g	

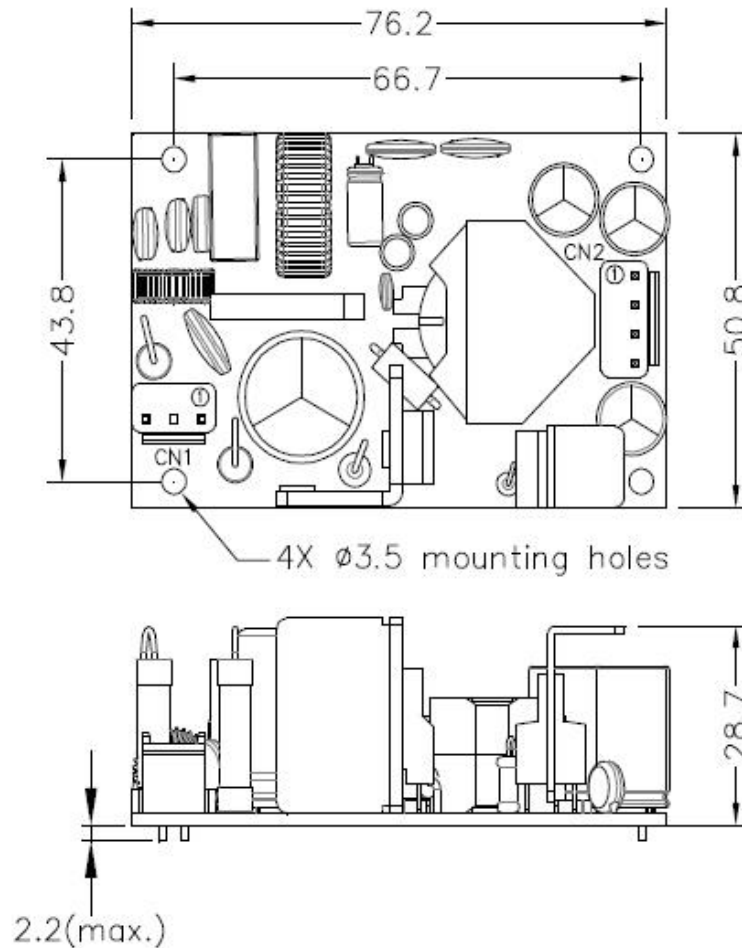




ETA-USA

HIGH QUALITY SWITCHING POWER SUPPLIES

DIMENSION DIAGRAM (mm)



MATCHING CONNECTORS

CN1: Input Connector

JST B3P-VH-B pitch: 7.92mm or equivalent, mates with JST VHR-3N or equivalent

Pin #	Signal
1	AC Line
2	AC Neutral

CN2: Output Connector

JST B4P-VH-B pitch: 3.96mm or equivalent, mates with JST VHR-4N or equivalent

Pin #	Signal
1	-Vo
2	-Vo
3	+Vo
4	+Vo

