



ETA-USA

THE POWER PROFESSIONALS

WRM**FWX-O



15 Watt AC/DC Dual Output

Universal Input
 Compact design with Inrush current protection
 Dual Output
 - WRM24FWX-O: 5V, 12V
 - WRM22FWX-O: 12V, 12V
 - WRM23FWX-O: 15V, 15V



		UNIT	
INPUT	Voltage/Freq	V	AC100V - 240V (AC85V ~ 264V or DC125V~ 370V), 50 / 60Hz (47 ~ 440Hz) Universal Input voltage
	Current Typ.	A	0.4A at 110V; 0.25A at 220V (I _o =100%)
	Power Factor	-	--
	Inrush Current	A	20A typ (AC IN 110V, I _o =100%), 40A typ (AC IN 220V, I _o =100%) at cold start
	Leakage	mA	0.75

		UNIT	WRM24FWX-O	WRM22FWX-O	WRM23FWX-O	
OUTPUT	Nominal Voltage	VDC	5 12	12 12	15 15	
	Efficiency typ	%	68		70	
	Current	A	0.1~2 0.5	0.1~.7 0.7	0.1~.5 0.5	
	Line Regulation	mV (max)	25 120	60 120	75 150	
	Load Regulation	mV(max)	50 120	120 120	150 150	
	Ripple	mVp-p	80 120	120 120	120 120	
	Ripple Noise maximum	mVp-p	120 150	150 150	150 150	
	Temperature Drift [0~+50C]	mV	75 180	180 180	225 225	
	Rise Time	mS	800 max [AC IN 110V/220V I _o =100%]			
	Hold up Time	mS	17 typ [AC IN 110V/220V, I _o =100%]			
Grounding		Individual Ground				

Protection	Over Voltage	Works at 115~140% of rating
	Over Current	Works at 110% over rated current and recovers automatically
Isolation	Input-Output	AC 3,000V 1 minute current 20mA, DC 500V 100MΩ (At room temperature & Humidity)
	Input-F.G	AC 2,000V 1 minute current 20mA, DC 500V 100MΩ (At room temperature & Humidity)
	Output-F.G	AC 500V 1 minute current 100mA, DC 500V 100MΩ (At room temperature & Humidity)
Environment	Operating temp/hum	-10 ~ +70°C, 20 ~ 90% RH(Non condensing)
	Storage temp/hum	-20 ~ +75°C, 20 ~ 90% RH(Non condensing)
	Vibration	10 ~ 55Hz at 1G, 3 minutes period, 30 minutes along X, Y and Z axis
Safety	Impact	10G for 20ms once on each X, Y and Z axis
	CE/ CB	IEC 60950-1, Built to meet UL60950-1, EN60950-1
Size	Line Con RF Voltage	EN55022-A
	MM/G	82 x 31.5 x 84 (99) / 210



ETA-USA

16170 Vineyard Blvd, Suite 180 Morgan Hill, CA 95037 <http://www.eta-usa.com>
 Toll-free (US only): 800-ETA-POWR (800-382-7697) Telephone: 408 778-2793 FAX: 408-779-2753

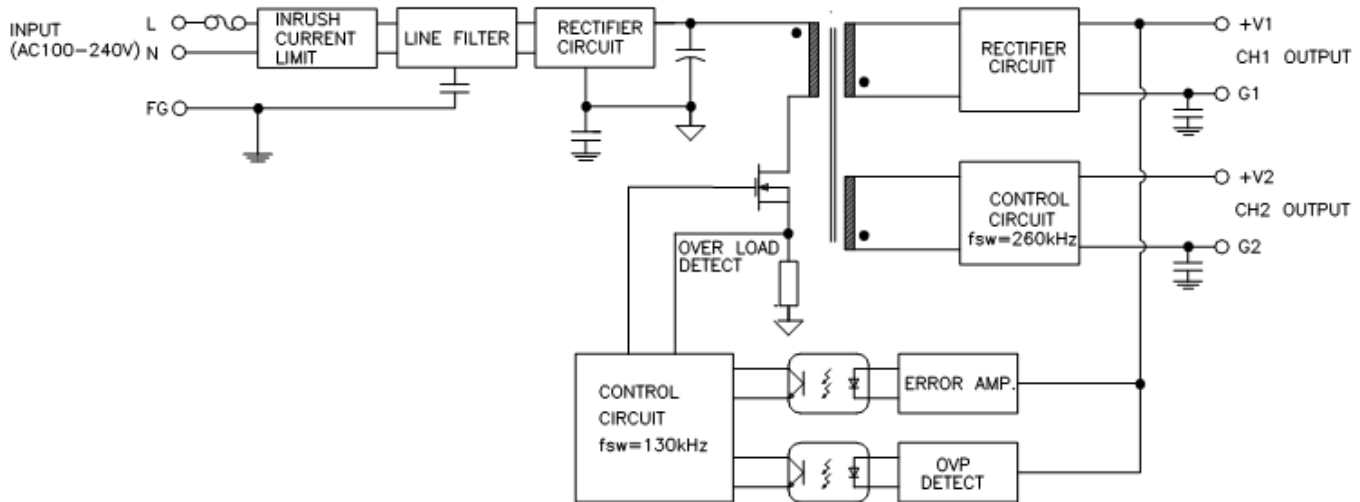


ETA-USA

THE POWER PROFESSIONALS

BLOCK DIAGRAM

WRM22FWX-O WRM23FWX-O WRM24FWX-O



ETA-USA

16170 Vineyard Blvd, Suite 180 Morgan Hill, CA 95037 <http://www.eta-usa.com>
Toll-free (US only): 800-ETA-POWR (800-382-7697) Telephone: 408 778-2793 FAX: 408-779-2753

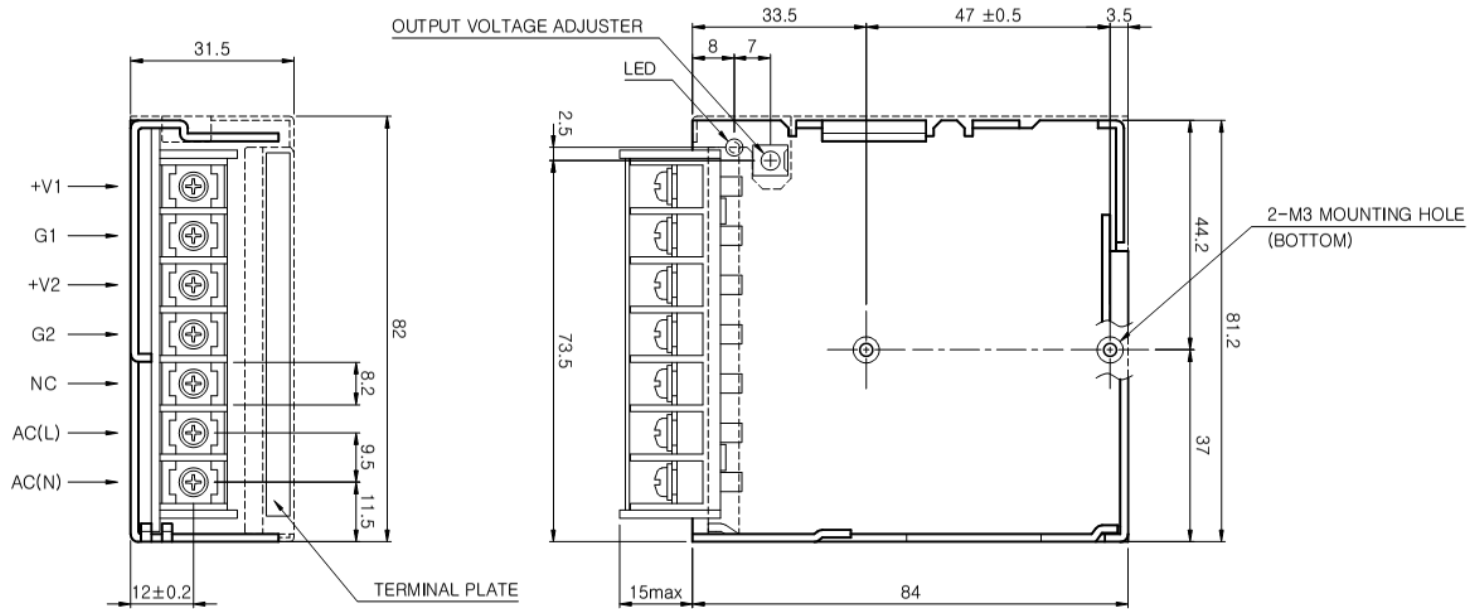


ETA-USA

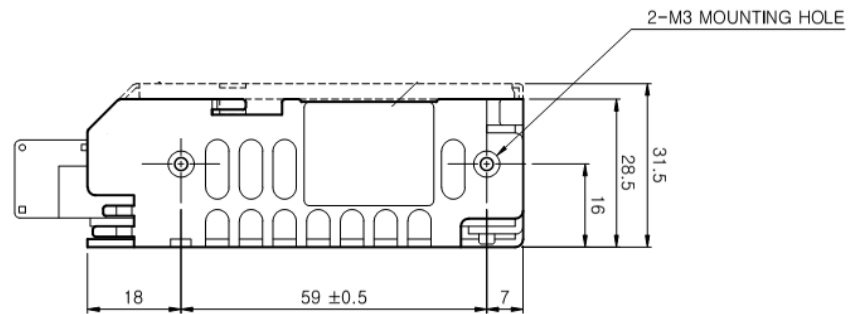
THE POWER PROFESSIONALS

DIMENSIONAL DRAWING (mm)

WRM22FWX-O WRM23FWX-O WRM24FWX-O



Mark	Pin Connection
L	AC input line
N	AC input neutral
NC	
+V1	DC V1 Output
-V1	DC V1 Ground
+V2	DC V2 Output
-V2	DC V2 Ground



ETA-USA

16170 Vineyard Blvd, Suite 180 Morgan Hill, CA 95037 <http://www.eta-usa.com>
 Toll-free (US only): 800-ETA-POWR (800-382-7697) Telephone: 408 778-2793 FAX: 408-779-2753



DERATING CURVE AND RECCOMENDED MOUNTING DIAGRAM

