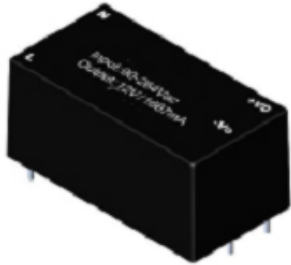


OAM10- Series

10 W AC/DC Medical Grade



Isolated output 4000VAC
 Up to 83% Efficiency
 Encapsulated compact size 2" X1"
 Medical safety design refer to (2 X MOPP)
 ANSI/AAMI ES60601-1 and IEC/EN60601-1
 No load power consumption<0.1W
Applications:
 Portable medical device, Mobile clinical workstation, Medical computer monitor & Medical examination instrument



PENDING



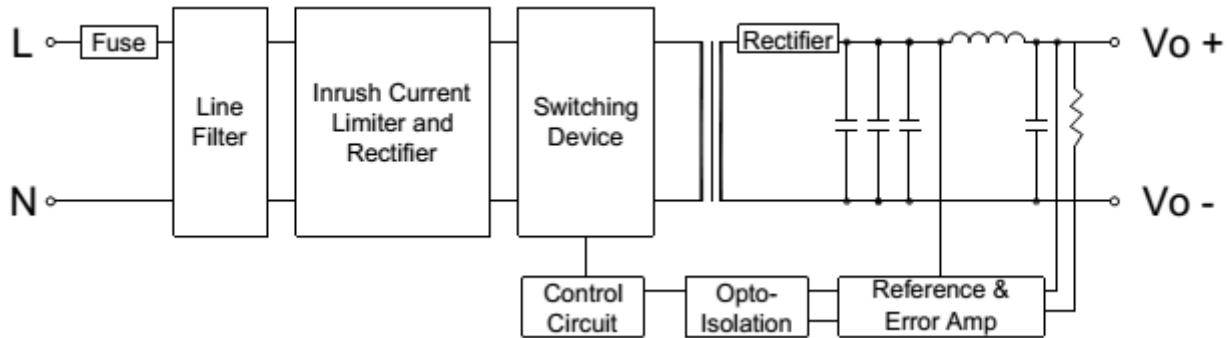
		UNIT		
INPUT	Voltage/Freq	V	Universal Input voltage AC 80V ~ 264V (DC 105V~370V)	47 ~ 63Hz
	Current Typ. 110V	A	0.3 A	
	220V		0.2 A	
	Min. Load	-	0%	
	Inrush Current	A	115V 25A (Ta=25°C, Io=100% at cold Start); 230V 45A (Ta=25°C, Io=100% at cold Start)	
Input Fuse		Fuse 2.5A /250V (slow Blow)		

		UNIT	OAM10-5	OAM10-12	OAM10-15	OAM10-24
OUTPUT	Nominal Voltage	VDC	5	12	15	24
	Efficiency typ	%	80	82	82	83
	Current	A	2.00	0.85	0.67	0.46
	Transient Recovery time	us	Vi nom, Io nom = ←→0.5 Io nom Typ. 1000us			
	Line Regulation	%	+/-0.3	+/-0.3	+/-0.3	+/-0.3
	Load Regulation	%	+/-0.5	+/-0.5	+/-0.5	+/-0.5
	Ripple Noise 20MHz BW full load	mVp-p	100	180	180	200
	Voltage Accuracy	%	+/-3	+/-2	+/-2	+/-2
	Over Load Protection		Auto Recovery Above 110% rated output power			
	Short Circuit Protection		CONT. Auto Recovery 110%~150%			
Over Voltage Protection		Zener Diode Clamp				



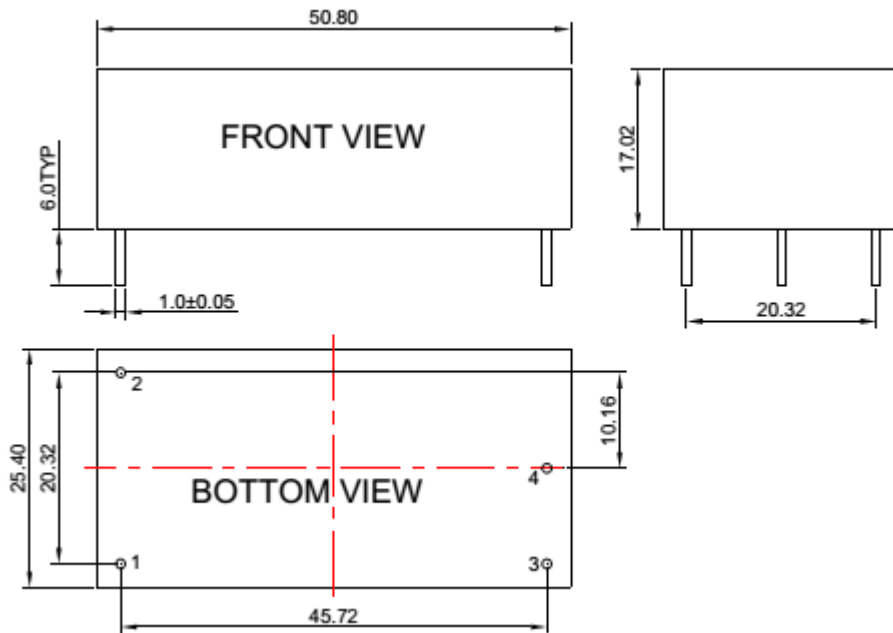
	Switching Frequency	Vi nom, Io nom	65KHz
Isolation	Isolation Voltage	Input / Output 4KVac/ 5mA/ 60 Secs	
	Isolation Resistance	Input / Output, @500 Vdc 100MΩ	
Environment	Operating Temp/Hum.	-20~ +85°C	
	Storage Temp/Hum.	-40 ~ +100°C HUMIDITY 95% 5RH%	
	Derating	Vi nom, Io nom+51 to 71°C 2 %/°C	
Safety	UL/CE	EN60950-1	
	EMI Conduction & Radiation	Compliance to EN55022	
	EMS Immunity	Compliance to EN55024	
Size	MM	L 50.8 X W25.4 X H17.02mm 40 G	

BLOCK DIAGRAM





DIMENSIONAL DRAWING (mm)



PIN 1	PIN 2	PIN 3	PIN 4
AC LINE	AC NEUTRAL	-Vout	+Vout

OUTPUT DERATING CURVES

