

AOPS15 Series 15 Watt AC/DC Power Supply



Universal Input
 Inrush current protection
 Over Current Protection
 UL, CE recognized
 2 year Warranty



		UNIT					
INPUT	Voltage/Freq	V	AC85V ~ 264V or DC120V~ 370V), 50 / 60Hz (47 ~ 440Hz) Universal Input voltage				
	Current Typ. 110V	A	0.3	0.4			
	220V		0.15 @ 3.3 VDC	0.2 all other voltages			
	Power Fac 110V	-	N/A				
	220V						
	Inrush Current	A	110V 20 (Ta=25°C , lo=100% at cold Start); 220V 40 (Ta=25°C , lo=100% at cold Start)				
Leakage	mA	110V=3.5	220V=3.5				
		UNIT	AOPS15-3.3	AOPS15-5	AOPS15-9	AOPS15-12	
OUTPUT	Nominal Voltage	VDC	3.3	5	9	12	
	Efficiency typ	%	65	75	75	75	
			68	76	76	76	
	Current	A	3.0	3.0	1.7	1.3	
	Line Regulation	mV	25	25	45	60	
	Load Regulation	mV	50	50	90	120	
	Ripple	mVp-p	80	80	120	120	
	Ripple Noise maximum	mVp-p	120	120	150	150	
	Temperature Drift [0-+50C]	mV	75	75	135	180	
	Rise Time	mS	200 max [AC IN 85 I _o =100%]				
	Hold up Time	mS	17 typ [AC IN 85V,I _o =100%]				
	OVP	-					
	OCP	-	3.3~4.8	3.3~4.8	1.87~2.46	1.43~1.88	
	Remote ON OFF	-	-	-	-	-	
	Remote Sensing	-	-	-	-	-	
	Power Fail Signal	-	-	-	-	-	
	Parallel/Series Operation		N/A				
Cooling OTP		Convection Cooling					



		UNIT	AOPS15-15	AOPS15-24		
OUTPUT	Nominal Voltage	VDC	15	24		
	Efficiency typ	%	77 78	77 78		
	Current	A	1.0	0.7		
	Line Regulation	mV	75	120		
	Load Regulation	mV	150	240		
	Ripple	mVp-p	120	120		
	Ripple Noise maximum	mVp-p	150	150		
	Temperature Drift [0-+50C]	mV	225	360		
	Rise Time	mS	200 max [AC IN 85 I _o =100%]			
	Hold up Time	mS	17 typ [AC IN 85V, I _o =100%]			
	OVP	-				
	OCP	A	1.1~1.45	.77~1.02		
	Remote ON OFF		-	-		
	Remote Sensing		-	-		
	Power Fail Signal		-	-		
	Parallel/Series Operation		N/A			
	Cooling OTP		Convection Cooling			

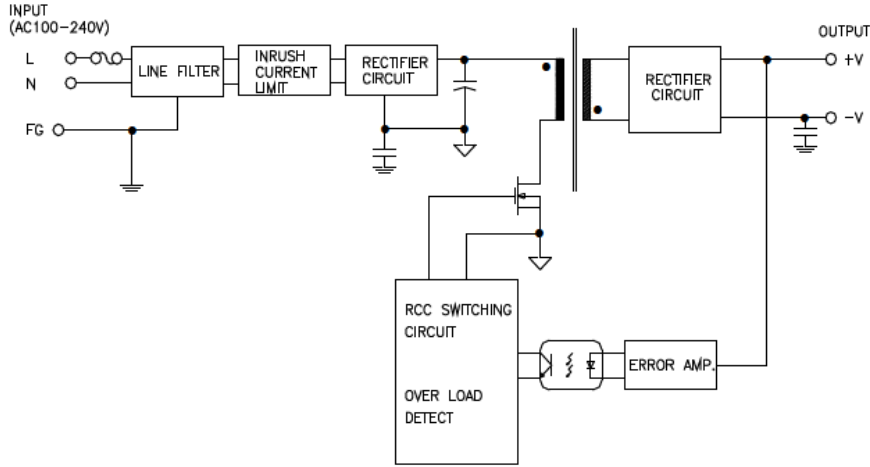
Isolation	Input-Output	AC 3.0 KV 1 minute current 20mA, DC 500V 100MΩ (At room temperature & Humidity)			
	Input-Case	AC 2.0 KV 1 minute current 20mA, DC 500V 100MΩ (At room temperature & Humidity)			
	Output-Case	AC 0.5 KV 1 minute current 100mA, DC 500V 100MΩ (At room temperature & Humidity)			
Environment	Operating temp/hum	-10 ~ +70°C, 20 ~ 90% RH(Non condensing)			
	Storage temp/hum	-20 ~ +75°C, 20 ~ 90% RH(Non condensing)			
	Vibration	10 ~ 55Hz at 1G, 3 minutes period, 30 minutes along X, Y and Z axis			
	Impact	10G for 20ms once on each X, Y and Z axis			
Safety	UL/CE	UL 60950-1, 2nd Ed+AM1+AM2			
	Line Emission	, EN55022-A			
Size	MM/G	82x28x65	200 grams		



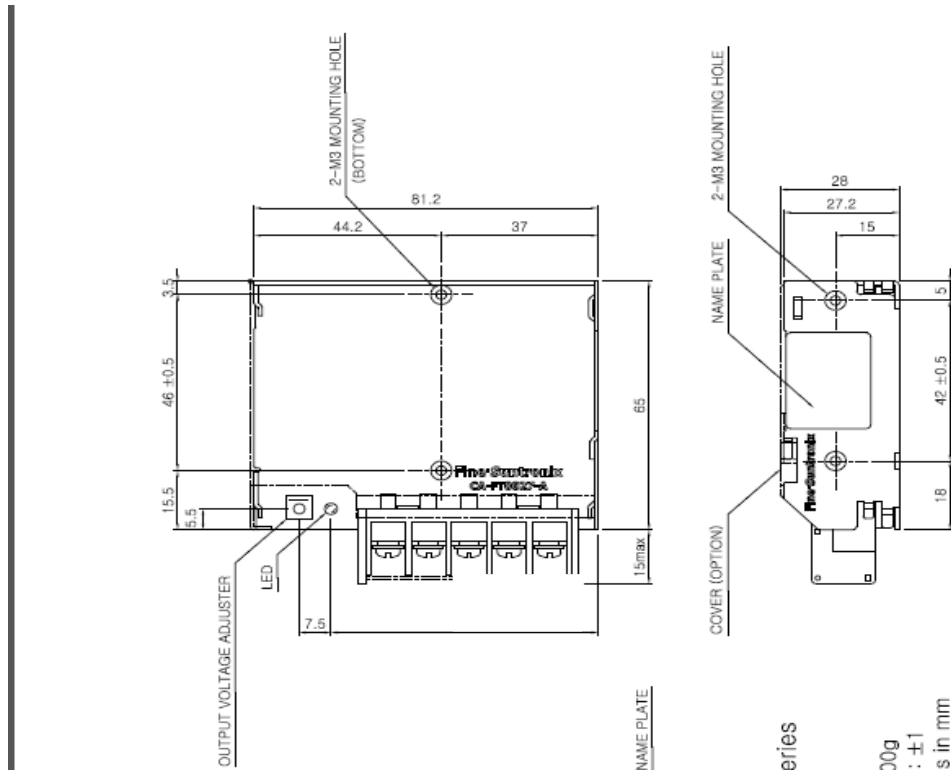


BLOCK DIAGRAM

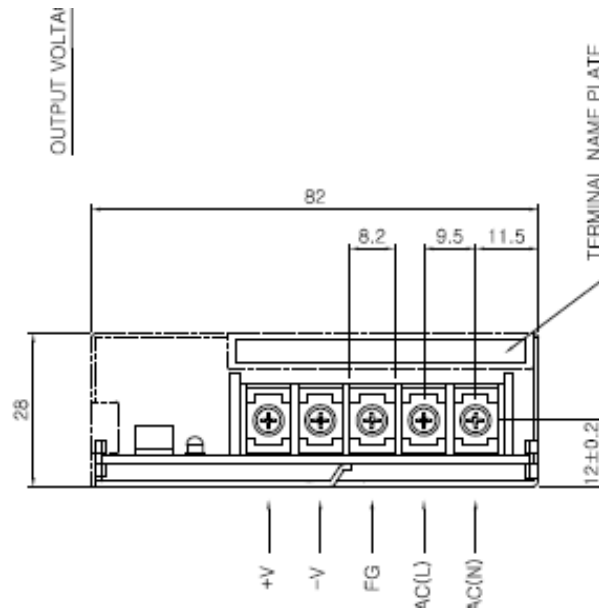
1. BLOCK DIAGRAM



DIMENSIONAL DRAWING (mm)



Terminal Output



OUTPUT DERATING CURVE AND RECOMMENDED MOUNTING DIAGRAM

