



ETA-USA

THE POWER PROFESSIONALS

AOBN-15

15 Watt AC/DC Power Supply



Universal Input PCB Mounted
Built-in inrush current protection
Over Voltage Protection
CE, UL recognized
2 year Warranty

		UNIT						
INPUT	Voltage/Freq	V	AC100V - 240V (AC85V ~ 264V or DC125V~ 370V), 50 / 60Hz (47 ~ 440Hz) Universal Input voltage					
	Current Typ.	A	0.37 (I _o =100%)					
	Power Factor	-	--					
	Inrush Current	A	110V 20A I _o =100% ; 220V 40A, I _o =100%					
	Leakage	mA	3.5mA					
		UNIT	AOBN15-3.3	AOBN15-5	AOBN15-9	AOBN15-12	AOBN15 -15	AOBN15 -24
OUTPUT	Nominal Voltage	VDC	3.3	5	9	12	15	24
	Efficiency typ	%	72	72	75	75	76	80
	Current	A	3	3	1.6	1.2	1	0.6
	Line Regulation	mV	25 max	25 max	45 max	60 max	75 max	120 max
	Ripple	mVp-p	50 max	50 max	90 max	120 max	150 max	240 max
	Ripple Noise maximum	mVp-p	100 max	100 max	135 max	180 max	225 max	290 max
	Temperature Drift [0-+50C]	mV	49.5 max	75 max	135 max	180 max	225 max	360 max
	Rise Time	mS	500 max [AC IN 85V I _o =100%]					
Holdup-Time	mS	10 typ [AC IN 85V I _o =100%]						

Protection	Over Voltage	Works at 110% of rating and recovers automatically
	Over Current	Works at 110% of rating and recovers automatically
Isolation	Input-Output	AC 3,000V 1 minute current 20mA, DC 500V 100MΩ (At room temperature & Humidity)
	Input-F.G	AC 2,000V 1 minute current 20mA, DC 500V 100MΩ (At room temperature & Humidity)
	Output-F.G	AC 500V 1 minute current 100mA, DC 500V 100MΩ (At room temperature & Humidity)
Environment	Operating temp/humid	-10 ~ +60°C, 20 ~ 90% RH(Non condensing)
	Storage temp/humid	-20 ~ +75°C, 20 ~ 90% RH(Non condensing)
	Vibration	10 ~ 55Hz at 1G, 3 minutes period, 30 minutes along X, Y and Z axis
	Impact	10G for 20ms once on each X, Y and Z axis
Safety	UL/CE	60950-1, 2nd Ed+AM1+AM2
Size	MM/G	50 x 26 x 115 200 grams



ETA-USA

16170 Vineyard Blvd, Suite 180 Morgan Hill, CA 95037 <http://www.eta-usa.com>

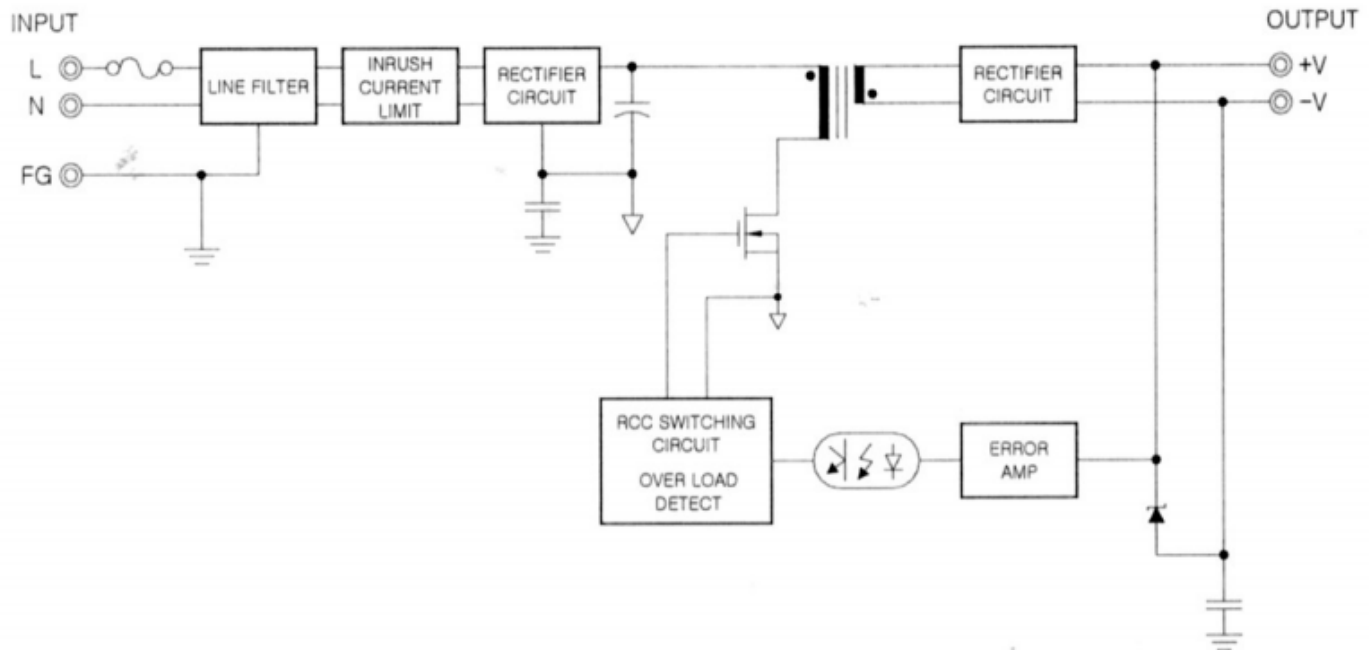
Toll-free (US only): 800-ETA-POWR (800-382-7697) Telephone: 408 778-2793 FAX: 408-779-2753



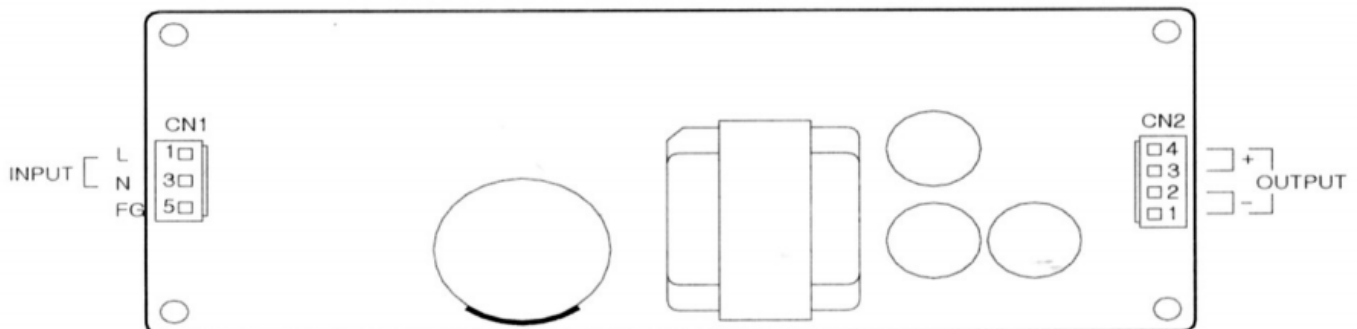
ETA-USA

THE POWER PROFESSIONALS

BLOCK DIAGRAM



Dimensional Drawing



CN1	1	AC (L)
	3	AC(N)
	5	FG
CN2	1, 2	V-
	3, 4	V+

	I/O Connector	Mating Connector	Terminal	Mfr
CN1	1-1123722-5	1123723 or 1123724	-	TE
CN2	CN2	5051-04	4809	Molex



ETA-USA

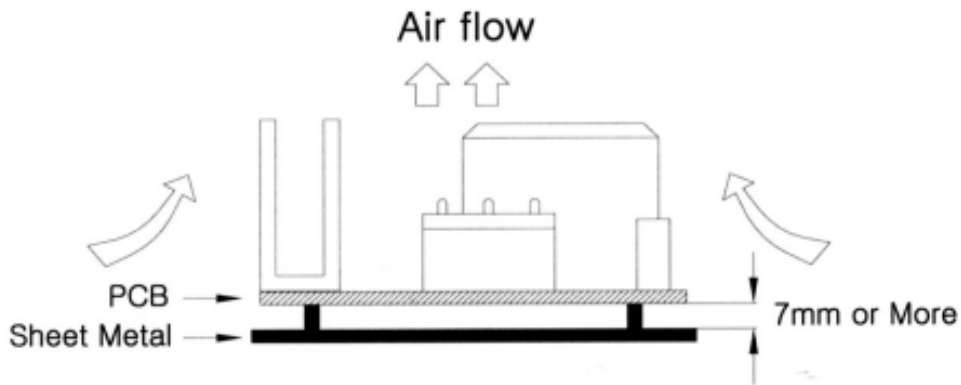
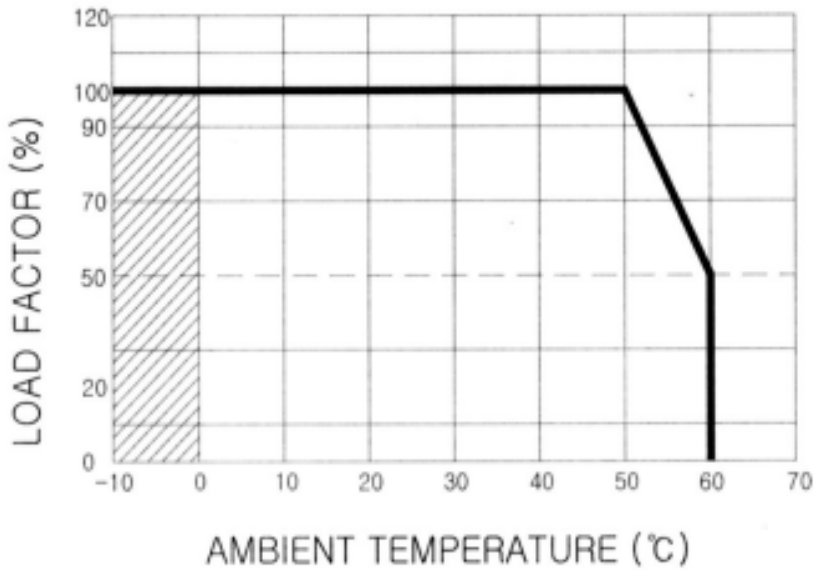
16170 Vineyard Blvd, Suite 180 Morgan Hill, CA 95037 <http://www.eta-usa.com>
 Toll-free (US only): 800-ETA-POWR (800-382-7697) Telephone: 408 778-2793 FAX: 408-779-2753



ETA-USA

THE POWER PROFESSIONALS

DERATING CURVE AND RECCOMENDED MOUNTING DIAGRAM



ETA-USA

16170 Vineyard Blvd, Suite 180 Morgan Hill, CA 95037 <http://www.eta-usa.com>
Toll-free (US only): 800-ETA-POWR (800-382-7697) Telephone: 408 778-2793 FAX: 408-779-2753