



## ZMP-SC/WC

## 400W



### FEATURES

- ITE & Medical Dual Safety Approvals
- High Power density, 400W in 5" x 3.2" footprint.
- 2 MOPP ; Suitable for BF application, except T (Fan on Top)
- ITE up to 5000m , Medical Below 3000m.
- No load power consumption <0.5Watts. ( for 5Vsb standby mode )
- Main output and Standby output Power ON LED indicators.
- 3 years warranty.



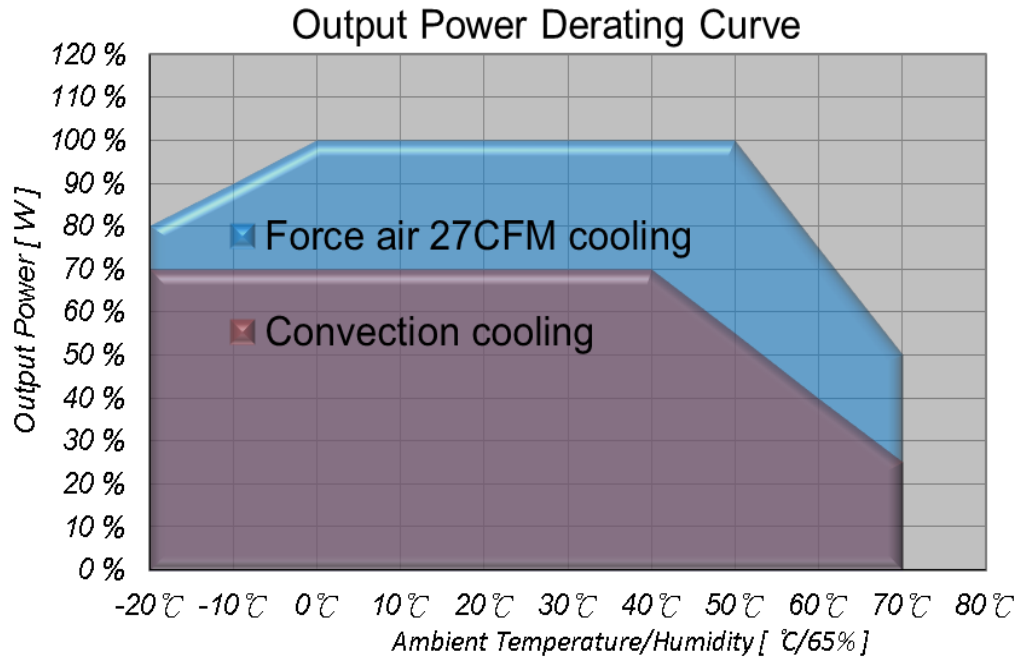
MODEL/CHANNEL		Unit	ZMP12 SX-F-W	ZMP24 SX-F-W	ZMP28 SX-F-W	ZMP48 SX-F-W	ZMP54 SX-F-W	
<b>OUTPUT</b>	Output Voltage	Vdc	12	24	28	48	54	
	Convection	A	20.83	10.42	8.92	5.21	4.63	
	Ripple and Noise(max.) *3	mV	150	240	280	400	400	
	27 CFM Forced Air	A	33.33	16.67	14.28	8.33	7.41	
	FAN Output	A	12V/0.3					
	Standby Supply	A	5V/0.5A					
	Convection	W	250					
	Output Regulation	%	±3					
<b>INPUT</b>	Input Voltage Range	Vac	90 - 264VAC					
	Efficiency (typical) *2	%	> 91% typical @full load, 230VAC					
	Frequency	A	47 - 63Hz					
	Inrush Current	V	< 45A peak @115VAC; < 80A peak @230VAC cold start @25°C					
	Input Current	A	4.2A @115VAC; 2.1A @230VAC max.					
	Power Factor	-	> 0.95 @115VAC; > 0.90 @230VAC @full load					
	Hold Up Time	ms	> 10ms typical 50% load, 115VAC					
<b>Environmental Agencies</b>	Safety	-	UL/c-UL 60601-1 3.1rd Edition TUV EN60601-1 3.1rd Edition CB IEC60601-1 3.1rd Edition UL/c-UL UL62368-1 TUV EN62368-1 CB IEC 62368-1 CB IEC 60950-1					
	Emission	-	EN60601-1-2 Ed4:2015 IEC60601-1-2 Ed4:2014 EN 55011 Class B EN55032 Class B EN55024 Class B FCC Part 15 Class B FCC Part 18 Class B CE					
<b>Environment</b>	Overload protection	-	105% to 160% maximum rating, Auto-recovery					
	Overvoltage protection	-	Auto-recovery					
	Short Circuit protection	-	Auto-recovery					
<b>Environment</b>	Operating Temperature	°C	-20 to +70°C.					
	Operating Humidity	%	Non-condensing 0% to 90%.					
	Storage Temperature	-	-20°C to +85°C.					
	Cooling	-	Derate linearly 2.5% per°C from 51 to 70°C. Derate linearly 1% per°C from -1 to -20°C.					
	MTBF	H	> 250,000 hours @full load and 25°C ambient temperature per telcordia(Bellcore TR-332).					
<b>Dimension</b>	Size(WxHxD) / Weight	mm/g	127Lx81W ±1 x38.1H max/523g U Channel		127Lx8W1x42.1H/561g Enclosed			127Lx81Wx62H/ 597g With Fan





## Derating Curve (mm)

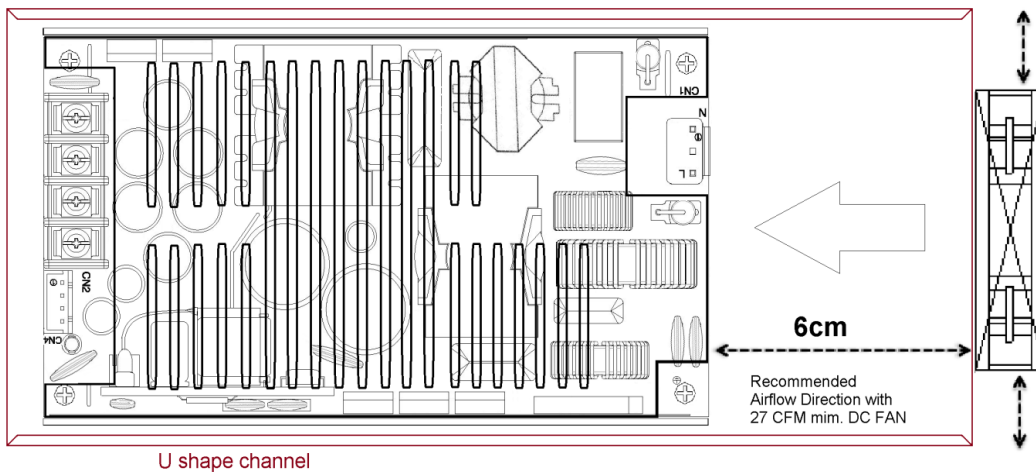
400W



## Dimension Diagram (mm)

400W

The DC FAN distance to equipment 6 CM center, UUT add U shape channel. Enclosed type



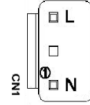


### Pin assignment

#### CN1: Input Connector

JST B2P3-VH pitch: 3.96mm or equivalent, mates with JST VAR-2 or equivalent

Pin #	Signal
1	AC Neutral
2	AC Line



#### CN4: FAN Output Connector

JST B2B-XH-A pitch: 2.5mm or equivalent, mates with JST XHP-2 or equivalent

Pin #	Signal
1	+12V FAN+
2	GND FAN-



#### CN2: Main Output Connector

##### Terminal Block Type

4-Pole Terminal block pitch: 8.25mm, rate 20A/300V or equivalent

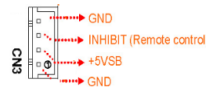
Pin #	Signal
1	GND
2	GND
3	+Vout
4	+Vout



#### CN3: Remote control & Standby supply

JST B4B-XH-A pitch: 2.5mm or equivalent, mates with JST XHP-4 or equivalent

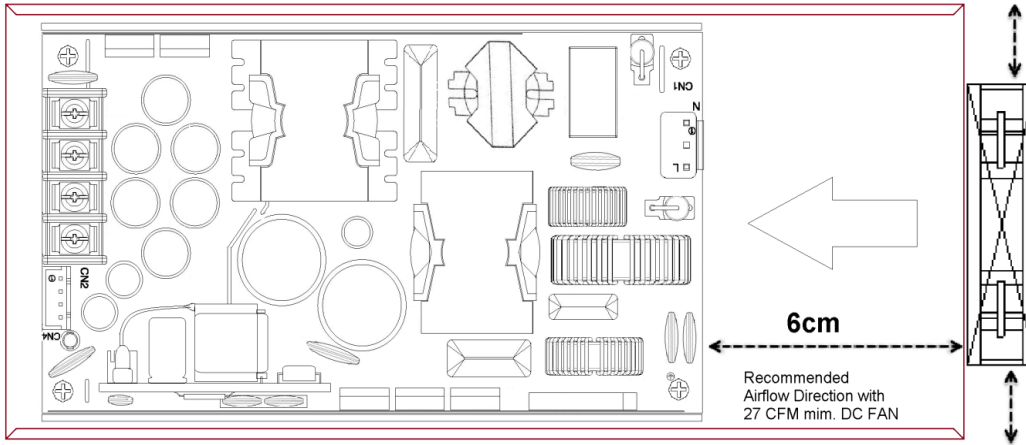
Pin #	Signal
1	GND
2	+5VSB
3	INHIBIT (Remote control)
4	GND



INHIBIT → Logic level HIGH (5V) or Floating : Enable, Logic level LOW : Disable

### DC FAN Recommended Direction

#### U-Channel type



U shape channel

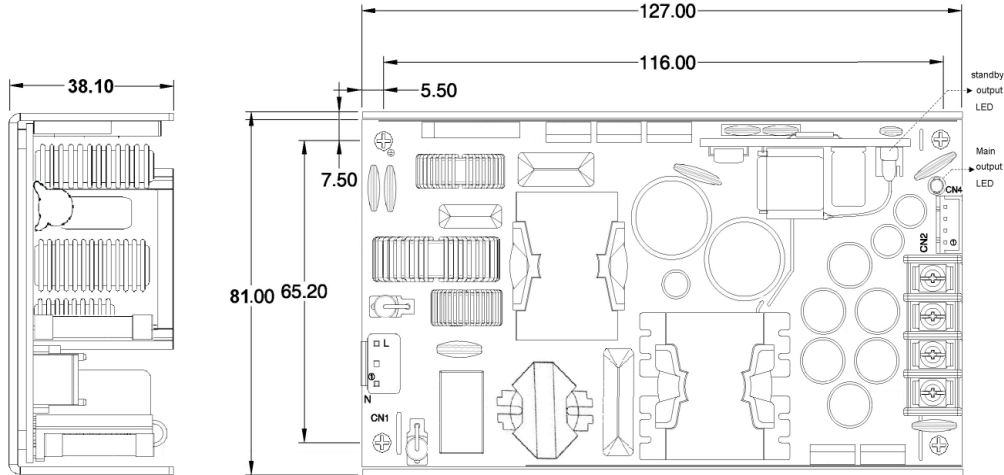




## Mechanical Specification (mm)

400W

### U-Channel type



### Enclosed type

