



VTM-C/D

12.5W



FEATURES

- Variety of Models
- Chassis mount type
- Compact and High Efficiency
- Triple Output
- **Isolated Power Supply**

MODEL/CHANNEL		Unit	VTM01-C/D			VTM03-C/D			VTM04-C/D		
OUTPUT (Double)	Output Voltage	Vdc	+5	+12	-12	+5	+12	-5	+5	+15	-15
	Output Current	A	1.8	0.15	0.15	1.8	0.15	0.15	1.8	0.12	0.12
	Line Regulation	mV	20	6	6	20	6	2.5	20	7.5	7.5
	Load Regulation	mVp	40	60	60	40	60	25	40	75	75
	Ripple and Noise	mVp	100	25	25	100	25	25	100	25	25
	Drift	mV	40	75	75	40	75	40	40	90	90
	Voltage Adjustment Range	-	V1: +/-3% of Rated Output Voltage V2, V3: +/-3.5% of Rated Output Voltage								
	Rise Up Time	mS	200mS(maximum) at 25°C and rated input/output								
	Temp. Coefficient	°C	0.02%/°C								
	Hold Up Time	mS	Not specified (Vin=110 6mS)								
MODEL/CHANNEL		Unit	VTM01C12		VTM03-12		VTM04B-12				
INPUT	Input Voltage 12V	Vdc	DC 12V								
	Input Voltage Range	Vdc	DC 9.2V-16V								
	Efficiency	%	62								
	MTBF	H	670,000								
	Switching Frequency	-	42 Fix								





VTM-C/D

12.5W

MODEL/CHANNEL	Unit	VTM01C24	VTM03C24	VTM04C24
Input Voltage 24V	Vdc		DC 24V	
Input Voltage Range	Vdc		DC 19-32V	
Efficiency	%		62	
MTBF	H		660,000	

MODEL/CHANNEL	Unit	VTM01C48	VTM03C48	VTM04C48
Input Voltage 48V	Vdc		DC 48V	
Input Voltage Range	Vdc		DC 38-63V	
Efficiency	%		62	
MTBF	H		660,000	

MODEL/CHANNEL	Unit	VTM01D	VTM03D	VTM04D
Input Voltage 110V	Vdc		DC 110V	
Input Voltage Range	Vdc		DC 85-140V	
Efficiency	%		62	
MTBF	H		690,000	

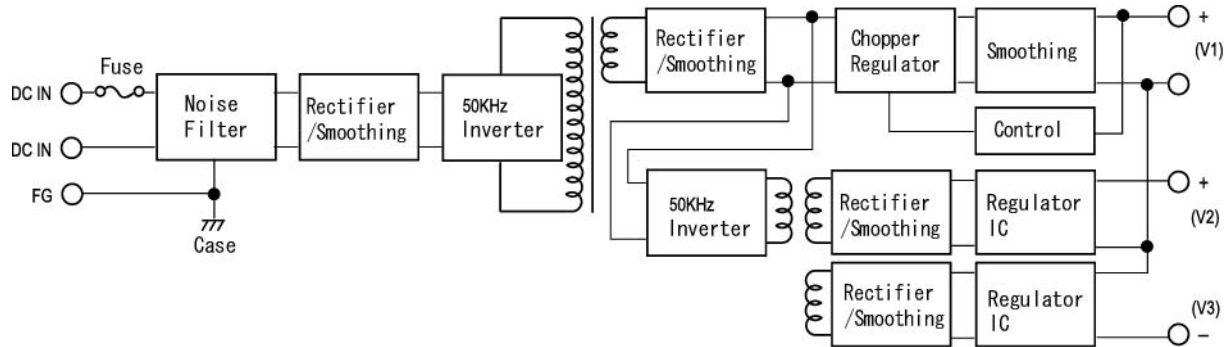
MODEL/CHANNEL	Unit			
---------------	------	--	--	--

Environment	Operating Temperature	°C	0 to +50°C	
	Operating Humidity	%	85%RH(non-condensing)	
	Storage Temperature	°C	-20 to +85°C	
	Withstand Voltage	V	Primary-Secondary AC1,500V for 1 minute (Vin=110 2000) Primary-Frame Ground AC1,500V for 1 minute (Vin=110 2000) Secondary-Frame Ground AC500V for 1 minute	
	Isolation Resistance	-	Primary-Secondary-Frame Ground 50MΩ(minimum) by DC500V insulation tester	
	Shock	-	294m/s ²	
	Cooling	-	Convection	
	Vibration	-	5-10Hz: 10mm double amplitude, 10-55Hz: 19.6m/s ² , 20 minutes period for 60 minutes each along X, Y, Z axes(non-operating)	
	Switching Frequency	-	42 Fix	
Protection	Over Current Protection	A	V1: automatic recovery V2, V3: short circuit for short time	
	Reverse Voltage Protection	-	by internal fuse (Vin=110 by internal bridge diode)	
Dimension	Size(WxHxD) / Weight	mm/g	80W×118L×25H/250g	

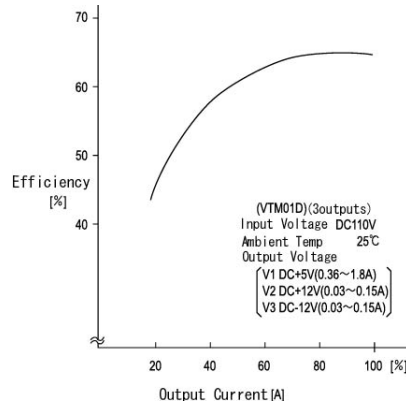




Block Diagram



Efficiency Curve



OCP Curve

