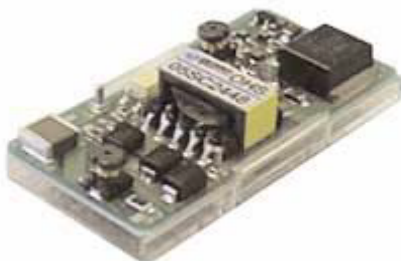




OHS-SC/WC

10W Open Frame



FEATURES

- PCB Mountable
- Small, Light Weight
- Isolation Voltage: 500 Vmin
- Ultra wide input-range(4-72Vdc)
- Wide operating temp. Range(-20°C~+71°C)
- Small input current at no load
- Fixed switching frequency 170kHz
- Over current protection
- The pin layout is compatible to standard
- Wide range input (8V~32VDC & 18V~72VDC) 4:
- **Isolated Power Supply**



MODEL/CHANNEL		Unit	OHS 05SC	OHS 12SC	OHS 15SC	OHS 24SC	OHS 48SC	OHS 22WC	OHS 23WC			
OUTPUT	Output Voltage	Vdc	5	12	15	24	48	±12	±15			
	Output Current	A	2	0.9	0.7	0.45	0.22	0.45	0.35			
	Line Regulation max.	mV	25	60	75	120	240	60	75			
	Load Regulation max.	mV	25	60	75	120	240	60	75			
	Dynamic Line	mV	100	100	100	200	1440	±360	±450			
	Dynamic Load	mV	250	600	750	1200	960	±720	±900			
	Voltage Adjustment Range	mV	±0.1V MAX	±0.24V MAX	±0.3V MAX	±0.48V MAX	±0.96V MAX	±0.24V MAX	±0.3V MAX			
	Drift	mV	40	75	90	135	255	75	90			
	Ripple and Noise(max.)	mVp	100mVp-p Max.									
	Temperature Coefficient	-	0.03%/°C Max.									
Hold Up Time	mS	10mS typical										
MODEL/CHANNEL		Unit	OHS05 SC1224		OHS12 SC1224		OHS15 SC1224		OHS24 SC1224		OHS48 SC1224	
INPUT	Input Voltage	Vac	12	24	12	24	12	24	12	24	12	24
	No Load	mA	56	45	73	61	56	49	56	52	47	43
	Rated Load	mA	1040	530	1095	561	1035	528	1053	524	1023	523
	Input Leak Voltage	mVp	300	200	300	200	300	200	300	200	300	200
	Efficiency (typical)	%	80	78	82	80	84	82	85	83	86	84
	Input Voltage Range	Vdc	DC8V~32V									





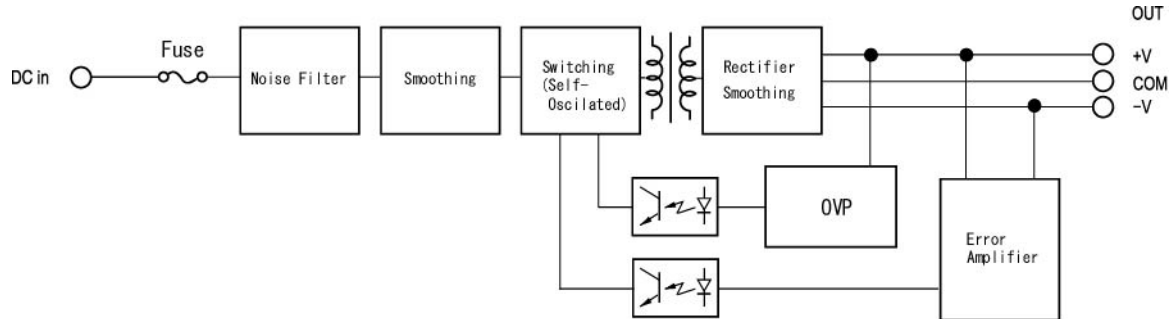
MODEL/CHANNEL		Unit	OHS05 SC2448		OHS12 SC2448		OHS15 SC2448		OHS24 SC2448		
INPUT	Input Voltage	Vac	24	48	24	48	24	48	24	48	
	Input Leak Voltage	mA	300	200	300	200	300	200	300	200	
	No Load	mA	21	19	25	23	28	25	26	24	
	Rated Load	mVp	502	252	535	267	517	258	511	256	
	Efficiency (typical)	%	83	82	84	84	85	85	87	87	
	Input Voltage Range	Vdc	18~72								
MODEL/CHANNEL		Unit	OHS22 WC1224		OHS23 WC1224		OHS22 WC2448		OHS23 WC2448		
INPUT	Input Voltage	Vdc	12	24	12	24	24	48	24	48	
	Input Range No Load	mA	62	48	66	52	28	27	27	24	
	Input Range Full Load	mA	1111	570	1067	546	542	271	520	260	
	Line Back Noise	mVp	300	200	300	200	300	200	300	200	
	Efficiency (typical)	%	81	79	82	80	83	83	84	84	
	Input Voltage Range	Vdc	8-32				18-72				
Environment	Operating Temperature	°C	-20~+71°C (50°C 3.5%/°C)								
	Operating Humidity	%	20~90%RH								
	Storage Temperature	°C	-20 to +85°C								
	Isolation Voltage	-	Primary-Secondary AC500V for 1 minute								
	Isolation Resistance	-	Primary-Secondary 50MW(minimum) by DC500V insulation tester								
	Shock	-	294m/s ²								
	Cooling	-	Convection								
	Vibration	-	5-10Hz: 10mm double amplitude, 10-55Hz: 19.6m/s ² , 20 minutes period for 60 minutes each along X,Y,Z axes(non-operating)								
Capaticance	-	2200									
Protection	Over Current Protection	-	Fold back protection (Automatic recover)								
	Over Voltage Protection	-	Output Voltage Limiting								
	Reverse Voltage Protection	-	Installed 2A								
Dimension	Size(WxHxD) / Weight	mm/g	25.4Wx50.8Lx11H/14g								





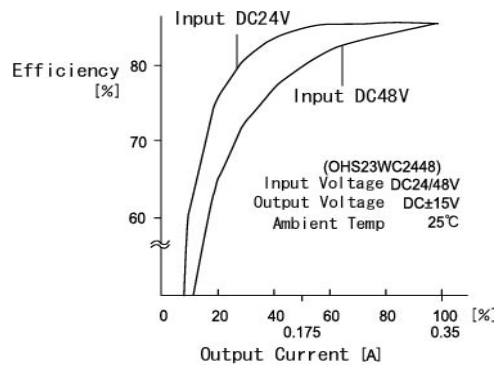
Block Diagram

10W Open Frame



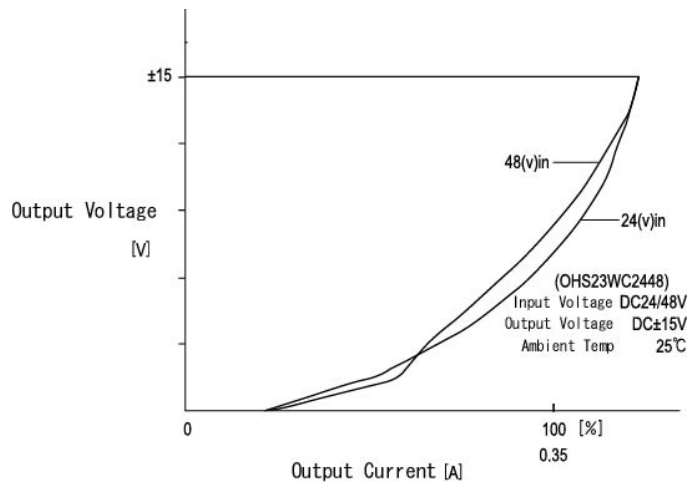
Efficiency Curve

10W Open Frame



OCP Curve

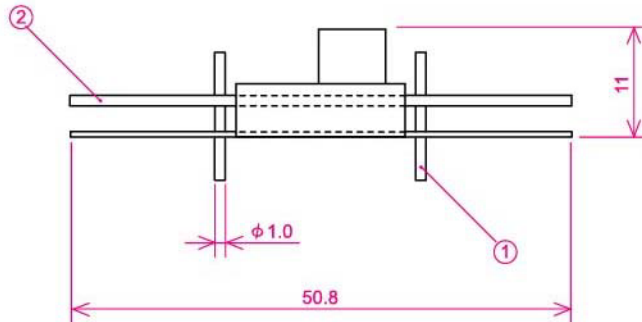
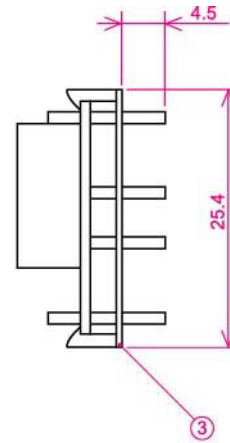
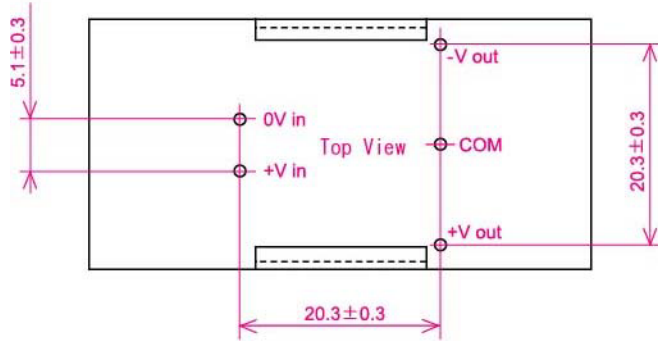
10W Open Frame





Dimension Diagram (mm)

10W Open Frame



① 1.0DIA PIN Material:BsB 2700 1/2H

Copper Plating 1~3 μ m

Solder Plating 3~8 μ m

② Double-sided PCB FR4t=1.0

③ Insulator UL94V2

*Tolerance ± 0.5

