



**OBR23WC1224I**

**6 Watt DC/DC Power Supply**



**FEATURES**

- Wide input 4:1
- Dual Output**
- Low noise
- Tight regulation  $\pm 0.5\%$  Max.
- High Isolation Voltage 1500 VDC

\*Image for marketing purposes only-unit may differ



		UNIT	OBR23WC1224I	
<b>INPUT</b>	Nom Voltage (Range)	V	24VDC 8~32 Vdc	
	Current Typ.	mA	38mA Typ At no load	
	Start-up Time	ms	10 MAX	
		UNIT	OBR23SC2448I	
<b>OUTPUT</b>	Nominal Voltage	VDC	+/-15 VDC	
	OUTPUT VDC ACCURACY	%	2%	@+/-14.7~+/-15.3Vdc @Vin=8~32Vdc
	Current	mA	200	
	Total Pwr	W	6	
	Efficiency	%	88 TYP	@Vin=24Vdc
	Line Regulation	%	$\pm 0.5\%$ MAX	At LL TO HL, Full Load
	Load Regulation	%	$\pm 0.5\%$ MAX	At 25%FL TO 100%FL
	Startup Time	ms	20 MAX	
	Ripple Noise	mVp-p	100mVp-p MAX	
	Temp Coefficient		0.03%/°C MAX	
	Short circuit protect	Type	Continuous/ Auto-recovery	
	Cooling		Convection	

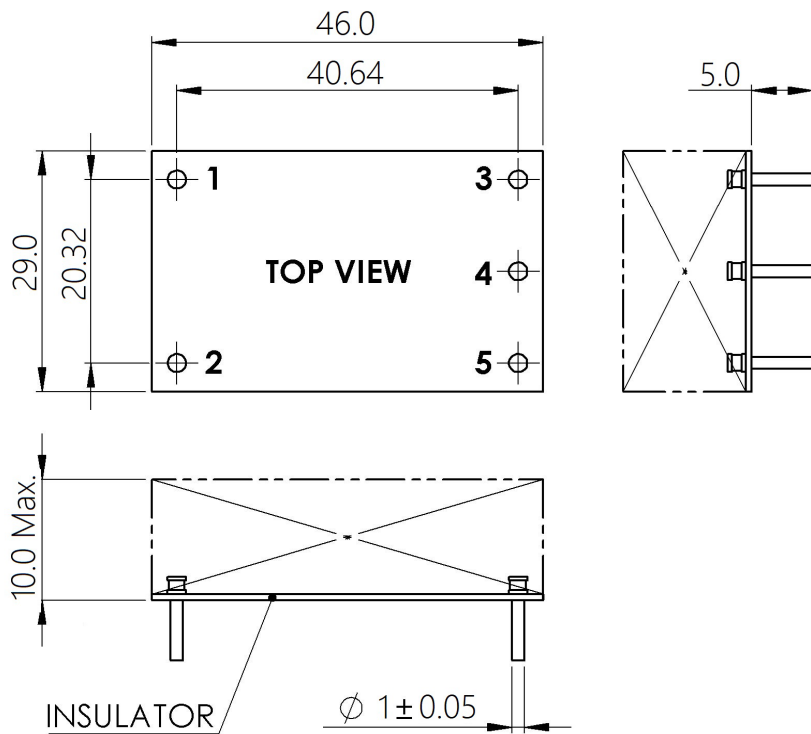
General Specifications





<b>ISOLATION</b>	<b>Voltage</b>	1500Vdc for 1 minute		
	<b>Resistance</b>	Min. 100 MΩ @ 500 Vdc		
	<b>Operating temp</b>	-20°C ~ +71°C		
<b>Environment</b>	<b>Storage</b>	-20°C ~ +85°C		
	<b>Vibration</b>	Mil-STD 202G		
	<b>Humidity</b>	90 %		
	<b>Switching Frequency</b>	75 kHz MIN		
<b>Dimension</b>	<b>WxL</b>	mm/g	46 W X 29 L X 10.4 H 9.2g	

## DIMENSIONS AND PINOUT



**Unit : mm**

**Tolerance : XX.X ± 0.5 , XX.XX ± 0.25**

### PIN Assignment

PIN	1	2	3	4	5
FUNCTION	+Vin	-Vin	+Vout	COM	-Vout

