

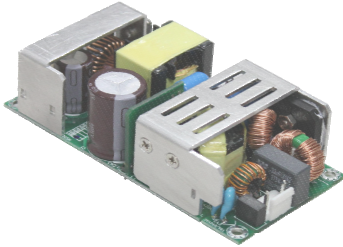


ETA-USA

The Power Professionals

ZWD100-SX-F-W5

100W



Features

- High Power Density, 100~150W in 2"x4" footprint
- 100 percent Hi Pot Tested
- 100 Watts convection cooling
- 150 Watts forced air cooling
- 2 year warranty



	MODEL/CHANNEL	Unit	ZWD100-12SX-F-W5	ZWD100-15SX-F-W5	ZWD100-19SX-F-W5	ZWD100-24SX-F-W5	ZWD100-28SX-F-W5	ZWD100-48SX-F-W5	
OUTPUT	Norminal Voltage	[V]	12	15	19	24	28	48	
	Norminal Current	[A]	8.33	6.66	5.26	4.15	3.57	2.07	
	Ripple & Noise Max	[mV]	150	150	190	240	300	300	
	Output Regulation	[A]	±5%					±2%	
	Hold Up Time	[ms]	>10ms typical at full load @ 115						
INPUT	Input Voltage Range	[V]	90-264VAC						
	Frequency	[A]	47-63Hz						
	Input Current(rms)	[%]	2A @ 90Vac; 1A @ 264Vac max.						
	Power factor	-	>0.9(115/230VAC, @100%Load)						
	Efficiency	%	>87% 115VAC at average load, 115/230VAC						
	Inrush Current	[A]	<45A peak @ 115VAC, 1.25@230VAC						
Environmental Agencies	Safety Standards	-	UL 60950-1	CSA 22.2-No. 950-1	Nemko EN60950	CB	IEC 60950-1		
	EMI Standards	-	FCC part 15 Class B	CISPR 22 Class B	EN 55022 Class B	EN 55022 CE			
Environment	Operating temp. & Humidity	-	0 to +60°C ; derate at 2.5% /°C from +41°C to +60°C (convection);						
	Storage temp. & Humidity	-	-10 °C to +85°C						
	Humidity	-	Non condensing 5-95%						
	MTBF demonstrated	-	>100,000 hours at full load and 25 °C ambient temperature						
	Short circuit protection	-	Auto Recover						
	Over Load Protection	-	105-160% Maximum Auto Recovery						
Dimension	Over Voltage Protection	-	Auto Recover						
	Size(WxHxD) / Weight	mm/g	L101.6xW50.8xH29mm (4"x2"x1.14")/Weight: 206g (0.46 lbs)						

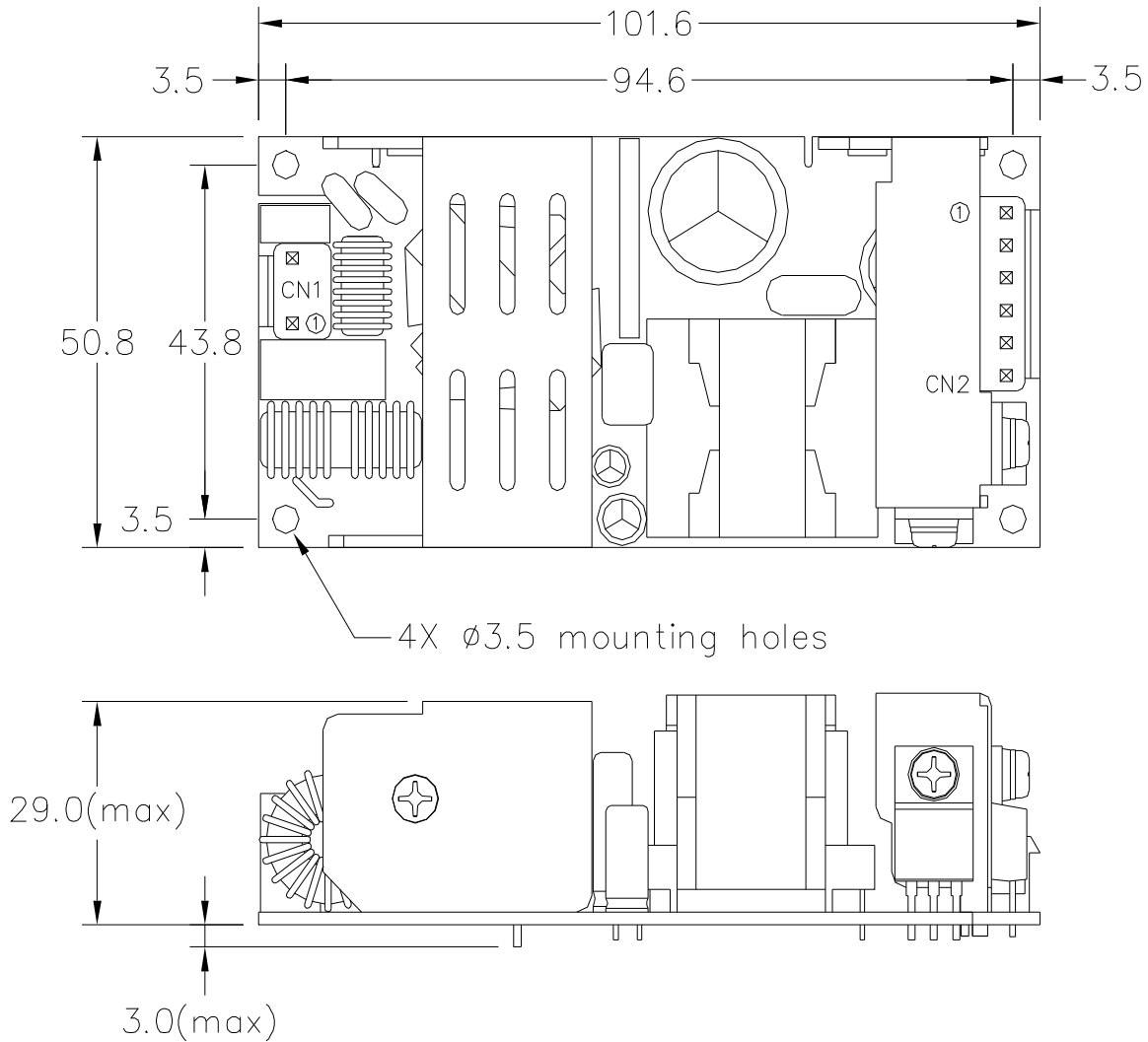


ETA-USA

16170 Vineyard Blvd. Suite 180 Morgan Hill, CA 95037 <http://www.eta-usa.com>
 Toll-free (US only): 800-ETA-POWR (800-382-7697) Telephone: 408 778-2793 FAX: 408-779-2753



Mechanical Specification



MATCHING CONNECTORS

CN1: Input Connector

JST B3P-VH-B pitch: 3.96mm or equivalent,
mates with JST VHR-3N or equivalent

Pin #	Signal
1	AC Neutral
2	AC Line

CN2: Output Connector

JST B6P-VH-B pitch: 3.96mm or equivalent,
mates with JST VHR-6N or equivalent

Pin #	Signal
1	GND
2	GND
3	GND
4	+Vo
5	+Vo
6	+Vo





Derating Curve

