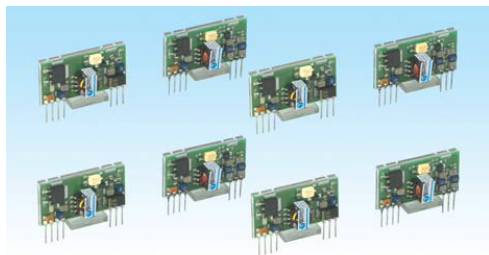




OTQ-SC/WC

3W Open Frame



FEATURES

- Compatibility type of PIN in the power supply unit market
- Realized wide range input (Ultra wide input)
- **Isolated Power Supply**



| MODEL/CHANNEL | | Unit | OTQ12SC-I | |
|---------------|-------------------------|------|---------------|-----|
| OUTPUT | Output Voltage | Vdc | 12 | |
| | Output Current | A | 0.26 | |
| | Line Regulation max. | mV | 60 | |
| | Load Regulation max. | mV | 60 | |
| | Dynamic Line | mV | 480 | |
| | Dynamic Load | mV | 480 | |
| | Voltage Tolerance | mV | 360 | |
| | Drift | mV | 75 | |
| | Ripple and Noise(max.) | mVp | 100 | |
| | Temperature Coefficient | - | 0.03%/°C Max. | |
| | Recovery Time | mS | 4~8 | |
| Rise Up Time | mS | 10 | | |
| MODEL/CHANNEL | | Unit | | |
| INPUT | Input Voltage | Vac | 12 | 24 |
| | No Load | mA | 22 | 22 |
| | Full Load | mA | 329 | 173 |
| | Line Back Noise | mVp | 500 | 300 |
| | Efficiency (typical) | % | 80 | 75 |
| | Input Voltage Range | Vdc | 8~32 | |





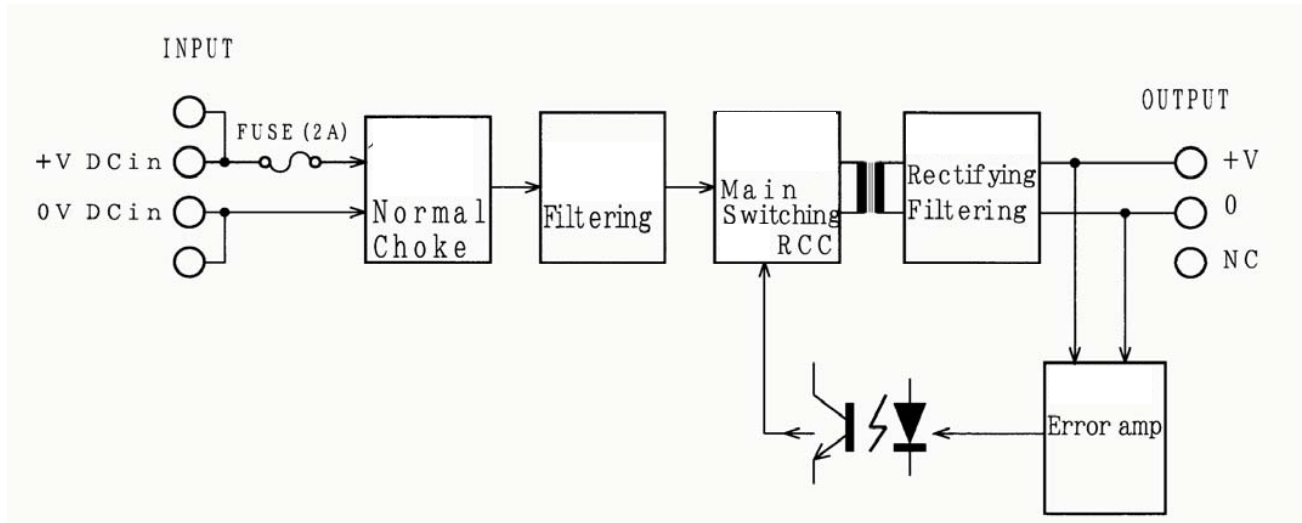
| MODEL/CHANNEL | | Unit | OTQ12 SC2448-I | |
|--------------------|------------------------|------|--|-----------|
| INPUT | Input Voltage | Vdc | 24 | 48 |
| | Input Range No Load | mA | 12 | 14 |
| | Input Range Full Load | mA | 162 | 86 |
| | Efficiency (typical) | % | 80 | 74 |
| | Line Back Noise | mVp | 400 | |
| | Input Voltage Range | Vdc | 18~72 | |
| Environment | Operating Temperature | °C | -20 < ta ≤ 70°C Rated Output/70 < Ta ≤ 80°C Decrease Output Current 3.5%/°C) | |
| | Operating Humidity | % | 20~90%RH | |
| | Storage Temperature | °C | -20~85°C | |
| | Storage Humidity | % | 20~90%RH | |
| | Withstanding Voltage | - | Primary-Secondary AC500V, 1 min. | |
| | Isolation Voltage | - | Primary-Secondary 100MΩ(at DC500V) | |
| | Shock | - | 294m/s ² | |
| | Cooling | - | Convection Cooling | |
| | Vibration | - | 5~10Hz 10mm, 10~55Hz 19.6m/s ² 20 minute/cycle X,Y,Z Each Axes 0.5h | |
| Function | Frequency | - | 150K~1M Hz(at input 8~32V, Output 0~100%) | |
| | Overcurrent Protection | - | Built In | |
| | Input Fuse | - | Built In (2A) | |
| | MTBF | H | 1,600,000 | 1,430,000 |
| Dimension | Size(WxHxD) / Weight | mm/g | 9Wx36Dx19.5H/5g | |





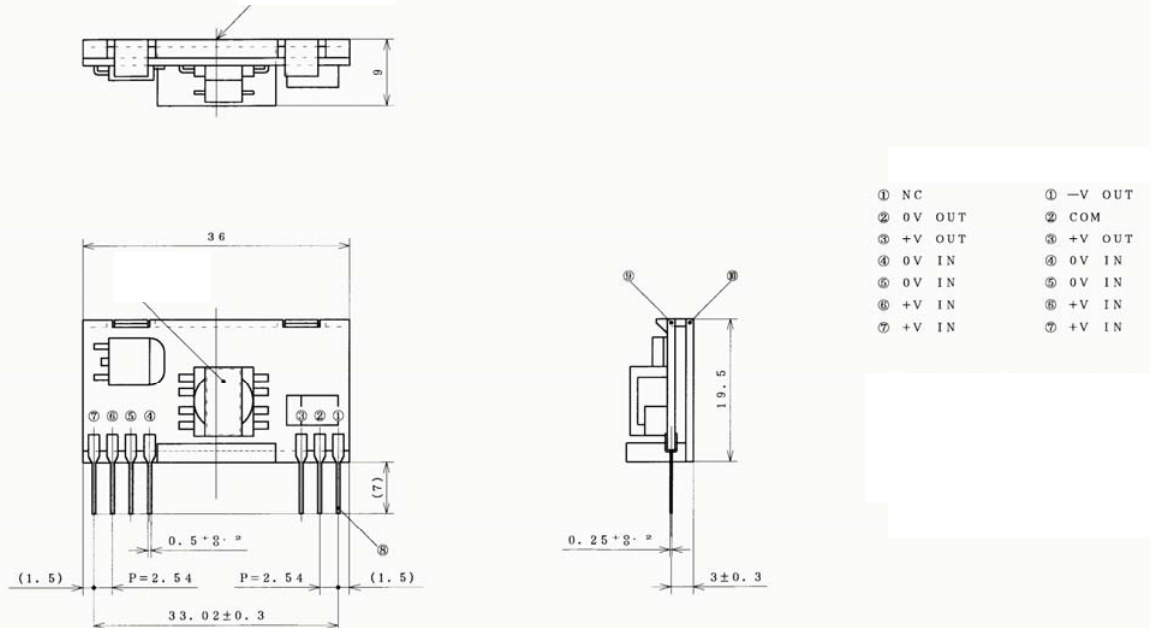
Derating Diagram

3W Open Frame



Dimension Diagram (mm)

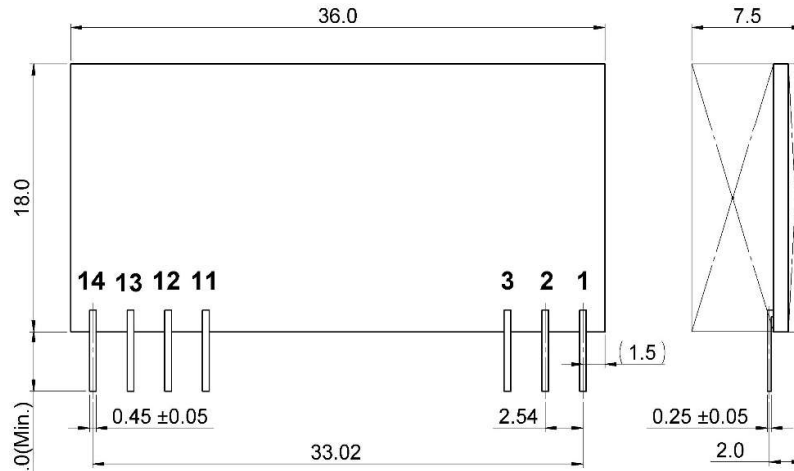
3W Open Frame





Outline Dimensions

3W Open Frame



PIN Assignment

| PIN | 1 | 2 | 3 | 11 | 12 | 13 | 14 |
|----------|----|-------------------|-------------------|------------------|------------------|------------------|------------------|
| FUNCTION | NC | -V _{out} | +V _{out} | -V _{in} | -V _{in} | +V _{in} | +V _{in} |

Temperature Derating Graph

3W Open Frame

