



AOLL1-300

300W Exterior LED Driver



AOLL1-300

FEATURES:

- Universal AC input 90~264 VAC
- Built in active PFC
- IP66 or IP67 for damp locations designed for outdoor use
- Wide Temp -40 ~ +70°C range
- Adjustable output voltage and current
- UL 8750 safety (Pending)**
- Warranty: 4 years**
- Output voltage and constant current level can be adjusted through potential meter.
- Constant current level adjustable through output cable with 1~10Vdc.

CE Pending

	MODEL/CHANNEL	Unit	AOLL1-240-12 AD	AOLL1-240-24 AD	AOLL1-240-48 AD
OUTPUT	Norminal Voltage	[V]	12	24	48
	Setting Voltage Range	[V]	11.8 ~ 12.1	23.7 ~ 24.3	47.5 ~ 48.5
	Voltage ADJ. Range *note1	[V]	10.8 ~ 13.5	22.0 ~ 27.0	43.0 ~ 53.0
	Norminal Current	[A]	16.0	10.0	5.0
	Current ADJ. Range *note1	[A]	10 ~ 20	6.25 ~ 12.5	3.12 ~ 6.25
	Line Regulation	[mV]	120	120	240
	Load Regulation	[mV]	120	120	240
	Temperature Drift	[mV]	180	360	720
	Ripple Max.	[mV]	120	120	150
	Ripple & Noise Max 1.	[mV]	150	150	250
	Ripple & Noise Max 2. *note2	[mV]	600	600	800
	Turn-on Time Typ.	[ms]	1000 (AC IN 100V, Io=100%)		
Hold-up Time Typ.	[ms]	17 (AC IN 100V, Io=100%)			
INPUT	Typ. Voltage, Frequency	[V]	AC100 - 240(AC 90-264, 50/60Hz(47 - 63) or DC127-370V (Universal Input))		
	Current Typ.	110V	4.0	4.0	4.0
		220V	2.5	2.5	2.5
	Efficiency Typ.	110V	86	88	90
		220V	89	91	92
	Power factor Typ.	110V	0.99	0.99	0.99
		220V	0.98	0.98	0.98
Inrush Current Typ.	110V 220V	[A]	25 (Ta=25°C , Cold Start) 50 (Ta=25°C , Cold Start)		
Leakage Current Max.	110V	[mA]	3.5		
	220V	[mA]	3.5		
Function	Over Voltage Protection	-	110% ~ 160% of rating		
	Over Current Protection[Blank,D]	-	95 ~ 110 %	95 ~ 110 %	95 ~ 110 %
	Over Current Protection[A,AD]	-	50 ~ 100 %	50 ~ 100 %	50 ~ 100 %
	Short Circuit	-	Constant current limiting, recovers automatically after fault condition is removed		
	Cooling / O.T.P	-	Convection/Optional		
Electrical Isolation	(1) Input - Output	-	AC 3.0KV 1min, cut-off: 20mA / DC 500V 100MΩ		
	(2) Input - F.G	-	AC 2.0KV 1min, cut-off: 20mA / DC 500V 100MΩ		
	(3) Output - F.G	-	AC 0.5KV 1min, cut-off:100mA / DC 500V 100MΩ		
Environment	Operating temp. & Humidity	-	-40 ~ +70°C(Required Derating), 20 ~ 90%RH (Non Condensing)		
	Storage temp. & Humidity	-	-40 ~ +75°C, 20 ~ 90% RH (Non Condensing)		
	Vibration	-	10~55Hz at 1G 3minutes period, 30minutes along X,Y and Z axis		
Dimension	Size(WxHxD) / Weight	mm/g	68 x39 x 222	/	1280
Safety	-	-	CE Built to meet UL8750		
Emission	Conducted Emission	-	Built to meet EN55015		

*note1 : Type A,AD only

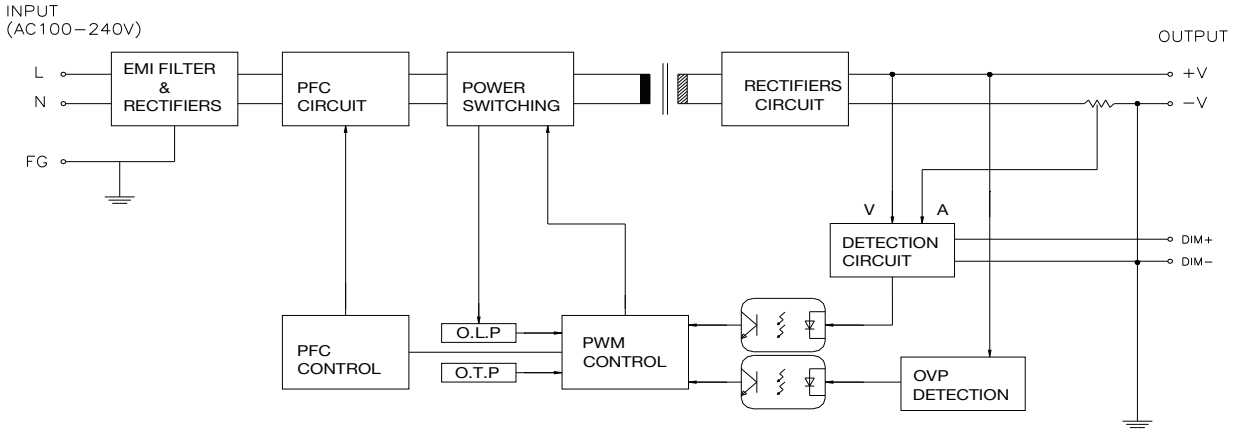
*note2 : Frequency 50/60Hz



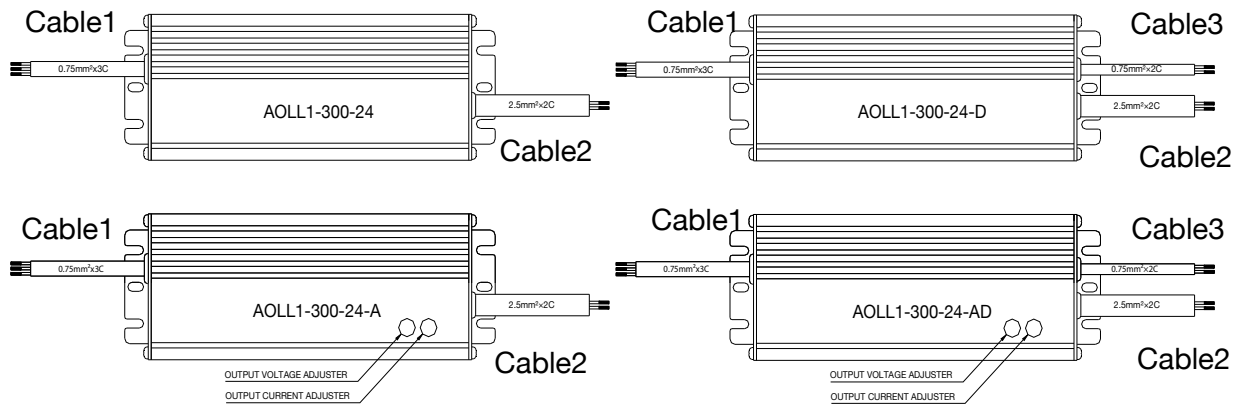
AOLL1-300

300W Exterior LED Driver

1. BLOCK DIAGRAM



2. Terminal Connection



	Cable Type	Wire Color	Terminal
Cable1	60227 0.75mm ² X 3C	BROWN	AC (L)
		SKY BLUE	AC (N)
		YELLOW/GREEN	FG
Cable2	60227 2.5mm ² X 2C	BROWN	Output +
		SKY BLUE	Output -
Cable3	60227 0.75mm ² X 2C	BROWN	Dimming +
		SKY BLUE	Dimming -

* Size and Type for cable subject to change

* Cable3 applies to D and AD type only



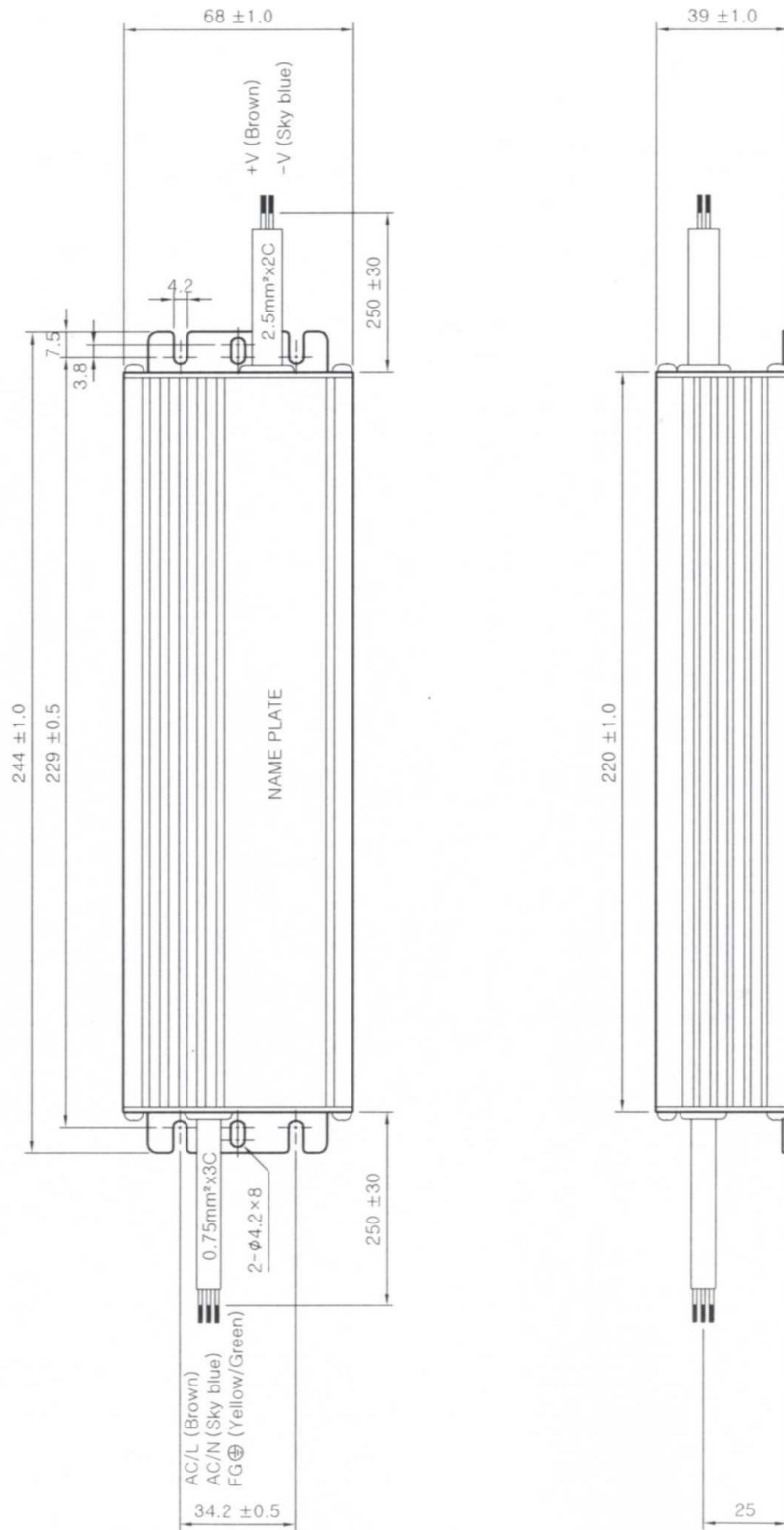
ETA-USA

The Power Professionals

AOLL1-300

300W Exterior LED Driver

Dimensions



- * Weight : 1.3kg
- * Tolerance : ± 1
- * Dimensions in mm



ETA-USA

16170 Vineyard Blvd. Suite 180 Morgan Hill, CA 95037 <http://www.eta-usa.com>

Toll-free (US only): 800-ETA-POWR (800-382-7697) Telephone: 408 778-2793 FAX: 408-779-2753



ETA-USA

The Power Professionals

AOLL1-300

300W Exterior LED Driver

Ambient Temperature Derating Curve

Output derating curve as follow when input voltage range is AC100~264V.



ETA-USA

16170 Vineyard Blvd. Suite 180 Morgan Hill, CA 95037 <http://www.eta-usa.com>
Toll-free (US only): 800-ETA-POWR (800-382-7697) Telephone: 408 778-2793 FAX: 408-779-2753

©2014 ETA-USA All Rights Reserved

ETA-USA reserves the right to make changes to the products and specifications without prior notice. Please contact the factory for latest information.