



## DTL65-SX-WL6

## 65W



### FEATURES:

- 3-pole IEC320-C6 and 2-pole C8 AC inlet available
- Meet Efficiency level VI & Erp Tier 2 requirements
- No load Power consumption < 150mW
- Power on LED indicator
- 3 year warranty
- LPS



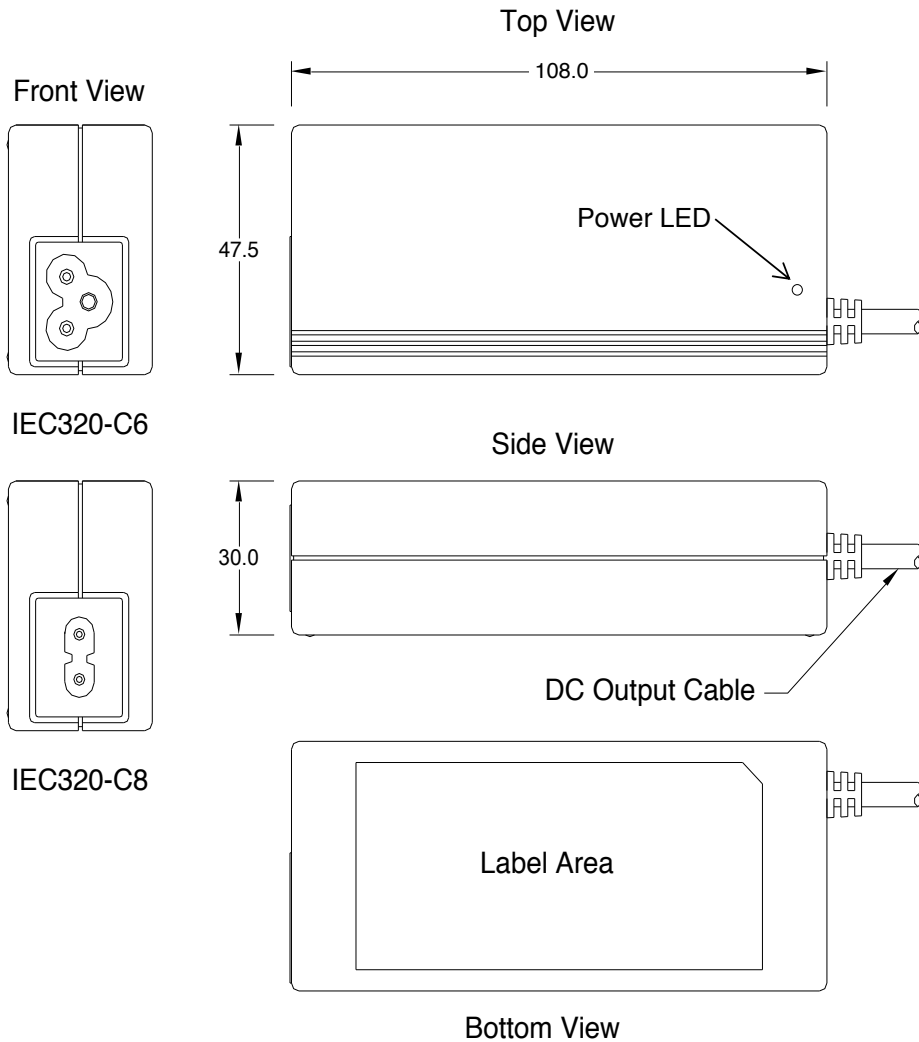
MODEL/CHANNEL		Unit	DTL65-12 SX-WL6	DTL65-15 SX-WL6	DTL65-19 SX-WL6	DTL65-24 SX-WL6	DTL65-28 SX-WL6	DTL65-48 SX-WL6
<b>OUTPUT</b>	Output Voltage	Vdc	12	15	19	24	28	48
	Output Current	A	5	4	3.42	2.71	2.32	1.35
	LPS (Limit Power Sources)	-	√	√	√	√	√	√
	O/P Regulation	%	±5%			±3%		
	PO	W	60W			65W		
	Ripple & Noise(max) *3	mV	150mV					
<b>INPUT</b>	Input Voltage	Vac	90 - 264VAC					
	Input Current	A	2A @90VAC; 1A @264VAC max.					
	Input Frequency	Hz	47 - 63Hz					
	Inrush Current	-	< 45A peak @115VAC; < 90A peak @230VAC cold start @25°C					
	Efficiency (typical) *2	mA	> 89% @average Load, 115/230VAC					
	Hold On Time	-	> 10ms typical @full load, 115VAC					
<b>Protection</b>	Over Load Protection	-	Auto-recovery					
	Over Voltage Protection	-	Latch off					
	Short circuit protection	-	Auto-recovery					
<b>Environmental Agencies</b>	Safety	-	UL 60950-1	CSA C22.2-No.60950-1	TUV EN60950-1	CB IEC 60950-1		
	EMC Standards	-	FCC Class B	CISPR22 Class B	EN 55032 Class B		CE	
	MTBF	-	> 200,000 hours at full load and 25°C ambient temperature					
<b>Environment</b>	Operating Temperature	-	-20 to +70°C (Derate linearly 2.5% per °C from 41 to 70°C)					
	Operating Humidity	-	10% ~ 90%					
	Storage Temperature	-	-20°C to +85°C					
<b>Dimension</b>	Size(WxHxD) / Weight	mm/g	L108 x W47.5 x H30 mm / 235 gs					





## MECHANICAL DIMENSIONS

65W



- Note:
1. AC Inlet : IEC320-C6 or IEC320-C8
  2. Plastic Case Color : Black
  3. Tolerance :  $\pm 0.5\text{mm}$
  4. Unit : mm

