



WRT-X-O

25W & 30W Power Supply



FEATURES

- Universal Input
- Compact design with Inrush Current protection
- Triple Output
- UL CE recognized
- **Warranty: 2 years**

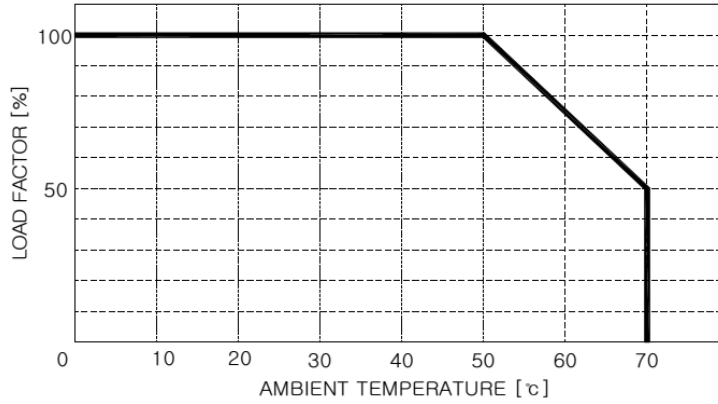


MODEL/CHANNEL		Unit	WRT01X-O			WRT04X-O		
OUTPUT	Norminal Voltage	V	5	12	12	5	15	15
	Current	A	0.3~3	1	0.3	0.3~3	0.8	0.2
	Line Regulations	mV	25	120	120	25	150	150
	Load Regulations	mV	50	120	120	50	150	150
	Temperature Drift	mV	75	180	180	75	225	225
	Ripple Max.	mV	80	120	120	80	120	120
	Ripple & Noise Max.	mV	120	150	150	120	150	150
	Efficiency	%	71					
	Rise Time	mS	800 max [AC IN 110V/220V Io=100%]					
	Holding Time	mS	16 typ [AC IN 110V/220V, Io=100%]					
INPUT	Current	A	0.65 at 110V; .035 at 220V (Io=100%)					
	Voltage, Frequency	V	AC100V-240V (AC85V~264V or DC125V~370V), 50/60Hz (47 ~ 440Hz) Universal Input voltage					
	Inrush Current	A	20A typ (AC IN 110V, Io=100%), 40A typ (AC IN 220V, Io=100%) at cold start					
	Leakage	mA	0.75					
Function	Over Voltage Protection	V	Works at 115~120% of rating					
	Over Current Protection	A	Works at 105% over rated current and recovers automatically					
Electrical Isolation	(1) Input - Output	-	AC 3,000V 1 minute current 20mA, DC 500V 100MΩ (At room temperature & Humidity)					
	(2) Input - F.G	-	AC 2,000V 1 minute current 20mA, DC 500V 100MΩ (At room temperature & Humidity)					
	(3) Output - F.G	-	AC 500V 1 minute current 100mA, DC 500V 100MΩ (At room temperature & Humidity)					
Environment	Operating temp. & Humidity	-	-10~ +70°C, 20~90% RH(Non condensing)					
	Storage temp. & Humidity	-	-20~ +75°C, 20~90% RH(Non condensing)					
	Vibration	-	10~55Hz at 1G, 3 minutes period, 30 minutes along X, Y and Z axis					
	Impact	-	10G for 20 ms once on each X, Y and Z axis					
	Safety	-	IEC 60950-1					
	Line Conducted	-	EN55022-A					
Dimension	Size(LxWxH)/Weight	mm/g	82x120x31.5/290					

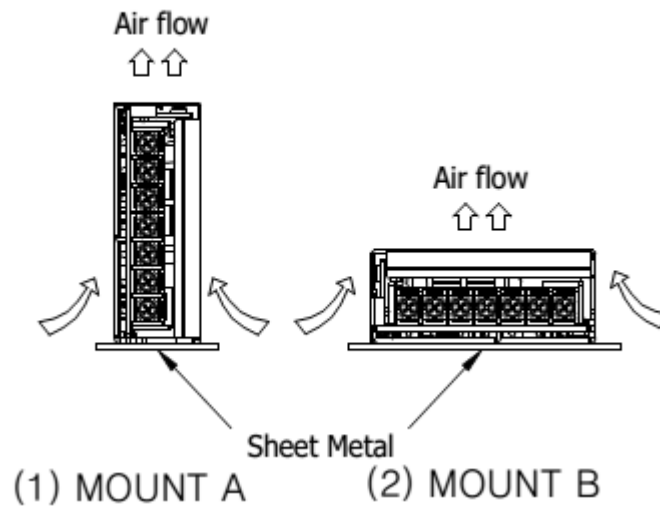




Derating Curve

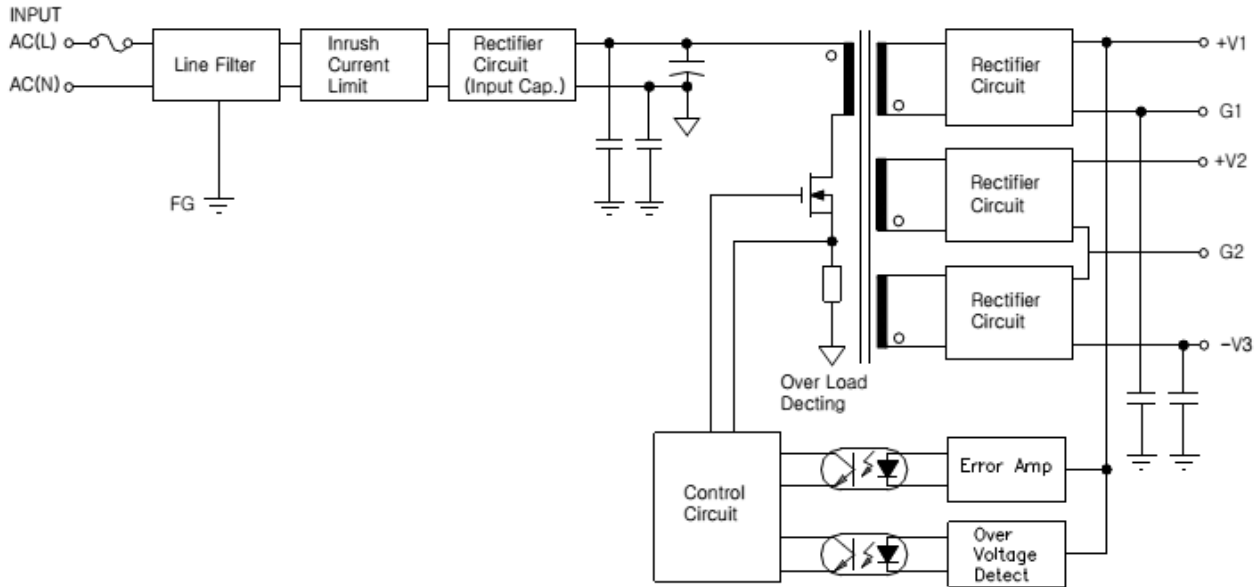


Mounting Diagram





Block Diagram



Mechanical Drawings

